

DOWNLIGHT



MATERIAL

Aluminum, Electrostatic Powder Coating
REFLECTOR: PC (Vacuum Coating)

STANDARD COLORS

FLANGE: White, Gray, Black
TRIM: White, Silver, Gold, Black

SOURCE INFORMATION

WATTAGE	7W
INPUT VOLTAGE	120VAC-277VAC
CRI	90
COLOR TEMP	2700K/3000K/3500K/4000K
OPERATING TEMP	-4 to +104 °F

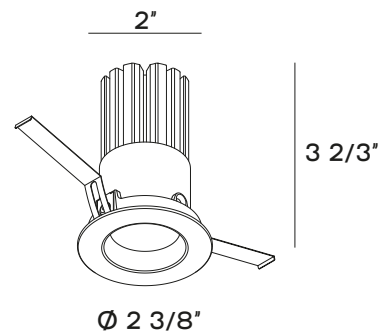
TYPE OF LED

COB

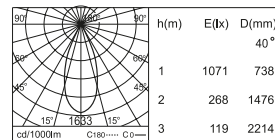
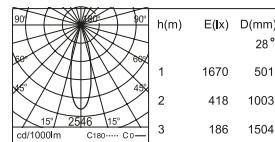
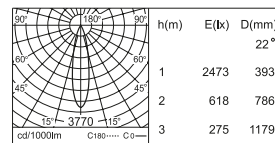
WARRANTY

50 000 hours at 77 °F

DIMENSIONS



PHOTOMETRICS



Fixture type:

Job information:

PRODUCT DEFINITION SHEET



1	2	3	4	5	6	7
8	9	10	11	12	13	

1	2	3	4	5	6
SERIES	WATTAGE	LIGHT DISTRIBUTION	HOUSING TYPE	BEAM ANGLE	LUMEN OUTPUT
<input type="checkbox"/> APR	<input type="checkbox"/> 7W	<input type="checkbox"/> DI Direct	<input type="checkbox"/> TWF Trim With Flange	<input type="checkbox"/> 22° <input type="checkbox"/> 28° <input type="checkbox"/> 40°	<input type="checkbox"/> 480 lm <input type="checkbox"/> 440 lm <input type="checkbox"/> 450 lm

7	8	9	10
TRIM COLOR	FLANGE COLOR	COLOR TEMP	MOUNTING
<input type="checkbox"/> W White <input type="checkbox"/> S Silver <input type="checkbox"/> G Gold <input type="checkbox"/> B Black	<input type="checkbox"/> W White <input type="checkbox"/> G Grey <input type="checkbox"/> B Black	<input checked="" type="checkbox"/> 90 CRI <input type="checkbox"/> 27K <input type="checkbox"/> 30K <input type="checkbox"/> 35K <input type="checkbox"/> 40K	<input type="checkbox"/> RM Recessed mount

11	12	13
DRIVER	DRIVER LOCATION	VOLTAGE
<input type="checkbox"/> V010 0-10V Universal Voltage Driver	<input type="checkbox"/> IC BOX	<input type="checkbox"/> UNIV 120VAC-277 VAC

For other dimming options contact Mercury

IC BOX

