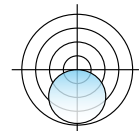


MLS-CONTOUR

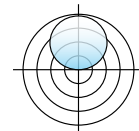
SURFACE AND PENDANT MOUNT



The Mercury Lighting CONTOUR series showcases specificable, modern arcs in recessed and pendant versions. The fluid shapes offer soft, even lighting, ideal for architectural settings.



Direct
opal diffuser



Indirect
opal diffuser

MATERIAL

Extruded aluminum / powder coat finish

STANDARD COLORS

White / Black / Gray

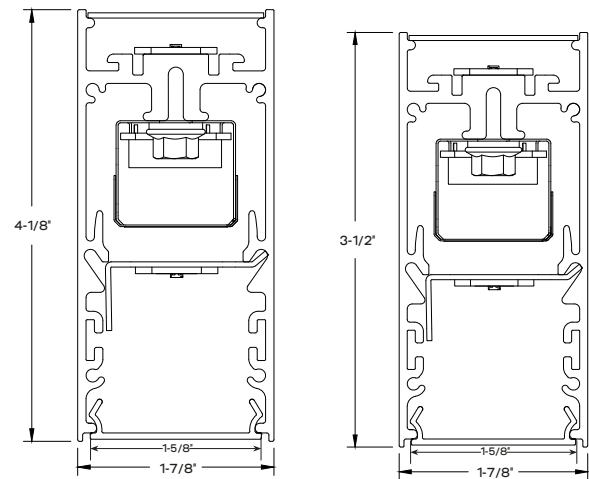
SPECIFICATIONS

Lumens	400-750 lm/feet
CRI	90
Voltage	120-277V
Rating	IP20

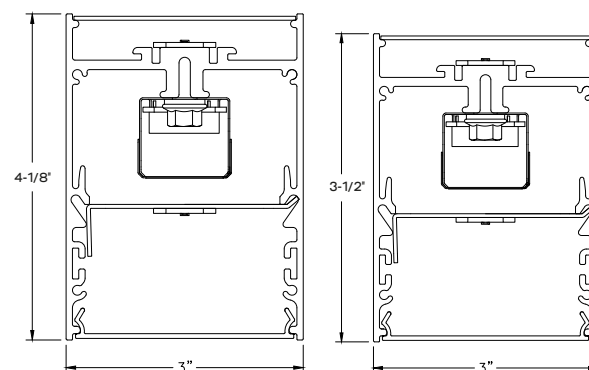
Fixture type:	Job information:
<input type="text"/>	<input type="text"/>

DIMENSIONS

MLS2-CTR



MLS3-CTR



MLS-CONTOUR

SURFACE AND PENDANT MOUNT



CATALOG NUMBERS



1	2	3	4	5	6
SERIES	MOUNTING	RADII	LUMENS/FT DIRECT	LUMENS/FT INDIRECT	COLOR TEMP
<input type="checkbox"/> MLS2-CTR <input type="checkbox"/> MLS3-CTR	<input type="checkbox"/> DI Direct/Indirect Suspended <input type="checkbox"/> D Direct Suspended	<input type="checkbox"/> RII Specify pattern on page 3	<input type="checkbox"/> C Custom Custom Lumen Packages. Lumen Packages with ASO diffuser. Contact Mercury Lighting.	<input type="checkbox"/> C Custom Custom Lumen Packages. Lumen Packages with ASO diffuser. Contact Factory.	90 CRI <input type="checkbox"/> 30K <input type="checkbox"/> 35K <input type="checkbox"/> 40K

7	8	9	10	11
DIFFUSER DIRECT	DIFFUSER INDIRECT	DRIVER	FINISH	HANGING ACCESSORIES
<input type="checkbox"/> ASO Opal	<input type="checkbox"/> ASO Opal	<input type="checkbox"/> 1% 0-10V 1% Dimming <input type="checkbox"/> SR Sensor Ready (Required for Certain Controls, Contact Factory) <input type="checkbox"/> eL eldoLED Solo 0.1% <input type="checkbox"/> LDE1 Lutron Hi- Lume <input type="checkbox"/> - As Specified	<input type="checkbox"/> W White <input type="checkbox"/> B Black <input type="checkbox"/> G Gray <input type="checkbox"/> C Custom Custom powder coat color matching is available for a setup fee. Consult Mercury Lighting for additional information.	<input type="checkbox"/> R5PF-100 Round 5" power feed canopy <input type="checkbox"/> S5PF100 Square 5" power feed canopy <input type="checkbox"/> R5-100 Round 5" canopy <input type="checkbox"/> R2-100 Round 2" canopy <input type="checkbox"/> S5-100 Square 5" canopy <input type="checkbox"/> S2-100 Square 2" canopy <input type="checkbox"/> RP5-24 Round 5"canopy <input type="checkbox"/> SP5-24 Square 5"canopy

OPTIONS

12	13	14	15
CIRCUITING	VOLTAGE	STANDBY MODULES	SENSORS
<input type="checkbox"/> 1C Single Circuit <input type="checkbox"/> 2C Two Circuit Contact Mercury for adding additional zones, separated zones/circuits, etc	<input type="checkbox"/> UNIV 120VAC-277 VAC	<input type="checkbox"/> EM10 <input type="checkbox"/> EM12 <input type="checkbox"/> NO OPTION	<input type="checkbox"/> S1 Philips EasySense (SNS 210- Blue Tooth) <input type="checkbox"/> S11 Enlighted Micro (SU5ECL) <input type="checkbox"/> S12 Lutron Athena Node (Color-White) <input type="checkbox"/> S13 Lutron Athena Node (Color-Black) <input type="checkbox"/> S14 Lutron Athena Sensor (Color-White) <input type="checkbox"/> S15 Lutron Athena Sensor (Color-Black) <input type="checkbox"/> 017 Leviton PIR ZLS05-ILW

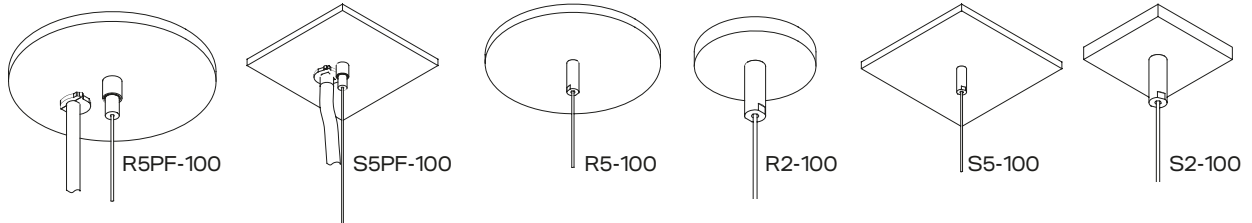
PATTERN CONFIGURATOR

Use grid below to sketch desired pattern

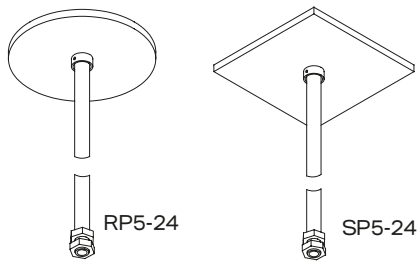


HANGING ACCESSORIES

CABLE SETS



STEM SETS



PART #	DESCRIPTION
R5PF-100	Round 5' power feed canopy, Hanging hardware, 100" long 1/16" cable.
S5PF100	Square 5' power feed canopy, Hanging hardware, 100" long 1/16" cable.
R5-100	Round 5' canopy, Hanging hardware, 100" long 1/16" cable.
R2-100	Round 2' canopy, Hanging hardware, 100" long 1/16" cable.
S5-100	Square 5' canopy, Hanging hardware, 100" long 1/16" cable.
S2-100	Square 2' canopy, Hanging hardware, 100" long 1/16" cable.
RP5-24	Round 5' canopy, Hanging hardware, 24" long 1/2" dia. stem.
SP5-24	Square 5' canopy, Hanging hardware, 24" long 1/2" dia. stem.

Other cable and stem lengths available. Consult factory.