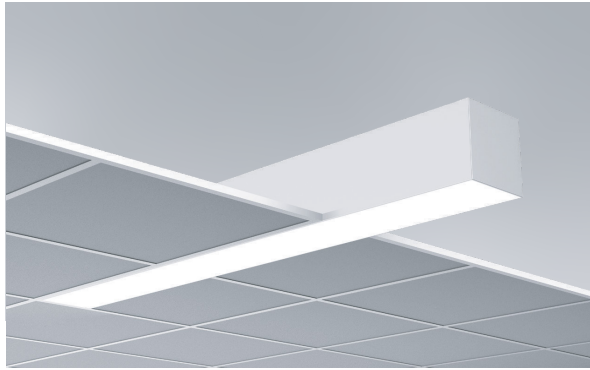
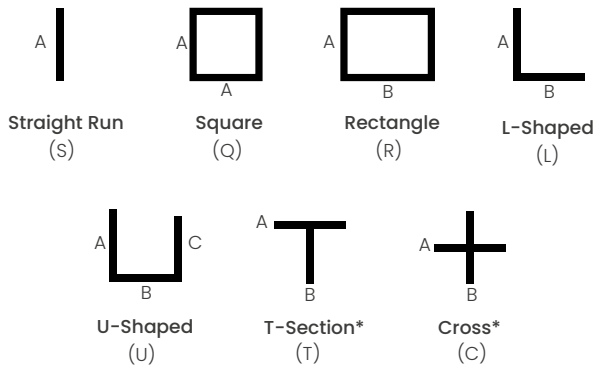


MLS4

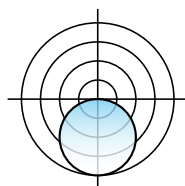
RECESSED MOUNT FOR 4" - OC GRID CEILINGS



SHAPES/PATTERNS



*Please consult factory to confirm design and layout will comply with specified ceiling
 For other shapes/patterns/runs consult the factory.



Direct diffuser
HTA/ASO



Fixture type:	Job information:
<input type="text"/>	<input type="text"/>

FEATURES

- Extruded aluminum housing.
- Narrow 4" wide profile on-center grid ceilings.
- Linear lengths of 2-ft and above in increments of one-inch.
- Custom formulated high diffusion extruded acrylic lens.
- Non-glare matte-white polyester powder coating finish.
- Continuous dimming capability down to 1% on 0-10V controls.
- Compatible with various grid ceiling types.
- Cataloged standard or custom set lumens-per-foot performances.
- 80 CRI standard. 90 CRI available.
- IC Rated.
- CCEA option available.
- Fixture lumens per watt ratios up to 121.
- Tunable white feature optional.
- Lighting controls and sensors.
- American Made.
- Lightning Program eligible (ships in 15 days or less): See ordering data for options

PERFORMANCE - HTA

Based on 4Ft. Module, 3500K, 80 CRI, HTA diffuser-Signify LV6 LED Boards.

Lumens per Foot (LF)	Delivered Lumens (L)	System Watts (W)	Lumens per Watt (LPW)
400	1600	13.2	121
500	2000	16.5	121
625	2500	20.8	120
825	3300	28.1	117
950	3800	32.7	116
1100	4400	38.5	114

Actual performance may differ by +/- 5% when operating between 120V-277V +/- 10%. Consult Factory for 90 CRI performances.

Multiplier for other Color Temp (k)
 3000K 97%
 3500K 100%
 4000K 102%
 5000K 103%



PERFORMANCE - ASO

Based on 4Ft. Module, 3500K, 80 CRI, ASO diffuser-Signify LV6 LED Boards.

Lumens per Foot (LF)	Delivered Lumens (L)	System Watts (W)	Lumens per Watt (LPW)
400	1600	16.3	98
500	2000	20.6	97
625	2500	26.2	95
950	3800	42.2	90

Actual performance may differ by +/- 5% when operating between 120V-277V +/- 10%. Consult Factory for 90 CRI performances.

Multiplier for other Color Temp (k)
 3000K 97%
 3500K 100%
 4000K 102%
 5000K 103%



PRODUCT DEFINITION SHEET

All options highlighted in **BLUE** are eligible for **Lightning Program** (same quality product, shipped in 15 days or less)

Ex: **MLS4-G9-144-S18-950-35K-ASO-1-U-EM12-BABA-SR-AU**



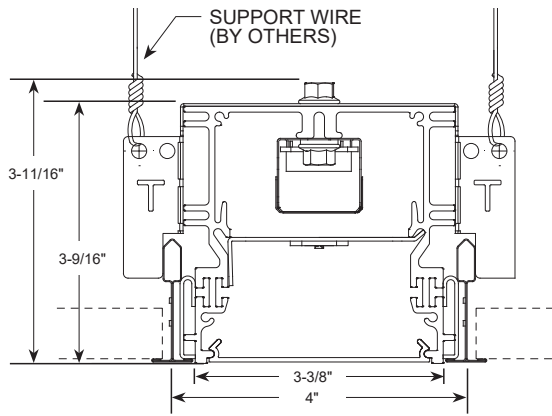
1	2	3	4
SERIES	MOUNTING	LENGTH	SHAPE (ENTER LENGTH IN PRODUCT CODE ABOVE)
<input type="checkbox"/> MLS4 LightStreams <input type="checkbox"/> LP-MLS4 Lightning Program	<input type="checkbox"/> G9 Grid 9/16" flat T grid <input type="checkbox"/> G15 Grid 15/16" flat T grid <input type="checkbox"/> S Screw Slot <input type="checkbox"/> SI 9/16" Interlude <input type="checkbox"/> T9 9/16" Tegular <input type="checkbox"/> T15 15/16" Tegular	<input type="checkbox"/> 48 48" Length <input type="checkbox"/> 96 96" Length <input type="checkbox"/> 144 144" Length Custom or Row Length. 24" and above in 1" Increments. Ex. in inches: 82, 384, etc.	<input type="checkbox"/> S ___ Individual/Straight Run Section (enter length, ex. S18) <input type="checkbox"/> Q ___ Square Configuration (enter side length A, ex. Q18) <input type="checkbox"/> R ___/___ Rectangular Configuration (enter side lengths A and B, ex. R12/24) <input type="checkbox"/> L ___/___ L-Shaped Configuration (enter side lengths A and B, ex. L12/24) <input type="checkbox"/> U ___/___/___ U-Shaped Configuration (enter side lengths A, B, and C, ex. U12/12/24) <input type="checkbox"/> T ___/___ T-Section* (enter side lengths A and B, ex. T12/24) <input type="checkbox"/> C ___/___ Cross Configuration* (enter side lengths A and B, ex. C12/24)

All corners of shape must be 90°, same plane.
 Lengths greater than 8" consist of multiple individual housing sections joined together. Lengths are nominal and may vary based on lamping and other specification selections.
 Consult Mercury when exact lengths are required.
 Consult factory for corners other than 90°
 *Please consult factory to confirm design and layout will comply with specified ceiling

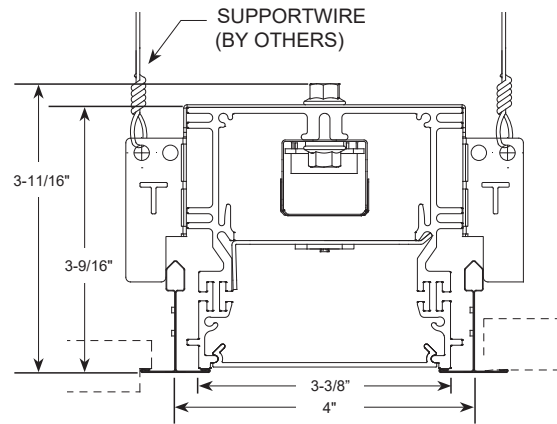
OPTIONS					
5	6	7	8	9	10
LUMENS/FT	COLOR TEMP-CCT	DIFFUSER	DRIVER	VOLTAGE	STANDBY MODULES
HTA <input type="checkbox"/> 400 <input type="checkbox"/> 500 <input type="checkbox"/> 625 <input type="checkbox"/> 825 <input type="checkbox"/> 950 <input type="checkbox"/> 1100 ASO <input type="checkbox"/> 400 <input type="checkbox"/> 500 <input type="checkbox"/> 625 <input type="checkbox"/> 950 Custom Lumen Packages.	80 CRI <input type="checkbox"/> 30K 3000K <input type="checkbox"/> 35K 3500K <input type="checkbox"/> 40K 4000K <input type="checkbox"/> 50K 5000K Upon request <input type="checkbox"/> TW Tunable White 2700K-6500K 90 CRI <input type="checkbox"/> 927K 2700K <input type="checkbox"/> 930K 3000K <input type="checkbox"/> 935K 3500K <input type="checkbox"/> 940K 4000K	<input type="checkbox"/> HTA High Transmission Acrylic <input type="checkbox"/> ASO Acrylic Smooth Opal (Performance is reduced with this diffuser)	<input type="checkbox"/> 1 0-10V 1% Dimming <input type="checkbox"/> 1DD 0-10% Dimming Dim to Dark <input type="checkbox"/> eL eidoLED Solo 0.1% <input type="checkbox"/> LDE1 Lutron Hi- Lume <input type="checkbox"/> - As Specified	<input type="checkbox"/> U Uni 120-277V <input type="checkbox"/> 1 120V <input type="checkbox"/> 7 277V Please verify at the time of release if 120V or 277V is required. Although drivers are universal voltage, a specific voltage is required to determine amp draw as well as voltage specific flexes and/or plug thrus as needed.	<input type="checkbox"/> EM10 Emergency Battery 10W <input type="checkbox"/> EM12 Emergency Battery 12W <input type="checkbox"/> NO OPTION Available in modules of 4-ft. and longer.

OPTIONS			
11	12	13	
MISC.	SENSOR READY	LIGHTING CONTROLS	CUSTOM PAINT COLORS
<input type="checkbox"/> WL UL "Suitable for Wet Locations" labeled <input type="checkbox"/> CCEA Meets the City of Chicago Environmental Air specifications. <input type="checkbox"/> BABA Consult factory.	<input type="checkbox"/> SR Sensor Ready Required for Certain Controls, Contact Mercury Lighting	<input type="checkbox"/> AU Autani <input type="checkbox"/> AVI Avi-On <input type="checkbox"/> CA Casambi <input type="checkbox"/> LV Leviton <input type="checkbox"/> LT Lutron <input type="checkbox"/> NL nLight <input type="checkbox"/> PS Philips/Signify <input type="checkbox"/> WA Wattstopper <input type="checkbox"/> CU Current nx <input type="checkbox"/> NO No option	<input type="checkbox"/> As Specified Consult Mercury Lighting for further information and other options. Mercury should be notified if the controls are to be Wireless, Networked Lighting Controls, 0-10V Dimming, DMX, etc. If controls aren't specified, the fixture ships 0-10V, 1% dimming, unified D/I control.

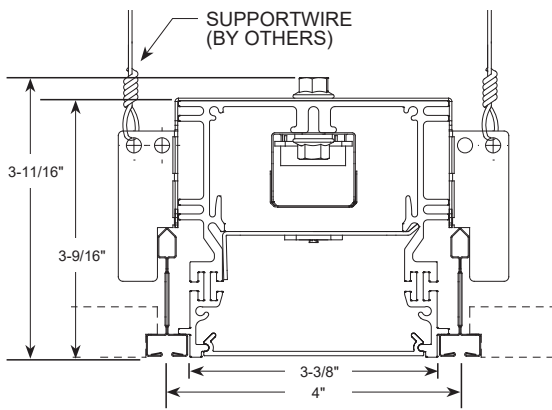
MOUNTING



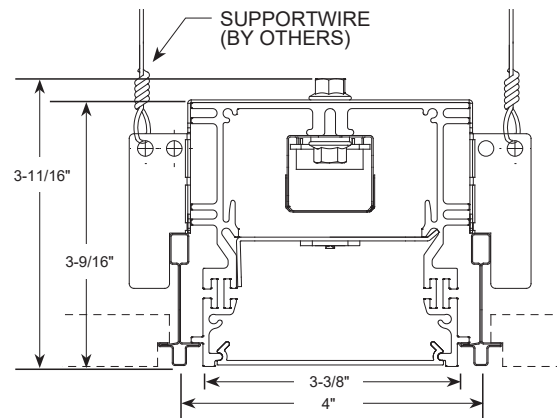
G9
 Grid 9/16" flat T grid



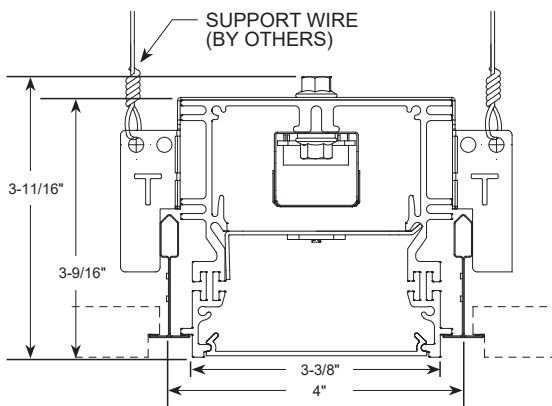
G15
 Grid 15/16" flat T grid



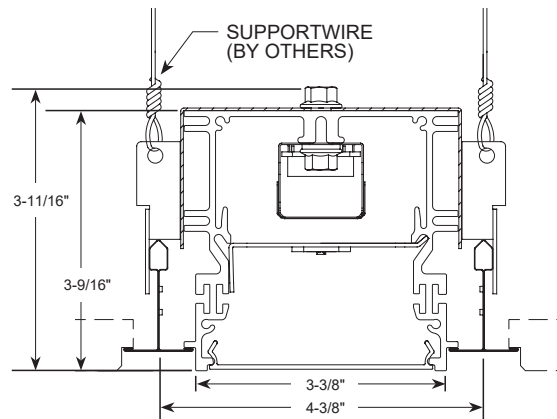
S
 Screw Slot



SI
 9/16" Interlude



T9
 9/16" Tegular



T15
 15/16" Tegular

HOUSINGS

Extruded aluminum profile in a 0.080-inch wall thickness. Maximum length of each linear component is 12-ft. .060 aluminum ends are provided where needed at row termini. A one-piece 14GA galvanized steel joiner/aligner bracket is provided for each joint between housings. Internal cold-rolled steel components. A custom formulated non-glare matte-white polyester powder coating provides an extremely durable and long-lasting finish. Easy-use grid pry outs provided. Housing intended for recessing grid type ceiling system.

DIFFUSERS

Seamless fit diffusers. Flawless and consistent end-to-end fit. **HTA diffuser:** extruded from custom formulated high transmission white acrylic material. Specify when the highest performance levels are required. **ASO diffuser:** extruded from custom formulated smooth opal acrylic material. Specify when a more esthetically white appearance is desired. Allows maximum light transmission while eliminating pixilation and hot spots. Smooth finish compliments the architectural elements.

LED MODULES

High performance linear configured LED module boards. Each board consists of multiple mid-power, high efficacy LEDs in a precise layout eliminating the need for supplemental heat sinking. The boards produce an even and diffuse light which maximizes optical efficiency. Color temperatures available 80 CRI: 3000K, 3500K and 4000K. Upon request: 5000K. Color temperatures available 90 CRI: 2700K, 3000K, 3500K and 4000K.

LED MODULES

Factory programmable constant current LED power supply. Multiple standard drive current outputs (factory set by Mercury) are cataloged with their corresponding lumen package offerings. Upon request, custom drive current outputs and lumen package options are available. Note: Certain cataloged lumens package offerings may be provided with a non-programmable constant current LED power supply at Mercury's discretion. Contact factory if critical. Universal voltage input, 120V-277V, 50HZ-60HZ. Continuous dimming capability down to 1%-standard. 0.1% available upon request. Dim to Dark option available upon request. Sensor ready (SR) drivers compatible with most lighting controls are optional. Consult factory. Lutron driver available: LDEI series.

TUNABLE WHITE OPTION

Field tunable range 2700K through 6500K. 80CRI.

INTEGRAL LIGHTNING OPTIONS

Various lighting controls and sensors are optional. Consult factory.

STANDBY LIGHTING OPTIONS

Self-contained module, 10W or 12W as specified. Battery backup upon loss of power. Available in modules of 4-ft. and longer. **(Limited to 825 Lumens per foot packages).**

LED DRIVERS

Factory programmable constant current LED power supply. Multiple standard drive current outputs (factory set by Mercury) are cataloged with their corresponding lumens per-foot offering. Upon request, custom drive current outputs and lumens-per-foot options are available. Note: Certain cataloged lumens-per-foot offerings may be provided with a non-programmable constant current LED power supply at Mercury's discretion. Contact factory if critical. Universal voltage input, 120V-277V, 50HZ-60HZ. Continuous dimming capability down to 1%-standard. 0.1% available upon request. Dim to Dark option available upon request. Sensor ready (SR) drivers compatible with most lighting controls are optional. Consult factory. Lutron driver available: LDEI series. (Limited to 625 Lumens per foot packages).

INSTALLATIONS

Designed for recessed installation into acoustical grid ceiling systems, including Armstrong® 4" TechZone™. See ceiling types section. Availability for various types; 15/16" grid, 9/16" grid, 9/16" screw-slot, 9/16" interlude, 15/16" tegular, 9/16" tegular. Grid pry outs lock over top of gridwork. Auxiliary suspension required to building structure. Lengths of 12-ft. and less to use one housing with two ends pre-installed. Lengths over 12-ft. will be engineered to job requirements using multiple housings with one end pre installed at each row end. Lengths over 12-ft. will include appropriate job required quick-connect plug-thru wire harnesses and housing joiners. Wiring access plate provided on top. End plates have 7/8" KO.

CERTIFICATE OF SAFETY COMPLIANCE AND LISTINGS

Luminaire: UL and CUL listed 1598 and bears their label. Suitable for damp locations. Optional: Suitable for wet locations marking is available. Some limitations apply. Contact factory for all details. IC rated. CCEA option meets the City of Chicago Environmental Air specifications.

LIGHTNING PROGRAM

Same quality product, shipped in 15 days or less (if drawings are required, 15 days or less starts after drawings are released). Entire order must qualify for [Lightning Program](#) in order to meet freight charges. Please contact our sales team if unsure your order will qualify. Options highlighted in Blue, 500 linear feet or less, are eligible for quick ship [Lightning Program](#). Relates to straight runs ONLY. Other variations not highlighted in blue may be available under [Lightning Program](#). Please consult factory. Specify LP-MLS4 when placing order if you would like to use [Lightning Program](#).

WARRANTY

5-year limited warranty is standard. Special 10-year warranty available on a job-to-job basis. Complete LED warranty terms available at www.mercltg.com. Actual performance may differ as a result of end user environment and application. Most LED luminaires are suitable to operate in ambient temperatures from -20C (-4F) to 25C (77F). The following exclusions apply: Luminaires with standby lighting option, integral lighting controls options, or wireless control options. Consult factory. LM-79 testing was measured under a controlled 25C (77F) ambient operating temperature.