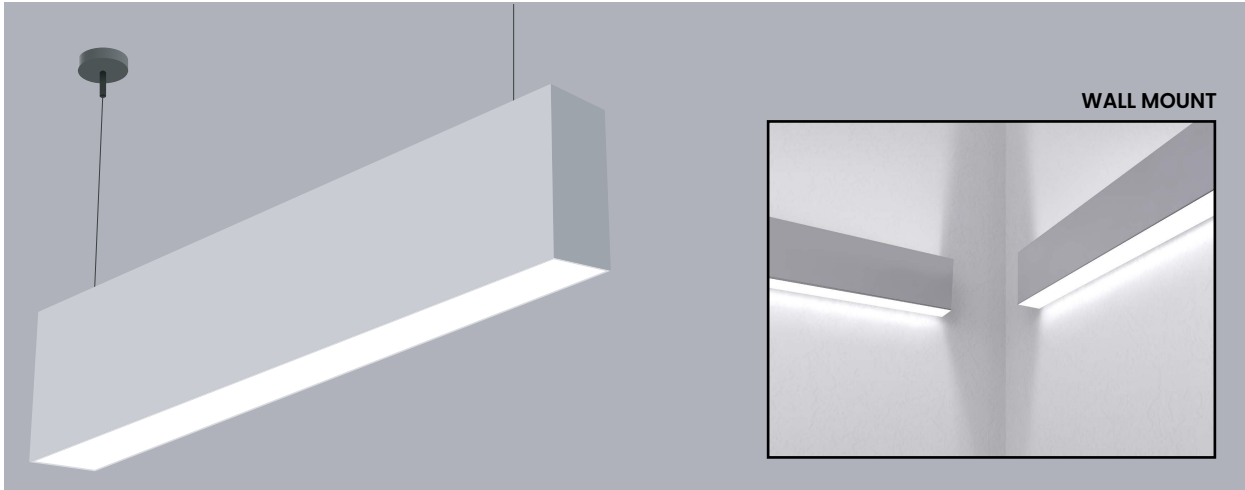
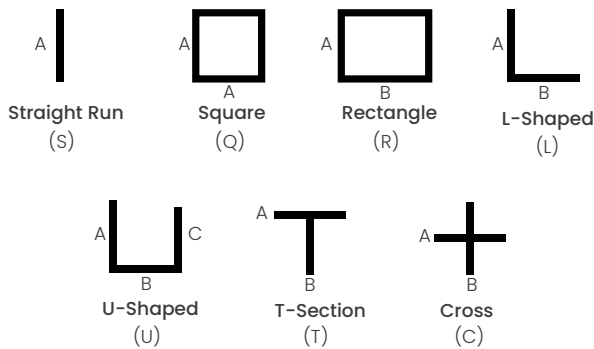


MLS3

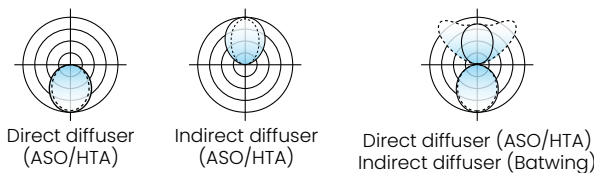
LINEAR LED ILLUMINATING SYSTEM
SUSPENDED / SURFACE MOUNT / WALL MOUNT
DIRECT ONLY / INDIRECT ONLY / DIRECT/INDIRECT



SHAPES/PATTERNS



For other shapes/patterns/runs consult the factory.



FEATURES

- Extruded aluminum housing.
- Narrow 3" wide profile.
- Linear lengths; 2-ft. and above in increments of one-inch.
- Custom formulated high diffusion extruded acrylic lens.
- Non-glare matte-white polyester powder coating finish.
- Dual directional illumination. Direct downlighting and indirect uplighting.
- Indirect uplighting while being suspended from a ceiling.
- Wall mounted dual, direct and indirect illumination.
- Direct downlighting and indirect uplighting for wall grazing and general illumination.
- Standard and custom corners, crosses and T-sections offer the U E ability to design unlimited patterns, shapes and runs.
- Custom colors available.
- Cable mount from ceiling.
- Cable or stem mount from ceiling, or direct surface mount.
- Wall mounting system provides a half-inch standoff.
- Cataloged standard or custom set lumens-per-foot performances.
- 80 CRI standard. 90 CRI available.
- Continuous dimming capability down to 1% on 0-10V controls.
- Fixture lumens per watt ratios up to 135.
- Tunable white feature optional.
- Lighting controls and sensors.
- Standard and custom corners
- American Made.
- A new extrusion with a shallower overall height of 3-1/2" and 4-1/8".
- A new custom designed batwing-type indirect diffuser. Spreads light from the linear LED boards into two distinct side lobes. When projected onto the ceiling the results are a very consistent and wide spread of indirect illumination.
- New additional drop-down or pop-up diffuser options.
- Lightning Program eligible (ships in 15 days or less): See ordering data for options.

Fixture type:	Job information:
<input type="text"/>	<input type="text"/>



PRODUCT DEFINITION SHEET

All options highlighted in **BLUE** are eligible for **Lightning Program** (same quality product, shipped in 15 days or less)

Ex: **MLS3-DI-144-S18-800-950-35K-HTA-BW-1-2C-U-EM12-BABA-SR-AU**

1	2	3	4	5	6	7	8
9	10	11	12	13	14	15	16

1	2	3	4
SERIES	MOUNTING	LENGTH	SHAPE (ENTER LENGTH IN PRODUCT CODE ABOVE)
<input type="checkbox"/> MLS3 LightStreams <input type="checkbox"/> LP-MLS3 Lightning Program	<input type="checkbox"/> DI Direct/ Indirect Suspended <input type="checkbox"/> I Indirect Suspended <input type="checkbox"/> M Direct Suspended Cable Mount <input type="checkbox"/> MI Direct Surface Mount <input type="checkbox"/> M2 Direct Suspended Stem Mount <input type="checkbox"/> WDI Wall Mount Direct/Indirect <input type="checkbox"/> WMD Wall Mount Direct <input type="checkbox"/> WMI Wall Mount Indirect	<input type="checkbox"/> 48 48" Length <input type="checkbox"/> 96 96" Length <input type="checkbox"/> 144 144" Length Custom or Row Length. 24" and above in 1" increments. Ex. in inches: 82, 384, etc.	<input type="checkbox"/> S__ Individual/Straight Run Section (enter length, ex. S18) <input type="checkbox"/> Q__ Square Configuration (enter side length A, ex. Q18) <input type="checkbox"/> R__/_ Rectangular Configuration (enter side lengths A and B, ex. R12/24) <input type="checkbox"/> L__/_ L-Shaped Configuration (enter side lengths A and B, ex. L12/24) <input type="checkbox"/> U__/_/_ U-Shaped Configuration (enter side lengths A, B, and C, ex. U12/12/24) <input type="checkbox"/> T__/_ T-Section (enter side lengths A and B, ex. T12/24) <input type="checkbox"/> C__/_ Cross Configuration (enter side lengths A and B, ex. C12/24)

All corners of shape must be 90°, same plane. Lengths greater than 8' consist of multiple individual housing sections joined together. Lengths are nominal and may vary based on lamping and other specification selections. Consult Mercury when exact lengths are required. Consult factory for corners other than 90°.

5	5	7	8	9	10
LUMENS/FT DIRECT	LUMENS/FT INDIRECT	COLOR TEMP-CCT	DIFFUSER DIRECT	DIFFUSER INDIRECT	DRIVER
<input type="checkbox"/> HTA <input type="checkbox"/> 400 <input type="checkbox"/> 500 <input type="checkbox"/> 625 <input type="checkbox"/> 800 <input type="checkbox"/> 950* <input type="checkbox"/> 1100 *For direct/indirect only <input type="checkbox"/> ASO <input type="checkbox"/> 400 <input type="checkbox"/> 500 <input type="checkbox"/> 625 <input type="checkbox"/> 800 <input type="checkbox"/> 930* *For direct light only Custom Lumen Packages.	<input type="checkbox"/> BLV <input type="checkbox"/> 400 <input type="checkbox"/> 500 <input type="checkbox"/> 625 <input type="checkbox"/> 725	<input type="checkbox"/> BW For direct/indirect only <input type="checkbox"/> 400 <input type="checkbox"/> 500 <input type="checkbox"/> 625 <input type="checkbox"/> 825 <input type="checkbox"/> 950 <input type="checkbox"/> 1200	<input type="checkbox"/> 80 CRI <input type="checkbox"/> 30K 3000K <input type="checkbox"/> 35K 3500K <input type="checkbox"/> 40K 4000K <input type="checkbox"/> 50K 5000K Upon request <input type="checkbox"/> TW Tunable White 2700K-6500K <input type="checkbox"/> 90 CRI <input type="checkbox"/> 927K 2700K <input type="checkbox"/> 930K 3000K <input type="checkbox"/> 935K 3500K <input type="checkbox"/> 940K 4000K	<input type="checkbox"/> HTA High Transmission Acrylic <input type="checkbox"/> ASO Acrylic Smooth Opal	<input type="checkbox"/> BW Batwing Indirect <input type="checkbox"/> 1 0-10V 1% Dimming <input type="checkbox"/> IDD 0-10% Dimming Dim to Dark <input type="checkbox"/> eL eldoLED Solo 0.1% <input type="checkbox"/> LDE1 Lutron Hi- Lume <input type="checkbox"/> - As Specified

OPTIONS

11	12	13	14	15	16
CIRCUITING	VOLTAGE	STANDBY MODULES	MISC.	SENSOR READY	LIGHTING CONTROLS
<input type="checkbox"/> 1C Direct + Indirect dim together <input type="checkbox"/> 2C Direct and Indirect controlled independently Contact Mercury for adding additional zones, separated zones/circuits, etc	<input type="checkbox"/> U Uni 120-277V <input type="checkbox"/> 1 120V <input type="checkbox"/> 7 277V Please verify at the time of release if 120V or 277V is required. Although drivers are universal voltage, a specific voltage is required to determine amp draw as well as voltage specific flexes and/or plug thrus as needed.	<input type="checkbox"/> EM10 Emergency Battery 10W <input type="checkbox"/> EM12 Emergency Battery 12W <input type="checkbox"/> NO OPTION Available in modules of 4-ft. and longer.	<input type="checkbox"/> WL UL "Suitable for Wet Locations" labeled <input type="checkbox"/> BABA Consult factory	<input type="checkbox"/> SR Sensor Ready Required for Certain Controls, Contact Mercury Lighting	<input type="checkbox"/> AU Autani <input type="checkbox"/> AVI Avi-On <input type="checkbox"/> CA Casambi <input type="checkbox"/> LV Leviton <input type="checkbox"/> LT Lutron <input type="checkbox"/> NL nLight <input type="checkbox"/> PS Philips/Signify <input type="checkbox"/> WA Wattstopper <input type="checkbox"/> CU Current nx <input type="checkbox"/> NO No option

Consult Mercury Lighting for further information and other options.

Mercury should be notified if the controls are to be Wireless, Networked Lighting Controls, 0-10v Dimming, DMX, etc.

If controls aren't specified, the fixture ships 0-10V, 1% dimming, unified D/I control.

CUSTOM HANGING POINT	CUSTOM PAINT COLORS
<input type="checkbox"/> As Specified	<input type="checkbox"/> As Specified

MLS3

LINEAR LED ILLUMINATING SYSTEM
 SUSPENDED / SURFACE MOUNT / WALL MOUNT
 DIRECT ONLY / INDIRECT ONLY / DIRECT/INDIRECT



PERFORMANCE

PERFORMANCE - HTA

Based on 4Ft. Module, 3500K, 80 CRI- HTA diffuser-Signify LV6 LED Boards.

Lumens per Foot (LF)	Delivered Lumens (L)	System Watts (W)	Lumens per Watt (LPW)
400	1600	13	123
500	2000	17	118
625	2500	21	119
850	3400	29	117
1160	4640	41	113

Actual performance may differ by +/- 5% when operating between 120V-277V +/- 10%. Consult Factory for 90 CRI performances.

Multiplier for other Color Temp (K)

- 3000K 97%
- 3500K 100%
- 4000K 102%
- 5000K 103%



PERFORMANCE - ASO

Based on 4Ft. Module, 3500K, 80 CRI- ASO diffuser-Signify LV6 LED Boards.

Lumens per Foot (LF)	Delivered Lumens (L)	System Watts (W)	Lumens per Watt (LPW)
400	1600	16	100
500	2000	20	100
625	2500	27	93
850	3400	37	92
930	3720	41	91

Actual performance may differ by +/- 5% when operating between 120V-277V +/- 10%. Consult Factory for 90 CRI performances.

Multiplier for other Color Temp (K)

- 3000K 97%
- 3500K 100%
- 4000K 102%
- 5000K 103%



PERFORMANCE - WHITE LOUVER

Based on 4Ft, 3500K, 80 CRI, White Louver.

Lumens per Foot (LF)	Delivered Lumens (L)	System Watts (W)	Lumens per Watt (LPW)
400	1600	15	107
500	2000	19	105
625	2500	24	104
825	3300	32	103
1100	4400	48	92

Actual performance may differ by +/- 5% when operating between 120V-277V +/- 10%. Consult Factory for 90 CRI performances.

Multiplier for other Color Temp (K)

- 3000K 97%
- 3500K 100%
- 4000K 102%
- 5000K 103%



PERFORMANCE - BLACK LOUVER

Based on 4Ft, 3500K, 80 CRI, Black Louver.

Lumens per Foot (LF)	Delivered Lumens (L)	System Watts (W)	Lumens per Watt (LPW)
400	1600	25	64
500	2000	32	63
625	2500	41	61
725	2900	48	60

Actual performance may differ by +/- 5% when operating between 120V-277V +/- 10%. Consult Factory for 90 CRI performances.

Multiplier for other Color Temp (K)

- 3000K 97%
- 3500K 100%
- 4000K 102%
- 5000K 103%



PERFORMANCE DIRECT/INDIRECT

PERFORMANCE - HTA (DIRECT) / BW (INDIRECT)

Direct Lumens Per Foot	Indirect Lumens Per FT	Direct/Indirect %	Delivered Lumens Total (L)	System Watts (W)	Lumens Per Watt (LPW)
400	400	50/50	3200	23.9	134
	500	45/55	3600	26.9	134
	625	40/60	4100	30.4	135
	825	35/65	4900	36.7	133
	950	30/70	5400	40.3	134
500	1200	25/75	6400	48.5	132
	400	55/45	3600	27.2	132
	500	50/50	4000	30.2	132
	625	45/55	4500	33.7	134
	825	40/60	5300	40.0	133
625	950	35/65	5800	43.6	133
	1200	30/70	6800	51.8	131
	400	60/40	4100	31.5	130
	500	55/45	4500	34.5	130
	625	50/50	5000	38.0	132
825	825	45/55	5800	44.3	131
	950	40/60	6300	47.9	132
	1200	35/65	7300	56.1	130
	400	70/30	4900	38.8	126
	500	65/35	5300	41.8	127
950	625	60/40	5800	45.3	128
	825	50/50	6600	51.6	128
	950	45/55	7100	55.2	129
	1200	40/60	8100	63.4	128
	400	70/30	5400	43.4	124
1100 MAX	500	65/35	5800	46.4	125
	625	60/40	6300	49.9	126
	825	55/45	7100	56.2	126
	950	50/50	7600	59.8	127
	1200	45/55	8600	68.0	126
1100 MAX	400	75/25	6000	49.1	122
	500	70/30	6400	52.1	123
	625	65/35	6900	55.6	124
	825	60/40	7700	61.9	124
	950	55/45	8200	65.5	125
1200	45/55	9200	73.7	125	

Based on 4Ft. Module, 3500K, 80 CRI, HTA Direct Diffuser, BW Indirect Diffuser-Signify LV6 LED Boards

Actual performance may differ by +/- 5% when operating between 120V-277V +/- 10%. Consult Factory for 90 CRI performances.

Multiplier for other Color Temp (K)

- 3000K 97%
- 3500K 100%
- 4000K 102%
- 5000K 103%



PERFORMANCE - ASO (DIRECT) / BW (INDIRECT)

Direct Lumens Per Foot	Indirect Lumens Per FT	Direct/Indirect %	Delivered Lumens Total (L)	System Watts (W)	Lumens Per Watt (LPW)
400	400	50/50	3200	27.2	118
	500	45/55	3600	30.2	119
	625	40/60	4100	33.7	122
	825	35/65	4900	40.0	123
	950	30/70	5400	43.6	124
500	1200	25/75	6400	51.8	124
	400	55/45	3600	31.5	114
	500	50/50	4000	34.5	116
	625	45/55	4500	38.0	118
	825	40/60	5300	44.3	120
625	950	35/65	5800	47.9	121
	1200	30/70	6800	56.1	121
	400	60/40	4100	37.3	110
	500	55/45	4500	40.3	112
	625	50/50	5000	43.8	114
825	825	45/55	5800	50.1	116
	950	40/60	6300	53.7	117
	1200	35/65	7300	61.9	118
	400	65/35	5160	50.0	103
	500	60/40	5560	53.0	105
1100 MAX	625	55/45	6060	56.5	107
	825	50/50	6860	62.8	109
	950	45/55	7360	66.4	111
	1200	40/60	8360	74.6	112

Based on 4Ft. Module, 3500K, 80 CRI, ASO Direct Diffuser, BW Indirect Diffuser-Signify LV6 LED Boards

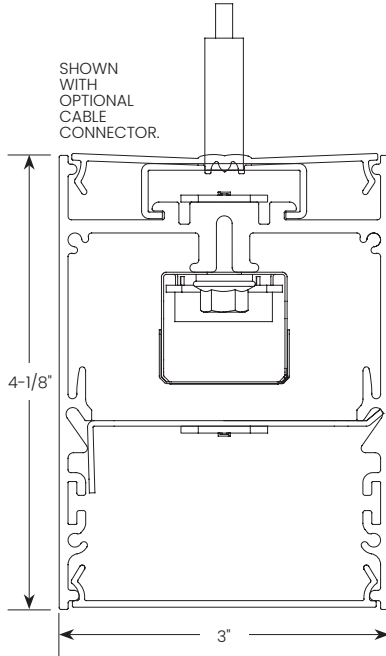
Actual performance may differ by +/- 5% when operating between 120V-277V +/- 10%. Consult Factory for 90 CRI performances.

Multiplier for other Color Temp (K)

- 3000K 97%
- 3500K 100%
- 4000K 102%
- 5000K 103%

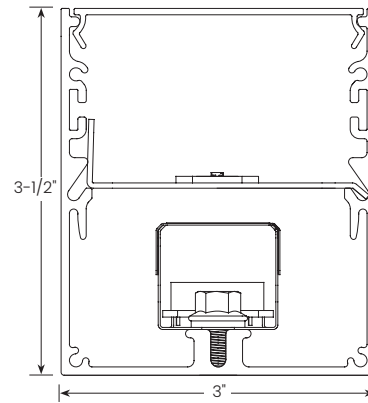


MOUNTING



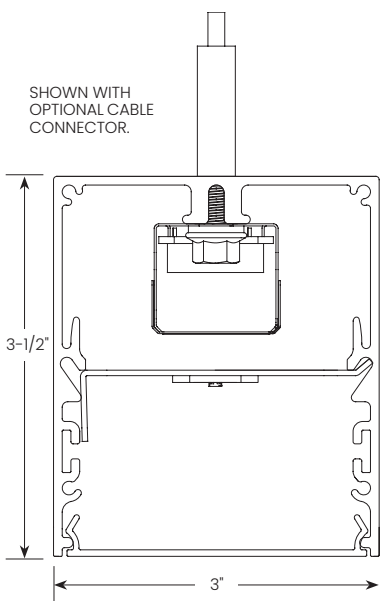
DI

Direct/ Indirect Suspended



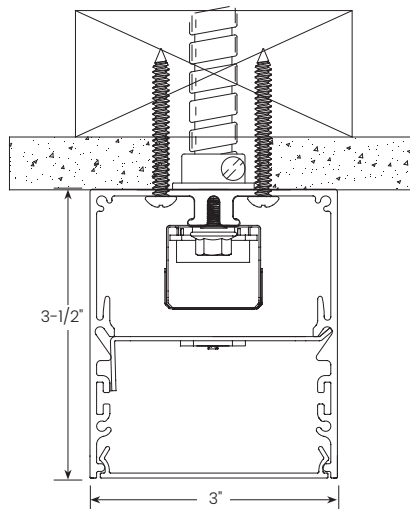
I

Indirect Suspended



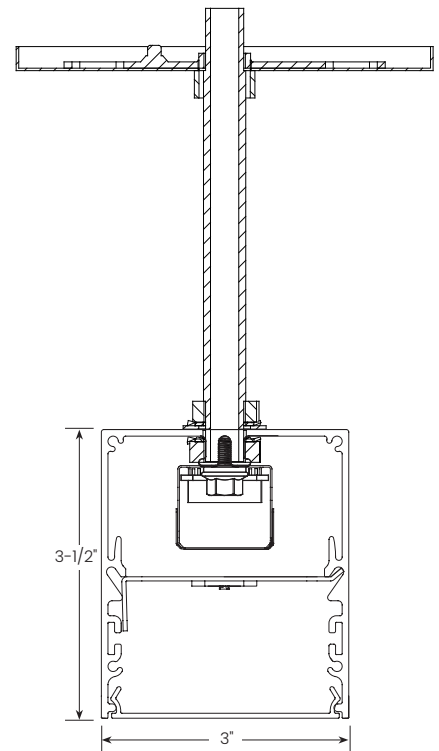
M

Direct Suspended Cable Mount



M1

Direct Surface Mount



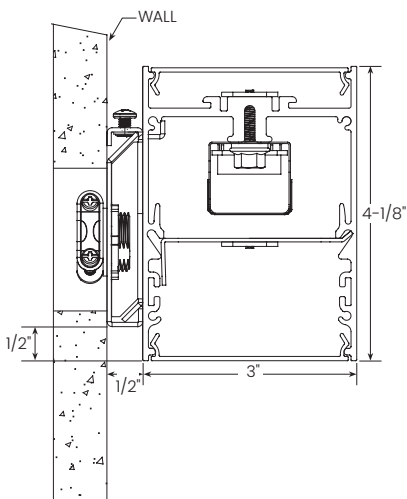
M2

Suspended Stem Mount

MLS3

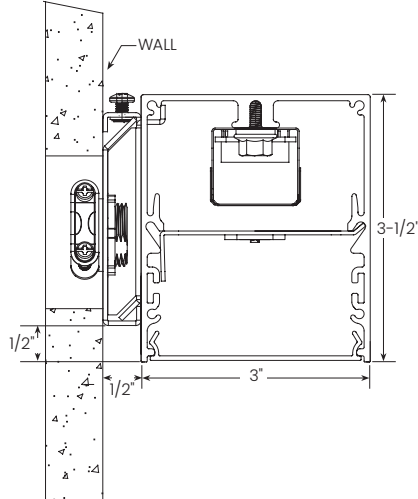
LINEAR LED ILLUMINATING SYSTEM
SUSPENDED / SURFACE MOUNT / WALL MOUNT
DIRECT ONLY / INDIRECT ONLY / DIRECT / INDIRECT

MOUNTING



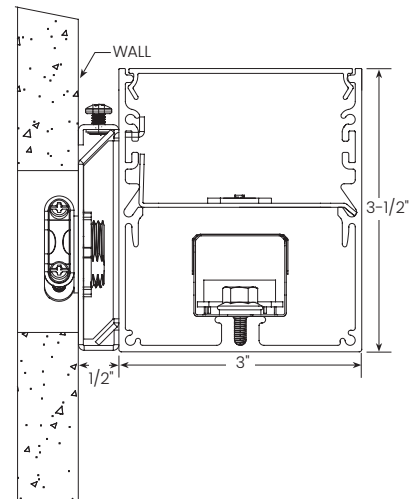
WDI

Wall Mount Direct/ Indirect



WMD

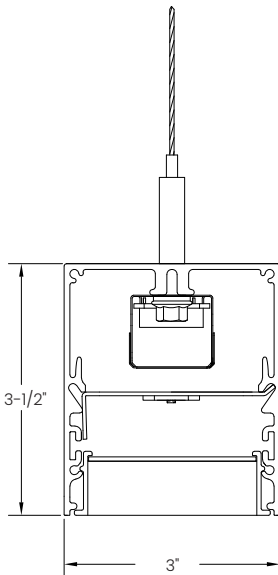
Wall Mount Direct



WMI

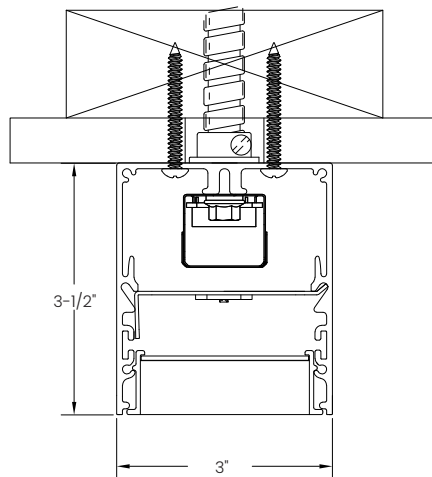
Wall Mount Indirect

LOUVER



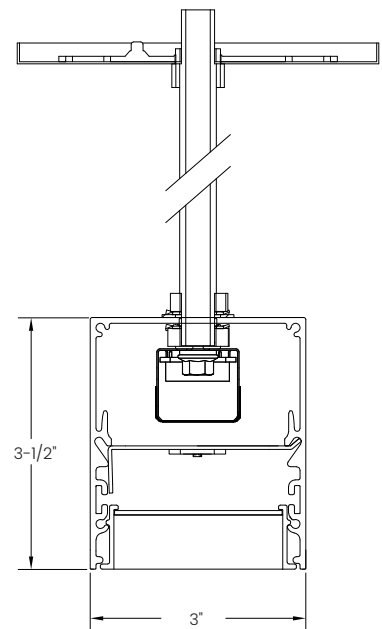
M

Direct Suspended Cable Mount



MI

Direct Surface Mount

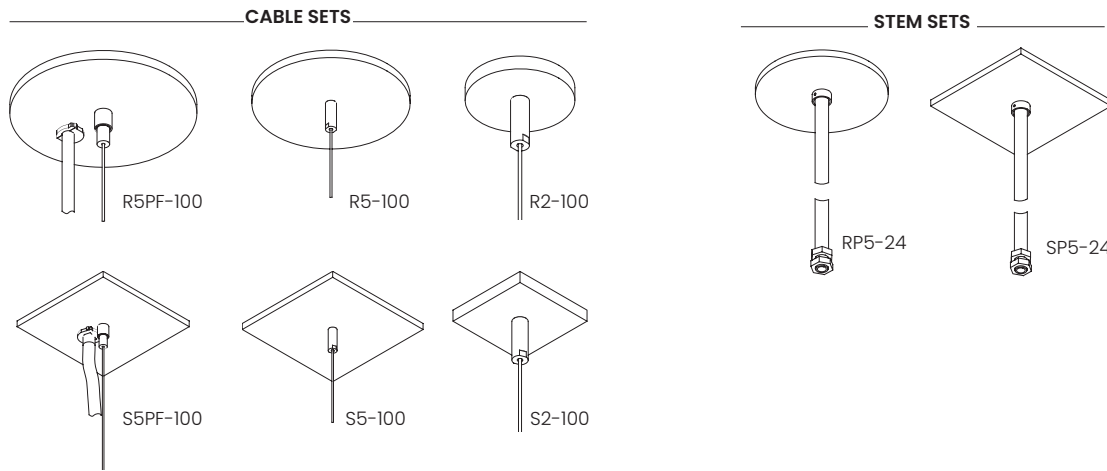


M2

Suspended Stem Mount

For recessed options please visit the rest of the MLS3 family.

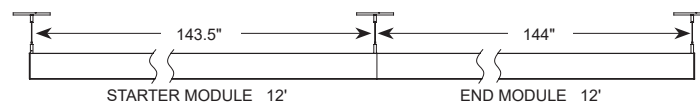
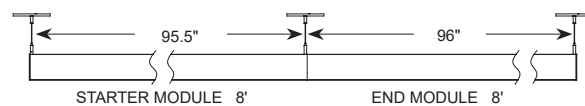
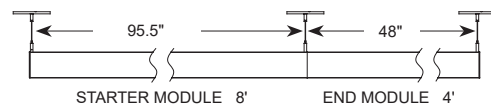
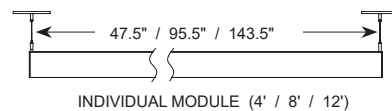
HANGING ACCESSORIES



PART #	DESCRIPTION
R5PF-100	Round 5" power feed canopy, Hanging hardware, 100" long 1/16" cable.
R5-100	Round 5" canopy, Hanging hardware, 100" long 1/16" cable.
R2-100	Round 2" canopy, Hanging hardware, 100" long 1/16" cable.
S5PF-100	Round 2" canopy, Hanging hardware, 100" long 1/16" cable.
S5-100	Square 5" canopy, Hanging hardware, 100" long 1/16" cable.
S2-100	Square 2" canopy, Hanging hardware, 100" long 1/16" cable.
RP5-24	Round 5" canopy, Hanging hardware, 24" long 1/2" dia. stem.
SP5-24	Square 5" canopy, Hanging hardware, 24" long 1/2" dia. stem.

Other cable and stem lengths available. Consult factory.

MOUNTING



Consult factory for additional row length information

HOUSINGS

Extruded aluminum profile in a 0.080-inch wall thickness. Maximum length of each linear component is 12-ft. .060 aluminum ends are provided where needed at row termini. A one-piece 14GA galvanized steel joiner/aligner bracket is provided for each joint between housings. Internal cold-rolled steel components. Inconspicuous cable hanging brackets at the ends. A custom formulated non-glare matte-white polyester powder coating provides an extremely durable and long-lasting finish. Custom color finishes on request.

DIFFUSERS

Seamless fit diffusers. Flawless and consistent end-to-end fit. Standard direct diffuser: extruded from custom formulated high transmission white acrylic material. Allows maximum light transmission while eliminating pixilation and hot spots. Optional direct diffuser: extruded from acrylic smooth opal material. Offers a more esthetically white appearance. Note: reduces performance by up to 25%. Smooth finish on both diffusers compliments the architectural elements. Standard indirect diffuser: custom extruded batwing-type that spreads the light in a very consistent and wide beam of illumination. Additional options: 1/2", 3/4" and 1-1/2" drop style diffusers may be added to the direct position. May also be added to the indirect position as a pop-up diffuser.

LED MODULES

High performance linear configured LED module boards. Each board consists of multiple mid-power, high efficacy LEDs in a precise layout eliminating the need for supplemental heat sinking. The boards produce an even and diffuse light which maximizes optical efficiency. Compatible with the dimming performance of the LED driver. Color temperatures available 80 CRI: 3000K, 3500K and 4000K. Upon request: 5000K. Color temperatures available 90 CRI: 2700K, 3000K, 3500K and 4000K.

TUNABLE WHITE OPTION

Field tunable range 2700K through 6500K. 80CRI.

LED DRIVERS

Factory programmable constant current LED power supply. Multiple standard drive current outputs (factory set by Mercury) are cataloged with their corresponding lumens-per-foot offering. Upon request, custom drive current outputs and lumens-per-foot options are available. Note: Certain cataloged lumens-per-foot offerings may be provided with a non-programmable constant current LED power supply at Mercury's discretion. Contact factory if critical. Universal voltage input, 120V-277V, 50HZ-60HZ. Continuous dimming capability down to 1%-standard. 0.1% available upon request. Dim to Dark option available upon request. Sensor ready (SR) drivers compatible with most lighting controls are optional. Consult factory. Lutron drivers available: LDEI series.

STANDBY LIGHTING OPTIONS

Self-contained module, 10W or 12W as specified. Battery backup upon loss of power. Available in modules of 4-ft. and longer.

INTEGRAL LIGHTING CONTROLS

Various lighting controls and sensors are optional. Consult factory.

CORNERS

Standard 90 degree corners. Custom angled corners, crosses and T-sections. Consult factory.

INSTALLATIONS

Designed to be suspended on cables or wall mounted with the half-inch offset wall mounting system. Labor saving feature allows installation without disassembling of luminaire. Easy-connect cable hangers make installations easy. Lengths of 12-ft. and less to use one housing with two ends pre-installed. Lengths over 12-ft. will be engineered to job requirements using multiple housings with one end pre-installed at each row end. Lengths over 12-ft. will include appropriate job required quick-connect plug-thru wire harnesses and housing joiners. All individual modules or multiple module runs to include job required feed wire as specified. Standard or custom hanging points will be provided per job specifications.

CERTIFICATE OF SAFETY COMPLIANCE AND LISTINGS

Luminaire: UL and CUL listed 1598 and bears their label. Suitable for damp locations. Optional: Suitable for wet locations marking is available. Some limitations apply. Contact factory for all details.

LIGHTNING PROGRAM

Same quality product, shipped in 15 days or less (if drawings are required, 15 days or less starts after drawings are released). Entire order must qualify for [Lightning Program](#) in order to meet freight charges. Please contact our sales team if unsure your order will qualify. Options highlighted in Blue, 500 linear feet or less, are eligible for quick ship [Lightning Program](#). Relates to straight runs ONLY. Other variations not highlighted in blue may be available under [Lightning Program](#). Please consult factory. Specify LP-MLS3 when placing order if you would like to use [Lightning Program](#).

WARRANTY

5-year limited warranty is standard. Special 10-year warranty available on a job-to-job basis. Complete LED warranty terms available at www.mercltg.com. Actual performance may differ as a result of end-user environment and application. Most LED luminaires are suitable to operate in ambient temperatures from -20°C (-4°F) to 25°C (77°F). The following exclusions apply: Luminaires with optional standby lighting option, integral lighting controls options, or wireless control options. Consult factory. LM-79 testing was measured under a controlled 25°C (77°F) ambient operating temperature.