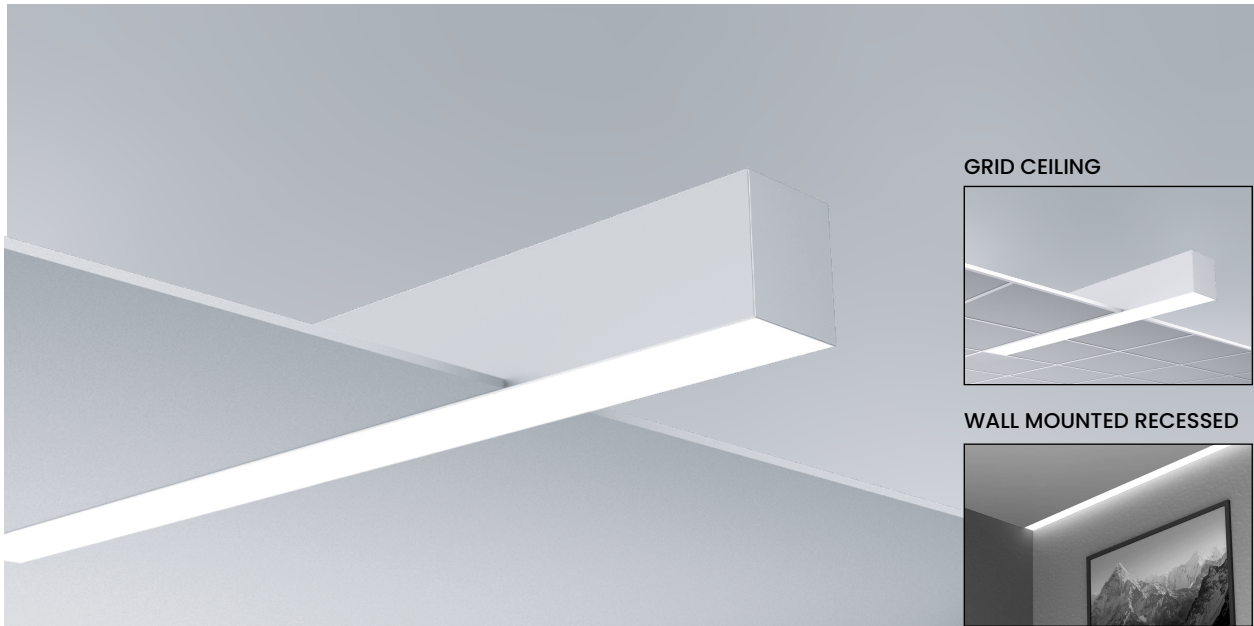


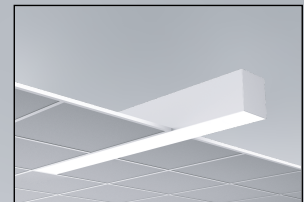
MLS3

LINEAR LED ILLUMINATING SYSTEM

RECESSED MOUNT FOR DRYWALL / GRID CEILINGS / WALL MOUNT RECESSED FLUSH LENS



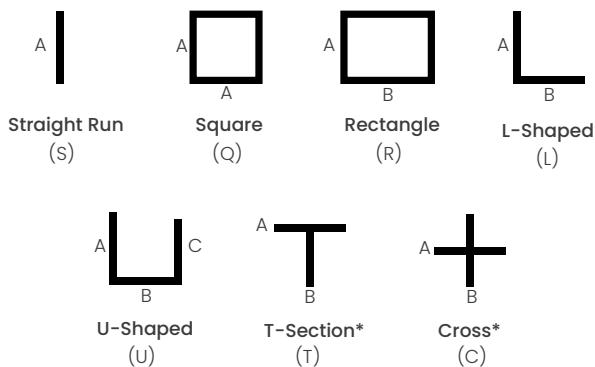
GRID CEILING



WALL MOUNTED RECESSED



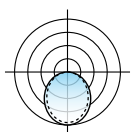
SHAPES/PATTERNS



*Please consult factory to confirm design and layout will comply with specified ceiling
 For other shapes/patterns/runs consult the factory.

FEATURES

- Extruded aluminum housing for perfectly straight lines of light.
- Narrow 3" wide profile.
- Linear lengths of 2-ft and above in increments of one-inch.
- Custom formulated high diffusion extruded acrylic lens.
- Non-glare matte-white polyester powder coating finish.
- Recessed for various ceiling types.
- Wall mounted/recessed direct illumination.
- Mounts flush with various ceiling types.
- Enhances and defines the perimeter of the ceiling.
- Direct downlighting for wall grazing and general room illumination.
- Cataloged standard or custom set lumens-per-foot performances.
- 80 CRI standard. 90 CRI available.
- IC rated.
- Continuous dimming capability down to 1% on 0-10V controls.
- CCEA option available.
- Fixture lumens per watt ratios up to 123.
- Tunable white feature optional.
- Lighting controls and sensors.
- Standard and custom corners.
- American Made.
- Lightning Program eligible (ships in 15 days or less): See ordering data for options.



Direct diffuser



Fixture type:	Job information:
<input type="text"/>	<input type="text"/>

MLS3

LINEAR LED ILLUMINATING SYSTEM
RECESSED MOUNT FOR DRYWALL / GRID CEILINGS /
WALL MOUNT WALL MOUNT RECESSED FLUSH LENS



PRODUCT DEFINITION SHEET

All options highlighted in **BLUE** are eligible for **Lightning Program** (same quality product, shipped in 15 days or less)

Ex: **MLS3-G9-144-S18-825-35K-HTA-1-U-EM12-WL-SR-AU**

1	2	3	4	5	6	7	8	9	10	11	12	13
---	---	---	---	---	---	---	---	---	----	----	----	----

1	2	3	4
SERIES	MOUNTING	LENGTH	SHAPE (ENTER LENGTH IN PRODUCT CODE ABOVE)
<input type="checkbox"/> MLS3 LightStreams 2 <input type="checkbox"/> LP-MLS3 Lightning Program	<input type="checkbox"/> N5 Trimless 5/8" <input type="checkbox"/> NI Trimless 1/2" <input type="checkbox"/> F Flange Trim for drywall <input type="checkbox"/> G9 Grid 9/16" flat T grid <input type="checkbox"/> G15 Grid 15/16" flat T grid <input type="checkbox"/> S Screw Slot <input type="checkbox"/> SI 9/16" Interlude <input type="checkbox"/> T9 9/16" Tegular <input type="checkbox"/> T15 15/16" Tegular Wall Mount Recessed <input type="checkbox"/> WMR-N5 Trimless 5/8" <input type="checkbox"/> WMR-NI Trimless 1/2" <input type="checkbox"/> WMR-S 9/16" Screw Slot	<input type="checkbox"/> 48 48" Length <input type="checkbox"/> 96 96" Length <input type="checkbox"/> 144 144" Length Custom or Row Length. 24" and above in 1" increments. Ex. in inches: 82, 384, etc.	<input type="checkbox"/> S__ Individual/Straight Run Section (enter length, ex. S18) <input type="checkbox"/> Q__ Square Configuration (enter side length A, ex. Q18) <input type="checkbox"/> R__/_ Rectangular Configuration (enter side lengths A and B, ex. R12/24) <input type="checkbox"/> L__/_ L-Shaped Configuration (enter side lengths A and B, ex. L12/24) <input type="checkbox"/> U__/_/_ U-Shaped Configuration (enter side lengths A, B, and C, ex. U12/12/24) <input type="checkbox"/> T__/_ T-Section* (enter side lengths A and B, ex. T12/24) <input type="checkbox"/> C__/_ Cross Configuration* (enter side lengths A and B, ex. C12/24) All corners of shape must be 90°, same plane. Lengths greater than 8' consist of multiple individual housing sections joined together. Lengths are nominal and may vary based on lamping and other specification selections. Consult Mercury when exact lengths are required. Consult factory for corners other than 90° *Please consult factory to confirm design and layout will comply with specified ceiling

5		6		7		8		9		10	
LUMENS/FT		COLOR TEMP-CCT		DIFFUSER		DRIVER		VOLTAGE		STANDBY MODULES	
<input type="checkbox"/> HTA <input type="checkbox"/> 400 <input type="checkbox"/> 500 <input type="checkbox"/> 625 <input type="checkbox"/> 825 <input type="checkbox"/> 1160 <input type="checkbox"/> ASO <input type="checkbox"/> 400 <input type="checkbox"/> 500 <input type="checkbox"/> 625 <input type="checkbox"/> 850 <input type="checkbox"/> 930 Custom Lumen Packages.	<input type="checkbox"/> WLV <input type="checkbox"/> 400 <input type="checkbox"/> 500 <input type="checkbox"/> 625 <input type="checkbox"/> 825 <input type="checkbox"/> 1100 <input type="checkbox"/> BLV <input type="checkbox"/> 400 <input type="checkbox"/> 500 <input type="checkbox"/> 625 <input type="checkbox"/> 725	<input type="checkbox"/> 80 CRI <input type="checkbox"/> 30K 3000K <input type="checkbox"/> 35K 3500K <input type="checkbox"/> 40K 4000K <input type="checkbox"/> 50K 5000K Upon request <input type="checkbox"/> TW Tunable White 2700K-6500K <input type="checkbox"/> 90 CRI <input type="checkbox"/> 927K 2700K <input type="checkbox"/> 930K 3000K <input type="checkbox"/> 935K 3500K <input type="checkbox"/> 940K 4000K	<input type="checkbox"/> HTA High Transmission Acrylic <input type="checkbox"/> ASO Acrylic Smooth Opal (Performance is reduced with this diffuser) <input type="checkbox"/> WLV White Louver <input type="checkbox"/> BLV Black Louver	<input type="checkbox"/> 1 0-10V 1% Dimming <input type="checkbox"/> IDD 0-10% Dimming Dim to Dark <input type="checkbox"/> eL eLdoLED Solo 0.1% <input type="checkbox"/> LDE1 Lutron Hi- Lume <input type="checkbox"/> - As Specified	<input type="checkbox"/> U Uni 120-277V <input type="checkbox"/> 1 120V <input type="checkbox"/> 7 277V Please verify at the time of release if 120V or 277V is required. Although drivers are universal voltage, a specific voltage is required to determine amp draw as well as voltage specific flexes and/or plug thrus as needed.	<input type="checkbox"/> EM10 Emergency Battery 10W <input type="checkbox"/> EM12 Emergency Battery 12W <input type="checkbox"/> NO OPTION Available in modules of 4-ft. and longer.					

11		12		13			
MISC.		SENSOR READY		LIGHTING CONTROLS		CUSTOM PAINT COLORS	
<input type="checkbox"/> WL UL "Suitable for Wet Locations" labeled <input type="checkbox"/> CCEA Meets the City of Chicago Environmental Air specifications. <input type="checkbox"/> BABA Consult factory.	<input type="checkbox"/> SR Sensor Ready Required for Certain Controls, Contact Mercury Lighting	<input type="checkbox"/> AU Autani <input type="checkbox"/> AVI Avi-On <input type="checkbox"/> CA Casambi <input type="checkbox"/> LV Leviton <input type="checkbox"/> LT Lutron <input type="checkbox"/> NL nLight <input type="checkbox"/> PS Philips/Signify <input type="checkbox"/> WA Wattstopper <input type="checkbox"/> CU Current nx <input type="checkbox"/> NO No option	Consult Mercury Lighting for further information and other options. Mercury should be notified if the controls are to be Wireless, Networked Lighting Controls, 0-10v Dimming, DMX, etc. If controls aren't specified, the fixture ships 0-10V, 1% dimming, unified D/I control.	<input type="checkbox"/> As Specified			

MLS3

**LINEAR LED ILLUMINATING SYSTEM
RECESSED MOUNT FOR DRYWALL / GRID CEILINGS /
WALL MOUNT WALL MOUNT RECESSED FLUSH LENS**



PERFORMANCE

PERFORMANCE - HTA

Based on 4Ft. Module, 3500K, 80 CRI- HTA diffuser-Signify LV6 LED Boards.

Lumens per Foot (LF)	Delivered Lumens (L)	System Watts (W)	Lumens per Watt (LPW)
400	1600	13	123
500	2000	17	118
625	2500	21	119
850	3400	29	117
1160	4640	41	113

Actual performance may differ by +/- 5% when operating between 120V-277V +/- 10%. Consult Factory for 90 CRI performances.

Multiplier for other Color Temp (K)
 3000K 97%
 3500K 100%
 4000K 102%
 5000K 103%



PERFORMANCE - ASO

Based on 4Ft. Module, 3500K, 80 CRI- ASO diffuser-Signify LV6 LED Boards.

Lumens per Foot (LF)	Delivered Lumens (L)	System Watts (W)	Lumens per Watt (LPW)
400	1600	16	100
500	2000	20	100
625	2500	27	93
850	3400	37	92
930	3720	41	91

Actual performance may differ by +/- 5% when operating between 120V-277V +/- 10%. Consult Factory for 90 CRI performances.

Multiplier for other Color Temp (K)
 3000K 97%
 3500K 100%
 4000K 102%
 5000K 103%



PERFORMANCE - WHITE LOUVER

Based on 4Ft, 3500K, 80 CRI, White Louver.

Lumens per Foot (LF)	Delivered Lumens (L)	System Watts (W)	Lumens per Watt (LPW)
400	1600	15	107
500	2000	19	105
625	2500	24	104
825	3300	32	103
1100	4400	48	92

Actual performance may differ by +/- 5% when operating between 120V-277V +/- 10%. Consult Factory for 90 CRI performances.

Multiplier for other Color Temp (K)
 3000K 97%
 3500K 100%
 4000K 102%
 5000K 103%



PERFORMANCE - BLACK LOUVER

Based on 4Ft, 3500K, 80 CRI, Black Louver.

Lumens per Foot (LF)	Delivered Lumens (L)	System Watts (W)	Lumens per Watt (LPW)
400	1600	25	64
500	2000	32	63
625	2500	41	61
725	2900	48	60

Actual performance may differ by +/- 5% when operating between 120V-277V +/- 10%. Consult Factory for 90 CRI performances.

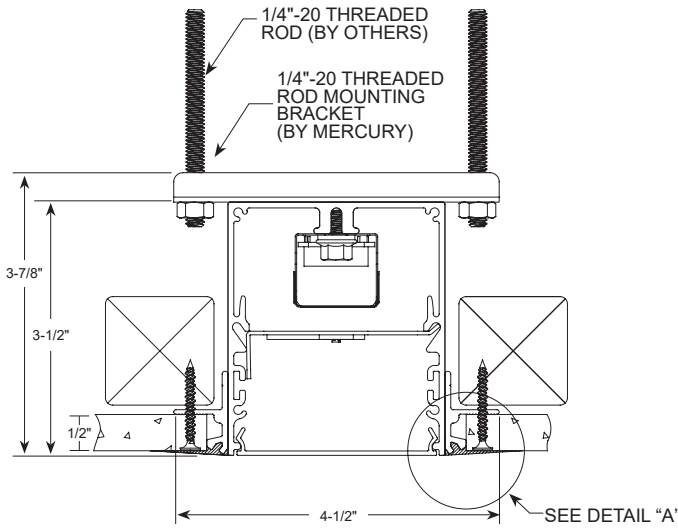
Multiplier for other Color Temp (K)
 3000K 97%
 3500K 100%
 4000K 102%
 5000K 103%



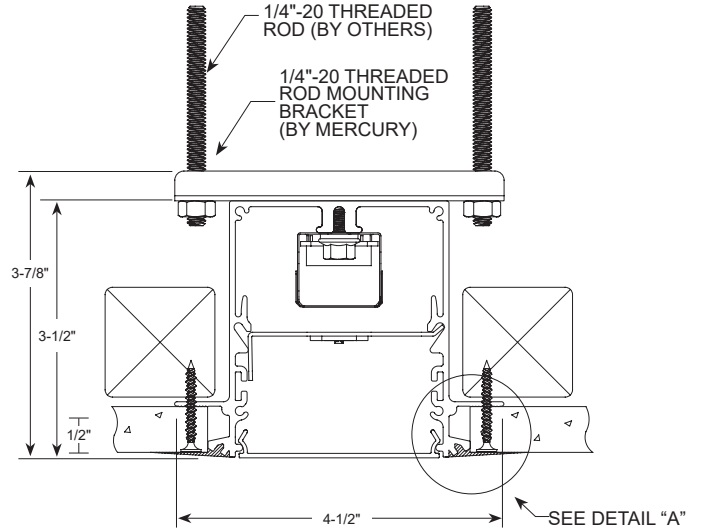
MLS3

LINEAR LED ILLUMINATING SYSTEM
 RECESSED MOUNT FOR DRYWALL / GRID CEILINGS /
 WALL MOUNT WALL MOUNT RECESSED FLUSH LENS

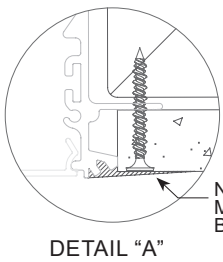
MOUNTING



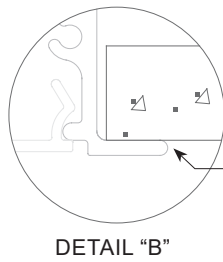
N1
 Trimless 1/2"



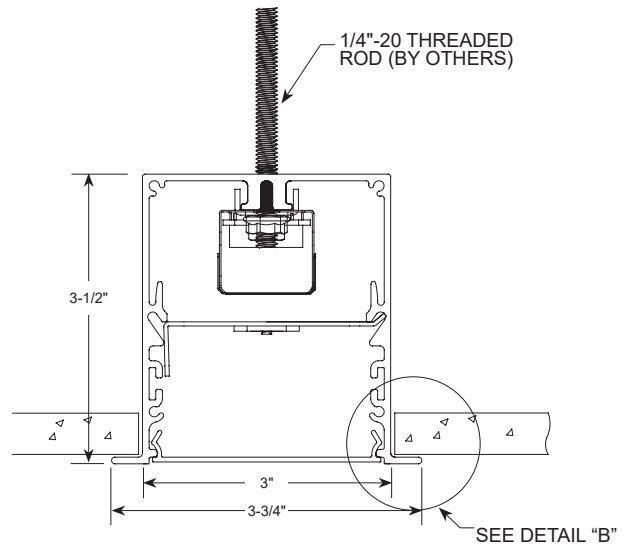
N5
 Trimless 5/8"



N1/N5
 MUD & TAPE
 BY OTHER



F
 OVERLAPPING
 TRIM

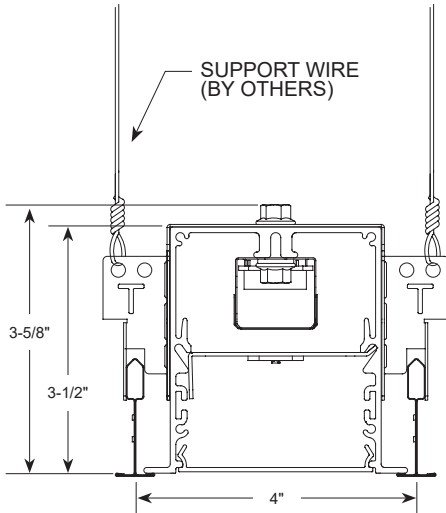


F
 Flange Trim for drywall

MLS3

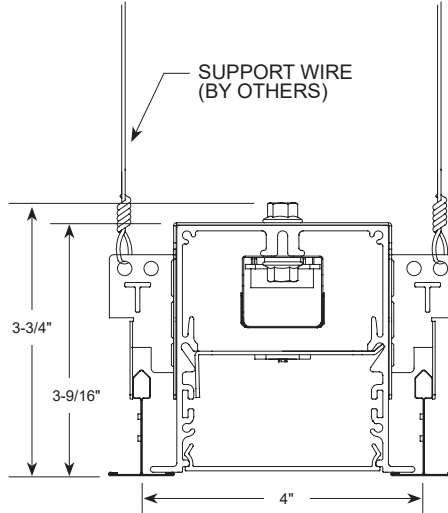
LINEAR LED ILLUMINATING SYSTEM
RECESSED MOUNT FOR DRYWALL / GRID CEILINGS /
WALL MOUNT WALL MOUNT RECESSED FLUSH LENS

MOUNTING



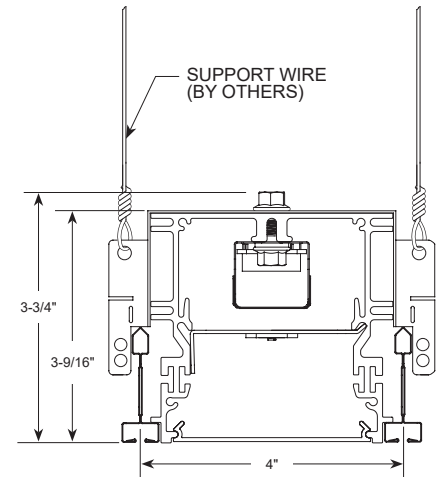
G9

Grid 9/16" flat T grid



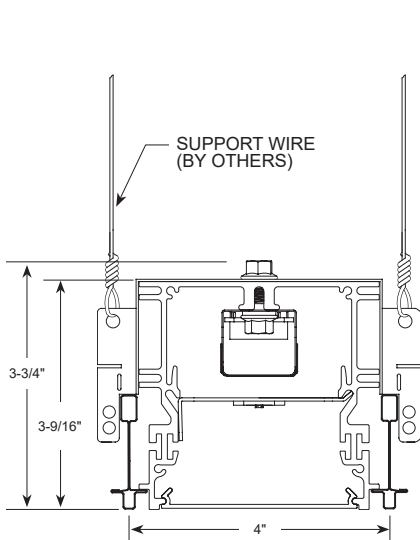
G15

Grid 15/16" flat T grid



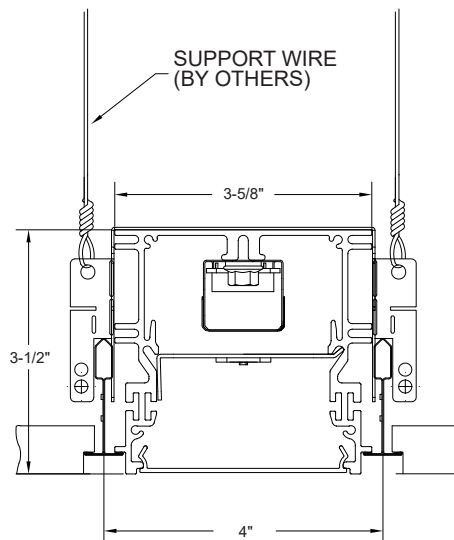
S

Screw Slot



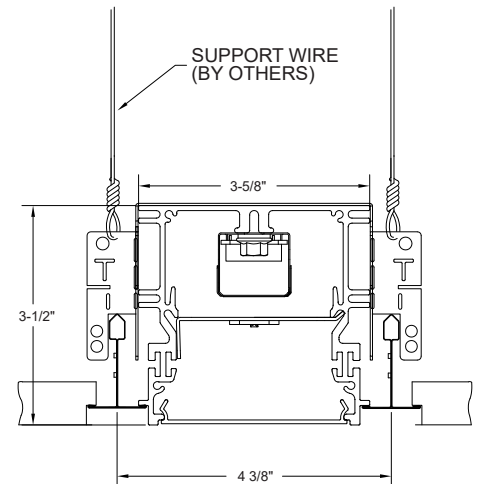
SI

9/16" Interlude



T9

9/16" Regular



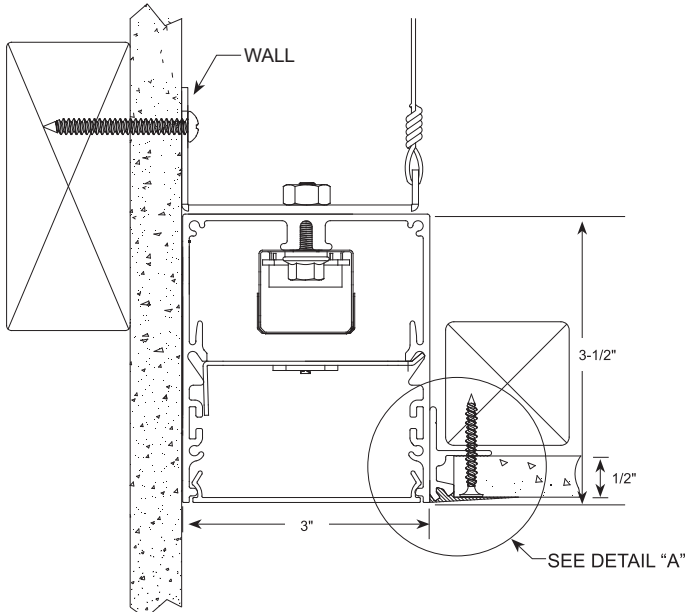
T15

15/16" Regular

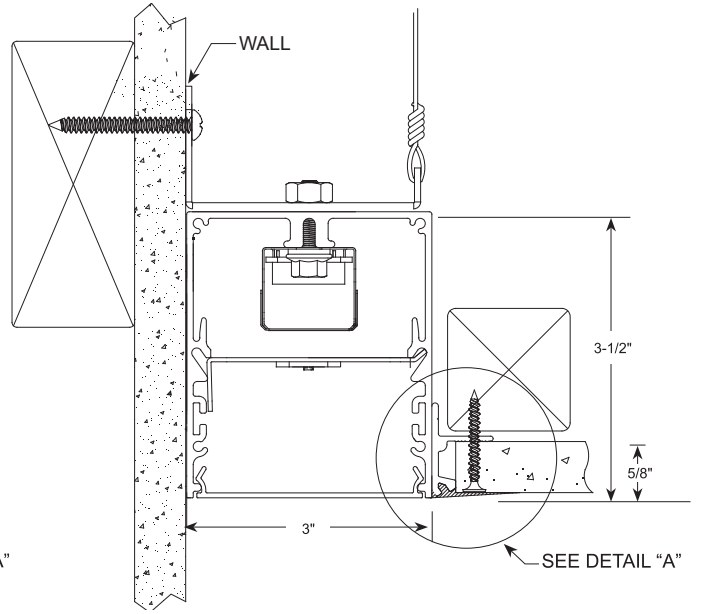
MLS3

LINEAR LED ILLUMINATING SYSTEM
RECESSED MOUNT FOR DRYWALL / GRID CEILINGS /
WALL MOUNT WALL MOUNT RECESSED FLUSH LENS

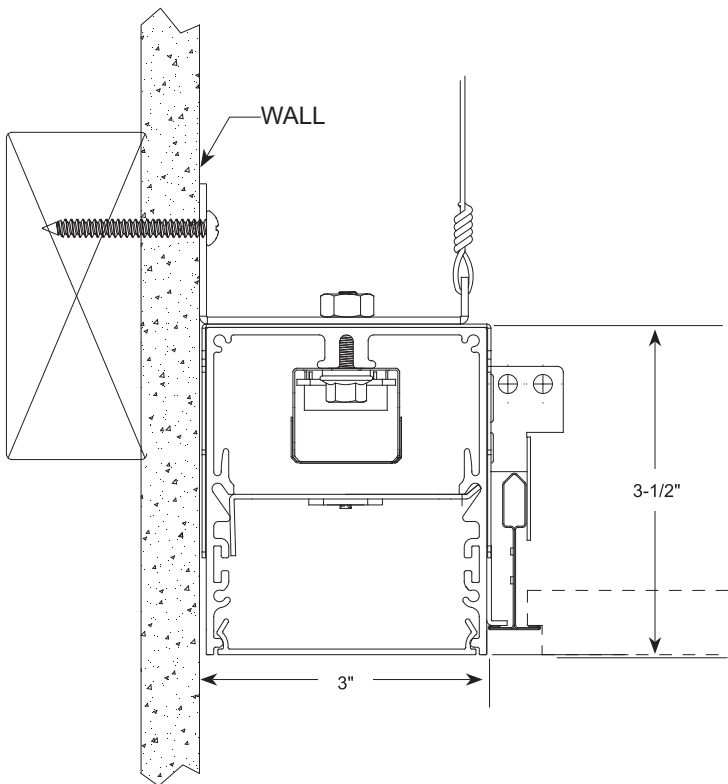
MOUNTING



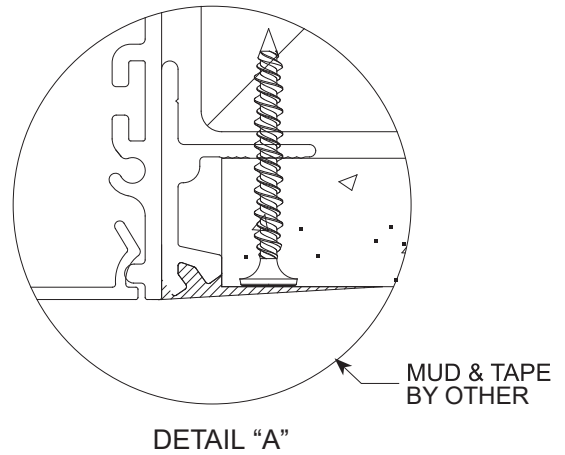
N1-WMR
Trimless 1/2"



N5-WMR
Trimless 5/8"



S-WMR
Screw Slot

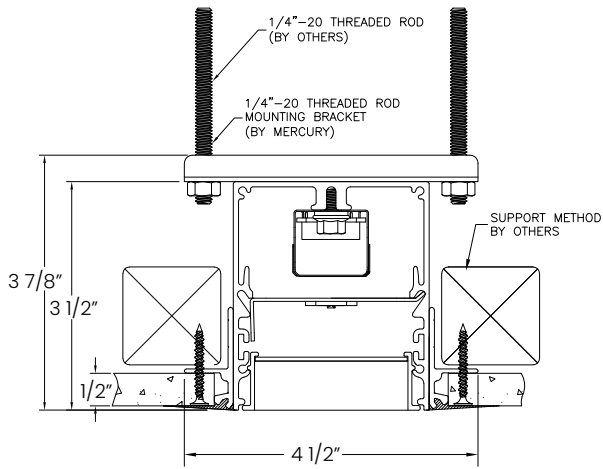


For suspended options
please visit the rest
of the MLS3 family

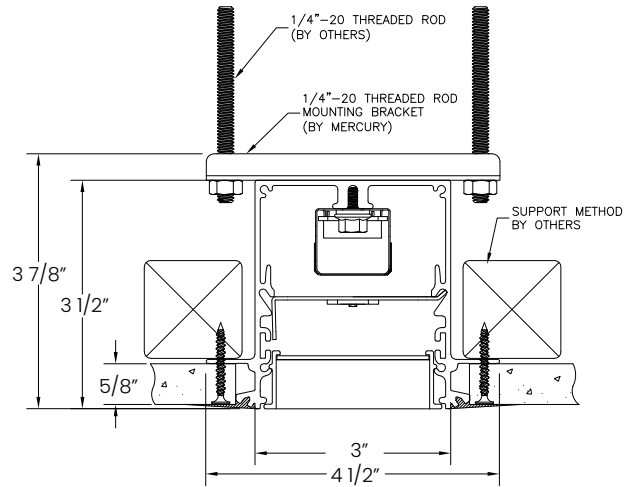
MLS3

LINEAR LED ILLUMINATING SYSTEM
RECESSED MOUNT FOR DRYWALL / GRID CEILINGS /
WALL MOUNT WALL MOUNT RECESSED FLUSH LENS

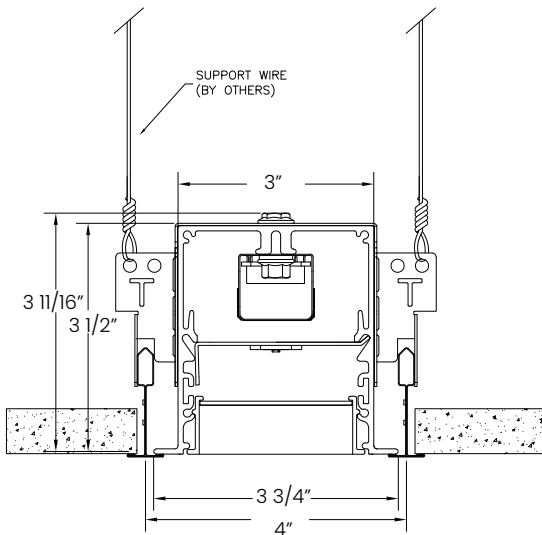
LOUVER



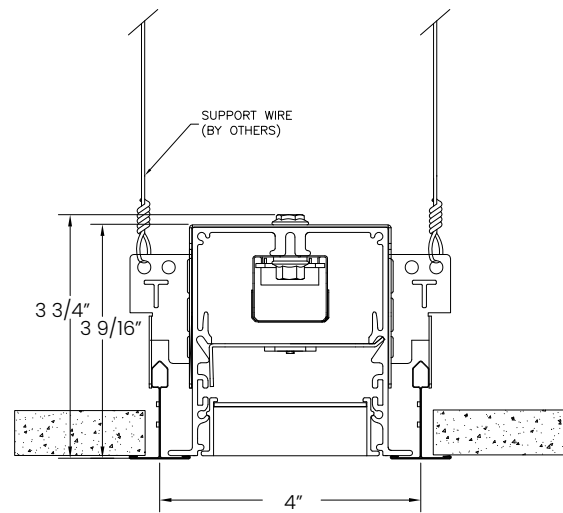
N1
Trimless 1/2"



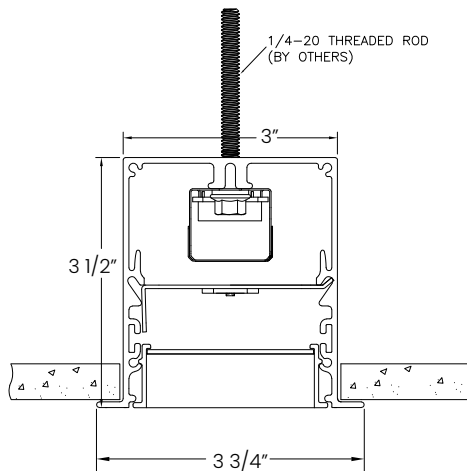
N5
Trimless 5/8"



G9
Grid 9/16" flat T grid



G15
Grid 15/16" flat T grid



F
Flange Trim for drywall

MLS3

LINEAR LED ILLUMINATING SYSTEM RECESSED MOUNT FOR DRYWALL / GRID CEILINGS / WALL MOUNT WALL MOUNT RECESSED FLUSH LENS



HOUSINGS

Extruded aluminum profile in a 0.080-inch wall thickness. Maximum length of each linear component is 12-ft. .060 aluminum ends are provided where needed at row termini. 18GA steel ends are provided where needed at row termini. Computer-controlled cutting and TIG welding for zero-tolerance mitered corners. A one-piece 14GA galvanized steel joiner/aligner bracket is also provided for each corner and for each joint between housings. Internal cold-rolled steel components. Housing intended for recessing into drywall and grid type ceiling systems. Wall side of housing mounts directly to the wall. With drywall trimless fit ceiling types, housing opposite wall side requires plaster-in by ceiling contractor. Easy-use grid pry outs provided. Trimless housing for plaster-in or overlapping flange trim. See ceiling types section. A custom formulated non-glare matte-white polyester powder coating provides an extremely durable and long-lasting finish.

DIFFUSERS

Seamless fit diffusers. Flawless and consistent end-to-end fit. **HTA diffuser:** extruded from custom formulated high transmission white acrylic material. Specify when the highest performance levels are required. Allows maximum light transmission while eliminating pixilation and hot spots. **ASO diffuser:** extruded from custom formulated smooth opal acrylic material. Specify when a more esthetically white appearance is desired. Note: reduces performance by up to 25%. Smooth finish on both diffusers compliments the architectural elements.

LED MODULES

High performance linear configured LED module boards. Each board consists of multiple mid-power, high efficacy LEDs in a precise layout eliminating the need for supplemental heat sinking. The boards produce an even and diffuse light which maximizes optical efficiency. Compatible with the dimming performance of the LED driver. Color temperatures available 80 CRI: 3000K, 3500K and 4000K. Upon request: 5000K. Color temperatures available 90 CRI: 2700K, 3000K, 3500K and 4000K.

TUNABLE WHITE OPTION

Field tunable range 2700K through 6500K. 80CRI.

LED DRIVERS

Factory programmable constant current LED power supply. Multiple standard drive current outputs (factory set by Mercury) are cataloged with their corresponding lumens per-foot offering. Upon request, custom drive current outputs and lumens-per-foot options are available. Note: Certain cataloged lumens-per-foot offerings may be provided with a non-programmable constant current LED power supply at Mercury's discretion. Contact factory if critical. Universal voltage input, 120V-277V, 50HZ-60HZ. Continuous dimming capability down to 1%-standard. 0.1% available upon request. Dim to Dark option available upon request. Sensor ready (SR) drivers compatible with most lighting controls are optional. Consult factory. Lutron driver available: LDE1 series

STANDBY LIGHTING OPTIONS

Self-contained module, 10W or 12W as specified. Battery backup upon loss of power. Available in modules of 4-ft. and longer. (Limited to 625 Lumens per foot packages). Igor emergency nodes available.

INTEGRAL LIGHTNING OPTIONS

Various lighting controls and sensors are optional. Consult factory.

CORNERS

Standard 90 degree corners for inside or outside turns. Custom angled corners.

INSTALLATIONS

Designed for recessed installation into acoustical grid and drywall ceiling systems. See ceiling types section. Availability for various types; 15/16" grid, 9/16" grid, 9/16" screw-slot, 9/16" interlude, 15/16" tegular, 9/16" tegular. Wall side of housing mounts directly to the wall. Trimless housing opposite wall side requires plaster in by ceiling contractor. Trimless housing requires plastering-in after installation. Overlapping trim neatly closes off drywall opening. For all recessed grid applications see appropriate specification sheets for those ceiling types. Grid pry outs lock over top of gridwork. Auxiliary suspension required to building structure. Lengths of 12-ft. and less to use one housing with two ends pre-installed. Lengths over 12-ft. will be engineered to job requirements using multiple housings with one end pre-installed at each row end. Lengths over 12-ft. will include appropriate job required quick-connect plug-thru wire harnesses and housing joiners. Wiring access plate provided on top. End plates have 7/8" Ks.

CERTIFICATE OF SAFETY COMPLIANCE AND LISTINGS

Luminaire: UL and CUL listed 1598 and bears their label. Suitable for damp locations. Optional: Suitable for wet locations marking is available. Some limitations apply. Contact factory for all details. IC rated. CCEA option meets the City of Chicago Environmental Air specifications.

LIGHTNING PROGRAM

Same quality product, shipped in 15 days or less (if drawings are required, 15 days or less starts after drawings are released). Entire order must qualify for [Lightning Program](#) in order to meet freight charges. Please contact our sales team if unsure your order will qualify. Options highlighted in Blue, 500 linear feet or less, are eligible for quick ship [Lightning Program](#). Relates to straight runs ONLY. Other variations not highlighted in blue may be available under [Lightning Program](#). Please consult factory. Specify LP-MLS3 when placing order if you would like to use [Lightning Program](#).

WARRANTY

5-year limited warranty is standard. Special 10-year warranty available on a job-to-job basis. Complete LED warranty terms available at www.mercltg.com. Actual performance may differ as a result of end user environment and application. Most LED luminaires are suitable to operate in ambient temperatures from -20C (-4F) to 25C (77F). The following exclusions apply: Luminaires with standby lighting option, integral lighting controls options, or wireless control options. Consult factory. LM-79 testing was measured under a controlled 25C (77F) ambient operating temperature.