

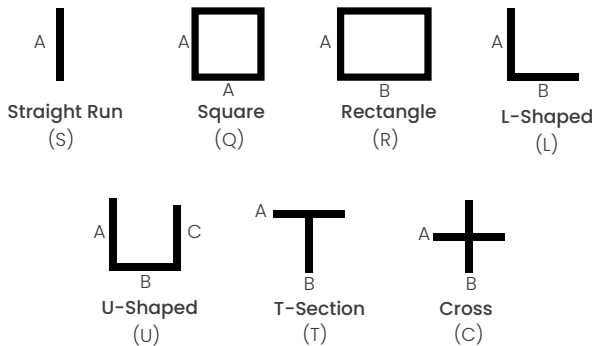
MLS3-M



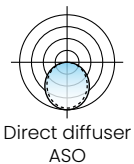
SUSPENDED OR SURFACE MOUNT



SHAPES/PATTERNS



For other shapes/patterns/runs consult the factory.



FEATURES

- Network Powered Lighting via smartengine by wtec.
- Tunable White feature via smartengine's human centric smart lighting.
- Extruded aluminum housings produce perfectly straight lines of light.
- Narrow 3-inch wide profile.
- Linear lengths; 2-ft. and above in increments of one-inch.
- Standard and custom corners, crosses and T-sections offer the ability to design unlimited patterns, shapes and runs.
- Custom formulated high diffusion extruded acrylic lens.
- Non-glare matte-white polyester powder coating finish.
- Cable or stem mount from ceiling, or direct surface mount.
- Cataloged standard or custom set lumens-per-foot performances.
- 80 CRI standard. 90 CRI available.
- Fixture lumens per watt ratios up to 93.
- Lighting controls and sensors.
- American Made.

PERFORMANCE - ASO

Based on 4ft. Module, 3500K, 80 CRI, ASO Diffuser

Lumens per Foot (LF)	Delivered Lumens (L)	System Watts (W)	Lumens per Watt (LPW)
400	1600	17.2	93
500	2000	21.8	92
625	2500	27.8	90
890	3560	41.7	85

Actual performance may differ by +/- 5% when operating between 12V-42VDC.

- Multiplier for other Color Temp (K)
- 3000K 97%
 - 3500K 100%
 - 4000K 102%
 - 5000K 103%



Fixture type:

Job information:

PRODUCT DEFINITION SHEET

Ex: **MLS3-M-48-Q18-350-1470L/16W-1CH-35K-ASO-BABA**

1	2	3	4	5	6	7	8	9	10

1	2	3	4
SERIES	MOUNTING	LENGTH	SHAPE (ENTER LENGTH IN PRODUCT CODE ABOVE)
<input type="checkbox"/> MLS3 LightStreams 3	<input type="checkbox"/> M Suspended Cable Mount <input type="checkbox"/> M1 Surface Mount <input type="checkbox"/> M2 Suspended Stem Mount	<input type="checkbox"/> 48 48" Length <input type="checkbox"/> 96 96" Length Custom or Row Length. 24" and above in 1" increments. Ex. in inches: 82, 384, etc.	<input type="checkbox"/> S__ Individual/Straight Run Section (enter length, ex. S18) <input type="checkbox"/> Q__ Square Configuration (enter side length A, ex: Q18) <input type="checkbox"/> R__/_ Rectangular Configuration (enter side lengths A and B, ex. R12/24) <input type="checkbox"/> L__/_ L-Shaped Configuration (enter side lengths A and B, ex. L12/24) <input type="checkbox"/> U__/_/_ U-Shaped Configuration (enter side lengths A, B, and C, ex. U12/12/24) <input type="checkbox"/> T__/_ T-Section (enter side lengths A and B, ex. T12/24) <input type="checkbox"/> C__/_ Cross Configuration (enter side lengths A and B, ex. C12/24)

All corners of shape must be 90°, same plane
 Lengths greater than 8' consist of multiple individual housing sections joined together. Lengths are nominal and may vary based on lamping and other specification selections. Consult Mercury when exact lengths are required. Consult factory for corners other than 90°

5	6	7	6	9
DRIVE CURRENT	DELIVERED LUMENS	NUMBER OF CHANNELS	COLOR TEMP-CCT	DIFFUSER
48" <input type="checkbox"/> 350 <input type="checkbox"/> 500 <input type="checkbox"/> 700 96" <input type="checkbox"/> 700 <input type="checkbox"/> 1000 <input type="checkbox"/> 1400 Custom Lumen Packages.	48" <input type="checkbox"/> 1470L / 16W <input type="checkbox"/> 2070L / 22W <input type="checkbox"/> 2850L / 32W 96" <input type="checkbox"/> 2940L / 31W <input type="checkbox"/> 4140L / 44W <input type="checkbox"/> 5700L / 64W Custom Lumen Packages.	48" <input type="checkbox"/> 1 CH <input type="checkbox"/> 1 CH <input type="checkbox"/> 1 CH 96" <input type="checkbox"/> 1 CH <input type="checkbox"/> 2 CH <input type="checkbox"/> 2 CH Custom Lumen Packages.	80 CRI <input type="checkbox"/> 30K 3000K <input type="checkbox"/> 35K 3500K <input type="checkbox"/> 40K 4000K <input type="checkbox"/> 50K 5000K Upon request <input type="checkbox"/> TW Tunable White 2700K-6500K 90 CRI <input type="checkbox"/> 927K 2700K <input type="checkbox"/> 930K 3000K <input type="checkbox"/> 935K 3500K <input type="checkbox"/> 940K 4000K	<input type="checkbox"/> ASO Acrylic Smooth Opal

OPTIONS

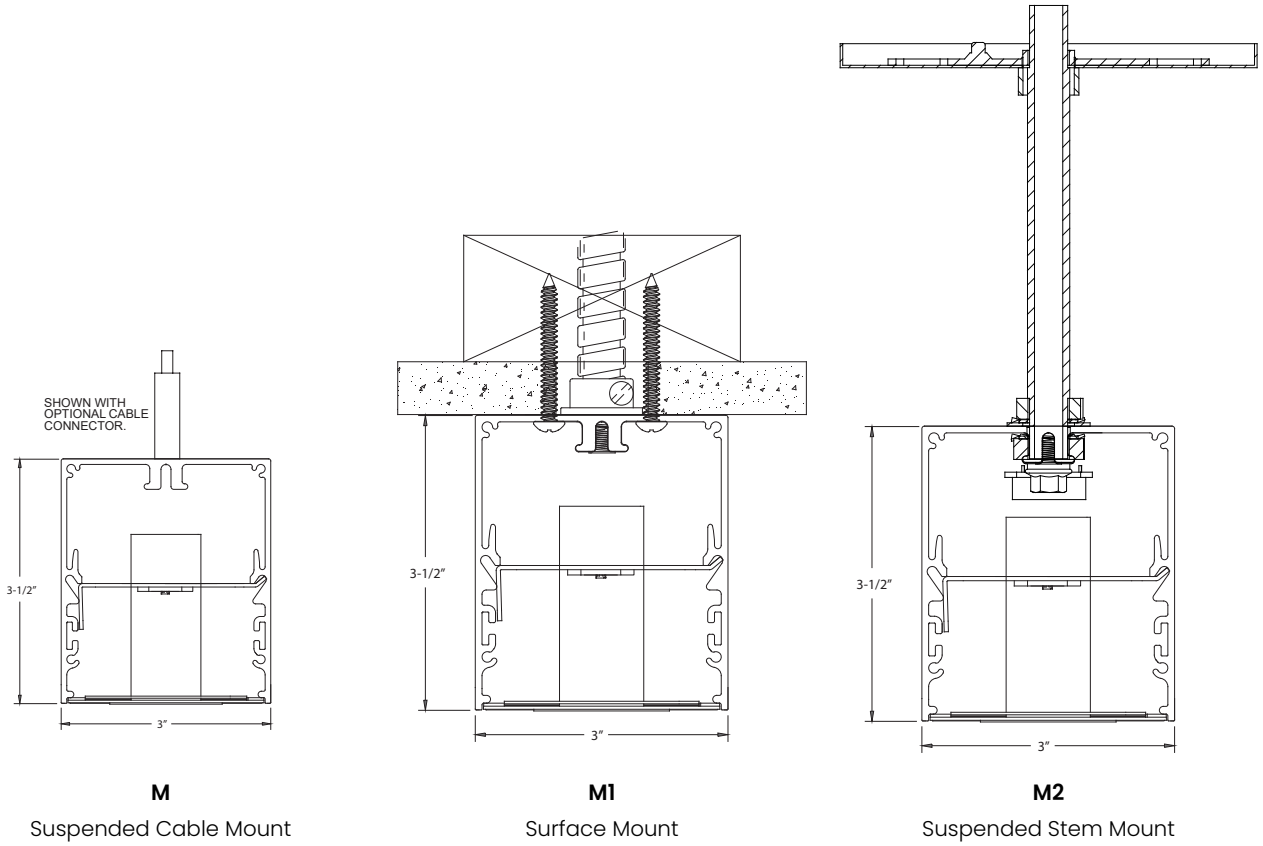
10	MISC.	CUSTOM HANGING POINTS	CUSTOM PAINT COLORS
	<input type="checkbox"/> WL UL "Suitable for Wet Locations" labeled. <input type="checkbox"/> BABA Consult factory	<input type="checkbox"/> As Specified	<input type="checkbox"/> As Specified

MLS3-M

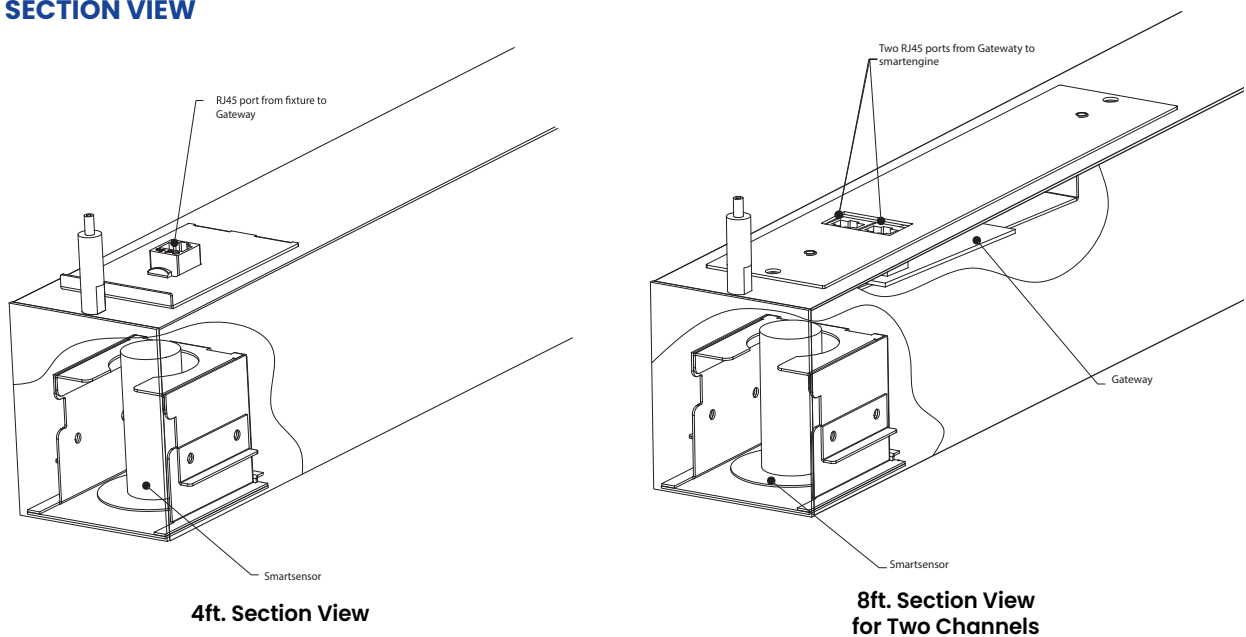
SUSPENDED OR SURFACE MOUNT



MOUNTING

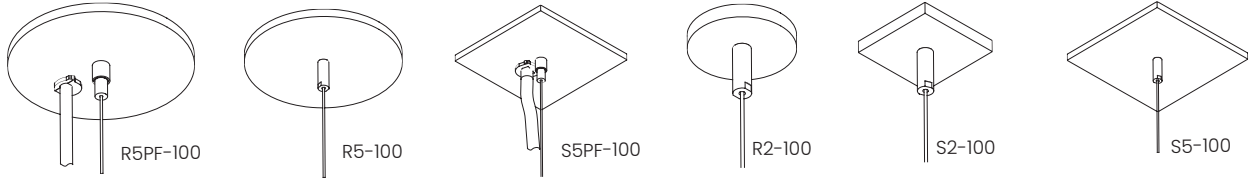


SECTION VIEW

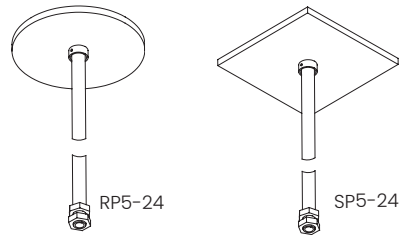


HANGING ACCESSORIES

CABLE SETS



STEM SETS

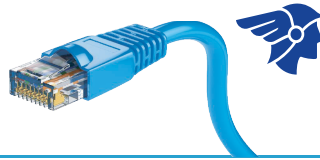


PART #	DESCRIPTION
R5PF-100	Round 5" power feed canopy, Hanging hardware, 100" long 1/16" cable.
S5PF-100	Square 5" power feed canopy, Hanging hardware, 100" long 1/16" cable.
R5-100	Round 5" canopy, Hanging hardware, 100" long 1/16" cable.
R2-100	Round 2" canopy, Hanging hardware, 100" long 1/16" cable.
S5-100	Square 5" canopy, Hanging hardware, 100" long 1/16" cable.
S2-100	Square 2" canopy, Hanging hardware, 100" long 1/16" cable.
RP5-24	Round 5" canopy, Hanging hardware, 24" long 1/2" dia. stem.
SP5-24	Square 5" canopy, Hanging hardware, 24" long 1/2" dia. stem.

Other cable and stem lengths available. Consult factory.

MLS3-M

SUSPENDED OR SURFACE MOUNT



MERCURY
Lighting Progress

HOUSINGS

Extruded aluminum profile in a 0.080-inch wall thickness. Maximum length of each linear component is 12-ft. .060 aluminum ends are provided where needed at row termini. A one-piece 14GA galvanized steel joiner/aligner bracket is provided for each joint between housings. Internal cold-rolled steel components. Standard or custom hanging points are provided. A custom formulated non-glare matte-white polyester powder coating provides an extremely durable and long-lasting finish. Custom color finishes on request.

DIFFUSERS

Seamless fit diffusers. Flawless and consistent end-to-end fit.
HTA Diffuser: extruded from custom formulated high transmission white acrylic material. Specify when the highest performance levels are required.
ASO Diffuser: extruded from custom formulated acrylic smooth opal material. Specify when a more esthetically white appearance is desired.
Smooth finish compliments the architectural elements.

LED MODULES

High performance linear configured LED module boards. Each board consists of multiple mid-power, high efficacy LEDs in a precise layout eliminating the need for supplemental heat sinking. The boards produce an even and diffuse light which maximizes optical efficiency. Compatible with the dimming performance of the LED driver. Color temperatures available 80 CRI: 3000K, 3500K and 4000K. Upon request: 5000K. Color temperatures available 90 CRI: 2700K, 3000K, 3500K and 4000K.

SMARTENGINE

Network Powered Lighting delivers 18-48V and 150 700mA to power control light fixtures from a central smartengine device. No driver, node or active component at the fixture level. Factory or field programmable for custom drive currents offering desired lumen-per-foot performance. Integrated smartsensor or an RJ45 whip for external smartsensor. Smartsensor provides temperature, motion, light level, energy consumption and optimal BLE. Each channel will require a home run back to the smartengine.

EMERGENCY LIGHTING – OPTIONAL

smartengine is UL924 Listed.

TUNABLE WHITE OPTION

Field tunable range 2700K through 6500K. 80CRI.

CORNERS AND PATTERNS

Standard 90-degree corners. Custom angled corners, crosses and T-sections. Consult factory.

INSTALLATIONS

Designed to be suspended on cables. Specify **M** For direct surface mounting to most ceiling types, specify **M1** and consult factory. For stem mounting specify **M2** and consult factory. Lengths of 12-ft. and less to use one housing with two ends pre-installed. Lengths over 12-ft. will be engineered to job requirements using multiple housings with one end pre installed at each row end. Lengths over 12-ft. will include appropriate job required quick-connect plug-thru wire harnesses and housing joiners. All individual modules or multiple module runs to include job required feed wire as specified. Standard or custom hanging points will be provided per job specifications.

CERTIFICATE OF SAFETY COMPLIANCE AND LISTINGS

Luminaire: UL and CUL listed 1598 and bears their label. Suitable for damp locations. Optional: Suitable for wet locations marking is available. Some limitations apply. Contact factory for all details.

WARRANTY

5-year limited warranty is standard. Special 10-year warranty available on a job-to-job basis. Complete LED warranty terms available at www.mercitg.com Actual performance may differ as a result of end-user environment and application. Most LED luminaires are suitable to operate in ambient temperatures from -20C (-4F) to 25C (77F). The following exclusions apply: Luminaires with standby lighting option, integral lighting controls options, or wireless control options. Consult factory. LM-79 testing was measured under a controlled 25C (77F) ambient operating temperature.