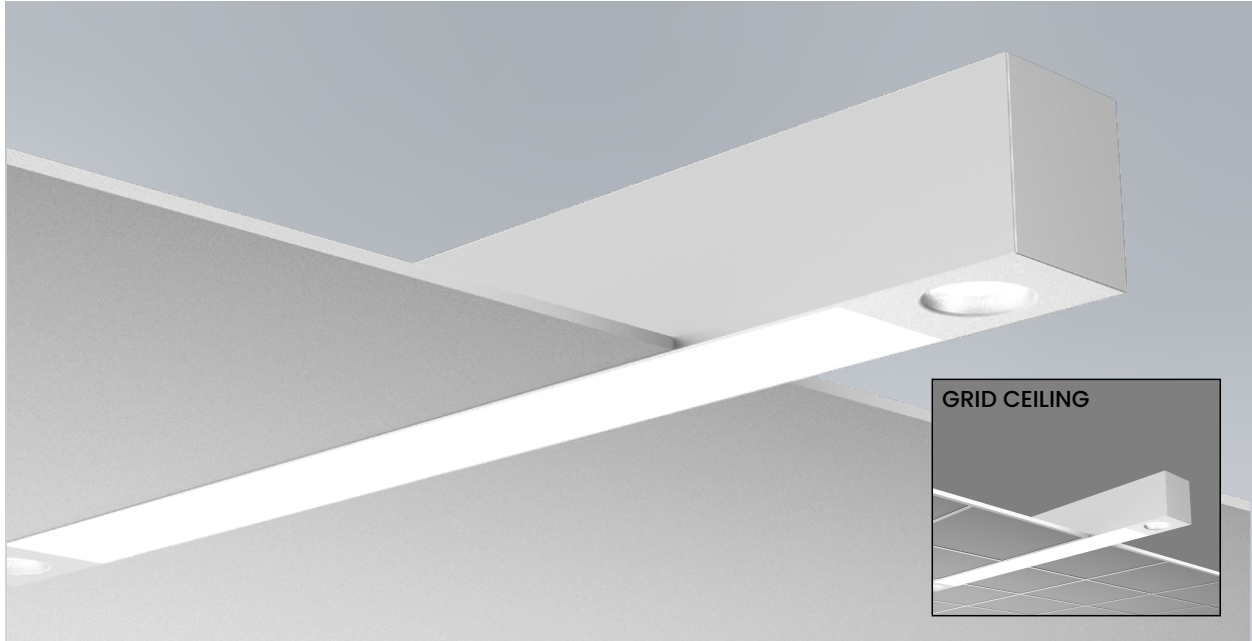


MLS3-DL

**DYNAMIC DOWNLIGHT MODULES DL
ACCENT LIGHTING COMBINED WITH LINEAR LED SYSTEM
RECESSED MOUNT FOR DRYWALL & GRID CEILINGS**



LINEAR FEATURES

- Extruded aluminum housings produce perfectly straight lines of light.
- Narrow 3" wide profile
- Linear lengths; 4Ft., 8Ft. or 12Ft. Custom lengths and runs consult factory.
- Custom formulated high diffusion extruded acrylic lens.
- Non-glare matte-white polyester powder coating finish.
- Recessed for various ceiling types.
- Cataloged standard or custom set lumens-per-foot performances.
- 80 CRI standard. 90 CRI available.
- Fixture lumens per watt ratios up to 118.
- Lighting controls and sensors.
- American Made.

DOWNLIGHT FEATURES

- Dynamic Xicato LED downlights add ambient and accent lighting as an integral part of the MLS3 linear LED illuminating system.
- Proprietary die-cast aluminum trim with 3/8" splayed regression.
- Trim available in white or black.
- Combines to create a unique multi-function system.
- Each downlight modules (DL) deliver up to 1000 lumens.
- Typically positioned on or near 4Ft. on centers.
- Custom positioning on request.
- Color temperatures available: 3000K or 3500K. Others upon request.
- CRI 90.
- Angle beam: 33-degree standard. Upon request 48 and 62 degrees.



Fixture type:	Job information:
<input type="text"/>	<input type="text"/>

PRODUCT DEFINITION SHEET

Ex: **MLS3-DL-F-48-825-935K-HTA-1-U-SR-5-30K-33-B**

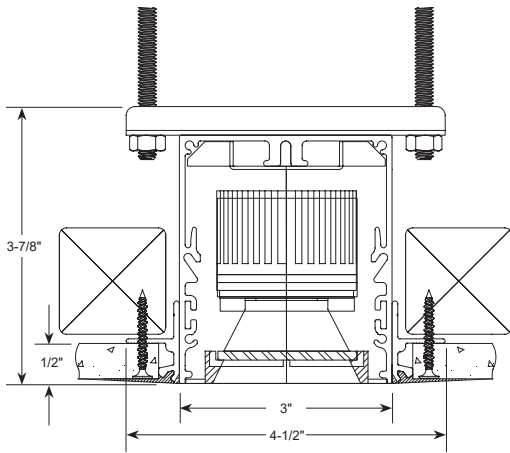
1	2	3	4	5	6	7	8	9	10	11	12	13
---	---	---	---	---	---	---	---	---	----	----	----	----

LINEAR FEATURES				
1	2	3	4	5
SERIES	MOUNTING	LENGTH	LUMENS/FT	COLOR TEMP-CCT
<input type="checkbox"/> MLS3-DL LightPoints 3 Dynamic Downlight	<input type="checkbox"/> N5 Trimless 5/8" <input type="checkbox"/> NI Trimless 1/2" <input type="checkbox"/> F Flange Trim for drywall <input type="checkbox"/> G9 Grid 9/16" flat T grid <input type="checkbox"/> G15 Grid 15/16" flat T grid <input type="checkbox"/> S Screw Slot <input type="checkbox"/> T9 9/16" Tegular <input type="checkbox"/> T15 15/16" Tegular	<input type="checkbox"/> 48 48" Length <input type="checkbox"/> 96 96" Length <input type="checkbox"/> 144 144" Length Custom lengths: Consult Factory	<input type="checkbox"/> 400 <input type="checkbox"/> 500 <input type="checkbox"/> 625 <input type="checkbox"/> 825 <input type="checkbox"/> 900 <input type="checkbox"/> 1000 Custom Lumen Packages. Packages with ASO diffuser. Contact Factory.	80 CRI <input type="checkbox"/> 30K 3000K <input type="checkbox"/> 35K 3500K <input type="checkbox"/> 40K 4000K <input type="checkbox"/> 50K 5000K Upon request 90 CRI <input type="checkbox"/> 927K 2700K <input type="checkbox"/> 930K 3000K <input type="checkbox"/> 935K 3500K <input type="checkbox"/> 940K 4000K

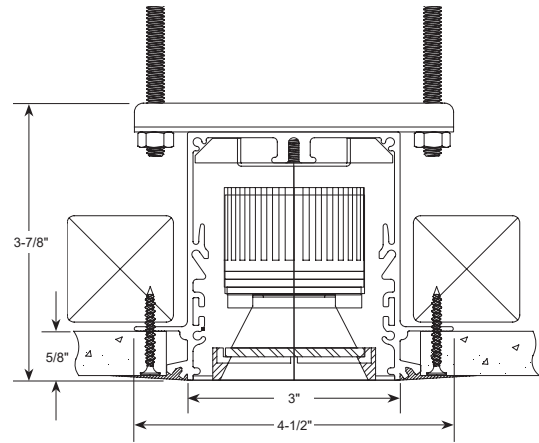
LINEAR FEATURES			
6	7	8	9
DIFFUSER	DRIVER	VOLTAGE	SENSOR READY
<input type="checkbox"/> HTA High Transmission Acrylic <input type="checkbox"/> ASO Acrylic Smooth Opal (Performance is reduced with this diffuser)	<input type="checkbox"/> 1 0-10V 1% Dimming <input type="checkbox"/> - As Specified	<input type="checkbox"/> U Uni 120-277V <input type="checkbox"/> 1 120V <input type="checkbox"/> 7 277V <input type="checkbox"/> - As specified Please verify at the time of release if 120V or 277V is required. Although drivers are universal voltage, a specific voltage is required to determine amp draw as well as voltage specific flexes and/or plug thrus as needed.	<input type="checkbox"/> SR Sensor Ready Required for Certain Controls, Contact Mercury Lighting

DOWNLIGHT MODULES			
10	11	12	13
DOWNLIGHT MODULE LUMENS	COLOR TEMP-CCT	BEAM ANGLE	TRIM FINISH
<input type="checkbox"/> - As Specified Up to 1000	90 CRI <input type="checkbox"/> 30K 3000K <input type="checkbox"/> 35K 3500K	<input type="checkbox"/> 33 Standard <input type="checkbox"/> 48 <input type="checkbox"/> 62 Available Upon Request	<input type="checkbox"/> B Black <input type="checkbox"/> W White

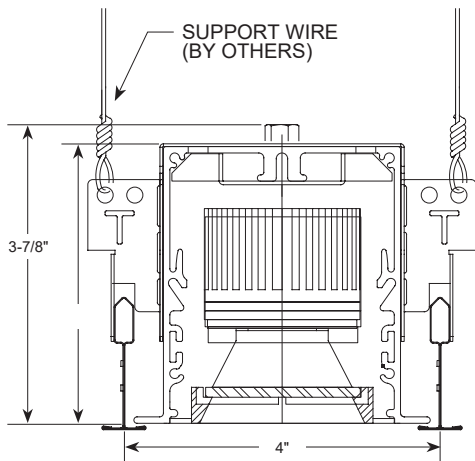
MOUNTING



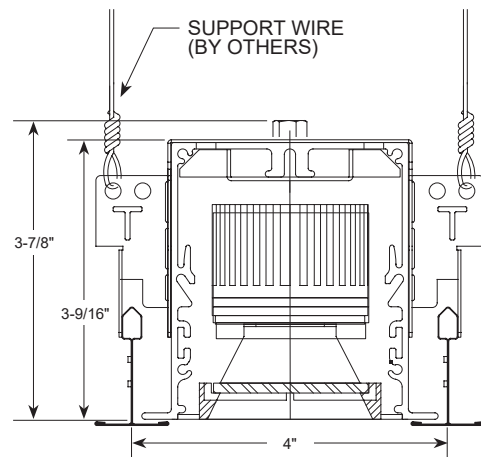
N1
 Trimless 1/2"



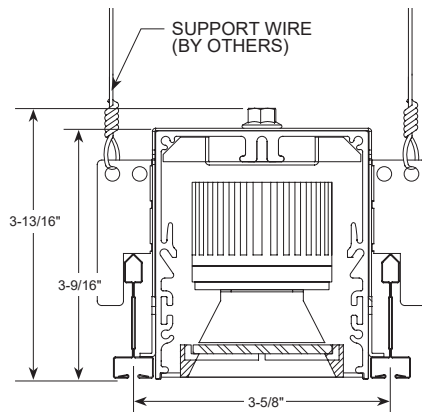
N5
 Trimless 5/8"



T9
 9/16" Regular

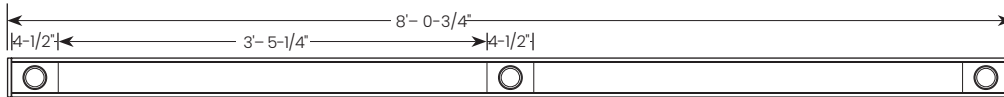
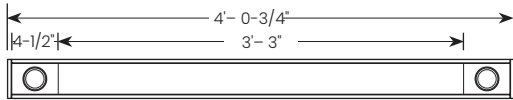


T15
 15/16" Regular

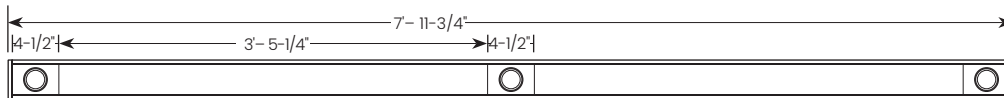
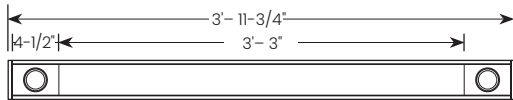


S
 Screw Slot

DOWNLIGHT LAYOUT
GRID CEILING



DRYWALL CEILING



TYPICAL 4FT. AND 8FT. INDIVIDUAL UNITS
FOR OTHER SIZES AND RUN/PATTERN LAYOUTS
CONSULT FACTORY

HOUSINGS

Extruded aluminum profile in a 0.080-inch wall thickness.
Maximum length is 12Ft.
.060 aluminum ends are provided.
Internal cold-rolled steel components.
Housing intended for recessing into grid type ceiling systems.
A custom formulated non-glare matte-white polyester powder coating provides an extremely durable and long-lasting finish.

DIFFUSERS

Seamless fit diffusers. Flawless and consistent end to-end fit.
Standard diffuser: extruded from custom formulated high transmission white acrylic material. Allows maximum light transmission while eliminating pixilation and hot spots.
Optional diffuser: extruded from acrylic smooth opal material. Offers a more esthetically white appearance. Note: reduces performance by up to 25%.
Smooth finish on both diffusers compliments the architectural elements.

LED MODULES

High performance linear configured LED module boards.
Each board consists of multiple mid-power, high efficacy LEDs in a precise layout eliminating the need for supplemental heat sinking.
The boards produce an even and diffuse light which maximizes optical efficiency.
Compatible with the dimming performance of the LED driver.
Color temperatures available 80 CRI: 3000K, 3500K and 4000K. Upon request: 5000K.
Color temperatures available 90 CRI: 2700K, 3000K, 3500K and 4000K.

LED DRIVERS

Factory programmable constant current LED power supply.
Multiple standard drive current outputs (factory set by Mercury) are cataloged with their corresponding lumens per-foot offering. Upon request, custom drive current outputs and lumens-per-foot options are available.
Note: Certain cataloged lumens-per-foot offerings may be provided with a non-programmable constant current LED power supply at Mercury's discretion. Contact factory if critical.
Universal voltage input, 120V-277V, 50HZ-60HZ.
Specification grade dimming down to 1% on 0-10V dimming controls.
Lutron drivers available: LDEI and LDE5 series.

DOWNLIGHT MODULES

Xicato Designer Series XTM.
Complete assembly includes heat sink adapter and reflector.
Proprietary die-cast aluminum trim with 3/8" splayed regression.
Trim available in white or black.
Each downlight modules (DL) deliver up to 1000 lumens.
Typically positioned on or near 4Ft. on centers.
Custom positioning on request.
Color temperatures available: 3000K or 3500K. Others upon request.
CRI 90.
Angle beam: 33-degree standard.
Upon request 48 and 62 degrees.

DOWNLIGHT DRIVERS

Each downlight has its own constant current driver mounted inside the luminaire as an integral component.
Universal voltage input, 120V-277V, 50HZ-60HZ.
Specification grade dimming down to 1% on 0-10V dimming controls.

STANDBY LIGHTING OPTIONS

Consult factory for all standby options.

INTEGRAL LIGHTING OPTIONS

Various lighting controls and sensors are optional.
Consult factory.

CONTINUOUS RUNS, CORNERS AND PATTERNS

Please consult factory with any special requirements

INSTALLATIONS

Designed for recessed installation into acoustical grid and drywall ceiling systems.
See ceiling types section.
Available for various types; 15/16" grid, 9/16" grid, 9/16" screw-slot, 9/16" interlude.
Grid pry outs lock over top of gridwork. Auxiliary suspension required to building structure.
Trimless housing requires plastering-in after installation.
Overlapping flange trim neatly closes off drywall opening.
Auxiliary suspension required to building structure.
Wiring access plate provided on top. End plates have 7/8" KO.

CERTIFICATE OF SAFETY COMPLIANCE AND LISTINGS

Luminaire: UL and CUL listed 1598 and bears their label. Suitable for damp locations.

WARRANTY

5-year limited warranty is standard. Special 10-year warranty available on a job-to-job basis. Complete LED warranty terms available at www.mercltg.com.
Actual performance may differ as a result of end user environment and application.
Most LED luminaires are suitable to operate in ambient temperatures from -20C (-4F) to 25C (77F).
The following exclusions apply: Luminaires with standby lighting option, integral lighting controls options, or wireless control options. Consult factory.
LM-79 testing was measured under a controlled 25C (77F) ambient operating temperature.