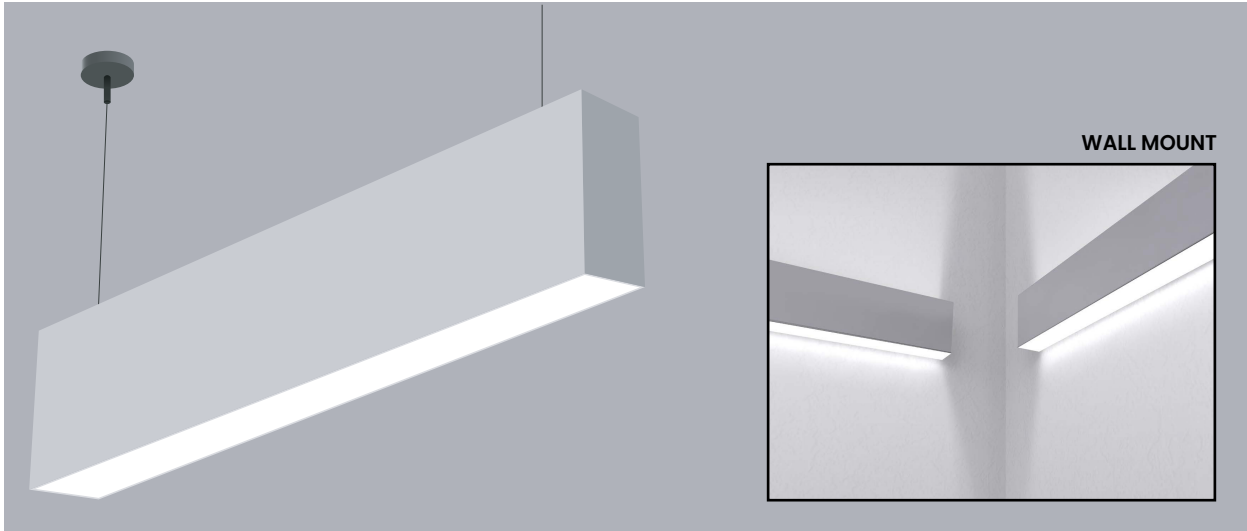
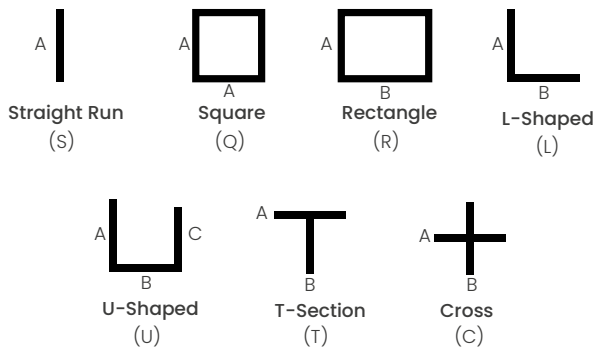


MLS2

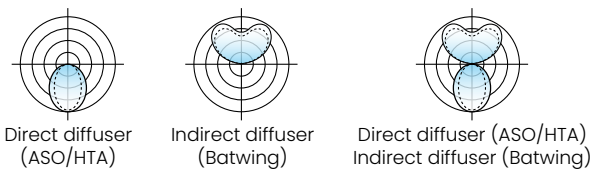
LINEAR LED ILLUMINATING SYSTEM
SUSPENDED / SURFACE MOUNT / WALL MOUNT
DIRECT ONLY / INDIRECT ONLY / DIRECT/INDIRECT



SHAPES/PATTERNS



For other shapes/patterns/runs consult the factory.



Fixture type:	Job information:

FEATURES

- Extruded aluminum housing.
- Narrow 2" wide profile.
- Linear lengths; 2-ft. and above in increments of one-inch.
- Custom formulated high diffusion extruded acrylic lens.
- Non-glare matte-white polyester powder coating finish.
- Dual directional illumination. Direct downlighting and indirect uplighting.
- Indirect uplighting while being suspended from a ceiling.
- Wall mounted dual, direct and indirect illumination.
- Direct downlighting and indirect uplighting for wall grazing and general illumination.
- Standard and custom corners, crosses and T-sections offer the U E ability to design unlimited patterns, shapes and runs.
- Custom colors available.
- Cable mount from ceiling.
- Cable or stem mount from ceiling, or direct surface mount.
- Wall mounting system provides a half-inch standoff.
- Cataloged standard or custom set lumens-per-foot performances.
- 80 CRI standard. 90 CRI available.
- Continuous dimming capability down to 1% on 0-10V controls.
- Fixture lumens per watt ratios up to 139.
- Tunable white feature optional.
- Lighting controls and sensors.
- Standard and custom corners
- American Made.
- A new extrusion with a shallower overall height of 2-1/8" and 4-1/8".
- A new custom designed batwing-type indirect diffuser. Spreads light from the linear LED boards into two distinct side lobes. When projected onto the ceiling the results are a very consistent and wide spread of indirect illumination.
- New additional drop-down or pop-up diffuser options.
- Lightning Program eligible (ships in 15 days or less): See ordering data for options.



PRODUCT DEFINITION SHEET

All options highlighted in **BLUE** are eligible for **Lightning Program** (same quality product, shipped in 15 days or less)

Ex: **MLS2-DI-144-S18-825-900-35K-HTA-BW-1-2C-U-EM12-WL-SR-AU**

1	2	3	4	5	6	7	8
9	10	11	12	13	14	15	16

1	2	3	4
SERIES	MOUNTING	LENGTH	SHAPE (ENTER LENGTH IN PRODUCT CODE ABOVE)
<input type="checkbox"/> MLS2 LightStreams	<input type="checkbox"/> DI Direct/Indirect Suspended	<input type="checkbox"/> 48 48" Length	<input type="checkbox"/> S__ Individual/Straight Run Section (enter length, ex. S18)
<input type="checkbox"/> LP-MLS2 Lightning Program	<input type="checkbox"/> DISM Direct/Indirect Suspended Stem Mount	<input type="checkbox"/> 96 96" Length	<input type="checkbox"/> Q__ Square Configuration (enter side length A, ex. Q18)
	<input type="checkbox"/> I Indirect Suspended	<input type="checkbox"/> 144 144" Length	<input type="checkbox"/> R_/_/_ Rectangular Configuration (enter side lengths A and B, ex. R12/24)
	<input type="checkbox"/> M Direct Suspended Cable Mount		<input type="checkbox"/> L_/_/_ L-Shaped Configuration (enter side lengths A and B, ex. L12/24)
	<input type="checkbox"/> M1 Direct Surface Mount	Custom or Row Length. 24" and above in 1" increments. Ex. in inches: 82, 384, etc.	<input type="checkbox"/> U_/_/_/_/_ U-Shaped Configuration (enter side lengths A, B, and C, ex. U12/12/24)
	<input type="checkbox"/> M2 Direct Suspended Stem Mount		<input type="checkbox"/> T_/_/_ T-Section (enter side lengths A and B, ex. T12/24)
	<input type="checkbox"/> WDI Wall Mount Direct/Indirect		<input type="checkbox"/> C_/_/_ Cross Configuration (enter side lengths A and B, ex. C12/24)
	<input type="checkbox"/> WMD Wall Mount Direct		
	<input type="checkbox"/> WMI Wall Mount Indirect		

All corners of shape must be 90°, same plane. Lengths greater than 8' consist of multiple individual housing sections joined together. Lengths are nominal and may vary based on lamping and other specification selections. Consult Mercury when exact lengths are required. Consult factory for corners other than 90°

5	6	7	8	9	10
LUMENS/FT DIRECT	LUMENS/FT INDIRECT	COLOR TEMP-CCT	DIFFUSER DIRECT	DIFFUSER INDIRECT	DRIVER
HTA	BW	80 CRI	<input type="checkbox"/> HTA High Transmission Acrylic	<input type="checkbox"/> BW Batwing Indirect	<input type="checkbox"/> 1 0-10V 1% Dimming
<input type="checkbox"/> 400	<input type="checkbox"/> 400	<input type="checkbox"/> 30K 3000K	<input type="checkbox"/> ASO Acrylic Smooth Opal		<input type="checkbox"/> IDD 0-10% Dimming Dim to Dark
<input type="checkbox"/> 500	<input type="checkbox"/> 500	<input type="checkbox"/> 35K 3500K			<input type="checkbox"/> eL eldoLED Solo 0.1%
<input type="checkbox"/> 625	<input type="checkbox"/> 625	<input type="checkbox"/> 40K 4000K			<input type="checkbox"/> LDE1 Lutron Hi- Lume
<input type="checkbox"/> 825	<input type="checkbox"/> 825	<input type="checkbox"/> 50K 5000K Upon request			<input type="checkbox"/> - As Specified
<input type="checkbox"/> 960	<input type="checkbox"/> 900	<input type="checkbox"/> TW Tunable White 2700K-6500K			
ASO	<input type="checkbox"/> 1200	90 CRI			
<input type="checkbox"/> 400		<input type="checkbox"/> 927K 2700K			
<input type="checkbox"/> 500		<input type="checkbox"/> 930K 3000K			
<input type="checkbox"/> 625		<input type="checkbox"/> 935K 3500K			
<input type="checkbox"/> 670*		<input type="checkbox"/> 940K 4000K			

*For direct light only

Custom Lumen Packages.

OPTIONS

11	12	13	14	15	16
CIRCUITING	VOLTAGE	STANDBY MODULES	MISC.	SENSOR READY	LIGHTING CONTROLS
<input type="checkbox"/> 1C Direct + Indirect dim together	<input type="checkbox"/> U Uni 120-277V	<input type="checkbox"/> EM10 Emergency Battery 10W	<input type="checkbox"/> WL UL "Suitable for Wet Locations" labeled	<input type="checkbox"/> SR Sensor Ready	<input type="checkbox"/> AU Autani
<input type="checkbox"/> 2C Direct and Indirect controlled independently	<input type="checkbox"/> 1 120V	<input type="checkbox"/> EM12 Emergency Battery 12W	<input type="checkbox"/> BABA Consult factory	Required for Certain Controls, Contact Mercury Lighting	<input type="checkbox"/> AVI Avi-On
Contact Mercury for adding additional zones, separated zones/circuits, etc	<input type="checkbox"/> 7 277V	<input type="checkbox"/> NO OPTION			<input type="checkbox"/> CA Casambi
	Please verify at the time of release if 120V or 277V is required. Although drivers are universal voltage, a specific voltage is required to determine amp draw as well as voltage specific flexes and/or plug thrus as needed.	Available in modules of 4-ft. and longer.			<input type="checkbox"/> LV Leviton
					<input type="checkbox"/> LT Lutron
					<input type="checkbox"/> NL nLight
					<input type="checkbox"/> PS Philips/Signify
					<input type="checkbox"/> WA Wattstopper
					<input type="checkbox"/> CU Current nx
					<input type="checkbox"/> NO No option

Consult Mercury Lighting for further information and other options.

Mercury should be notified if the controls are to be Wireless, Networked Lighting Controls, 0-10V Dimming, DMX, etc.

If controls aren't specified, the fixture ships 0-10V, 1% dimming, unified D/I control.

CUSTOM HANGING POINT	CUSTOM PAINT COLORS
<input type="checkbox"/> As Specified	<input type="checkbox"/> As Specified

MLS2

LINEAR LED ILLUMINATING SYSTEM
SUSPENDED / SURFACE MOUNT / WALL MOUNT
DIRECT ONLY / INDIRECT ONLY / DIRECT/INDIRECT



PERFORMANCE

HTA (DIRECT ONLY)

Based on 4Ft. Module, 3500K, 80 CRI- HTA diffuser-Signify LV6 LED Boards. Signify LV6 LED Boards

Lumens per Foot (LF)	Delivered Lumens (L)	System Watts (W)	Lumens per Watt (LPW)
400	1600	15.2	105
500	2000	19.1	105
625	2500	24.4	102
825	3300	32.9	100
960	3840	39.0	98

Actual performance may differ by +/- 5% when operating between 120V-277V +/- 10%. Consult Factory for 90 CRI performances.

Multiplier for other Color Temp (K)

3000K 97%
3500K 100%
4000K 102%
5000K 103%



ASO (DIRECT ONLY)

Based on 4Ft. Module, 3500K, 80 CRI- ASO diffuser-Signify LV6 LED Boards. Signify LV6 LED Boards

Lumens per Foot (LF)	Delivered Lumens (L)	System Watts (W)	Lumens per Watt (LPW)
400	1600	22.2	72
500	2000	28.4	70
625	2500	36.1	69
670	2680	39.0	69

Actual performance may differ by +/- 5% when operating between 120V-277V +/- 10%. Consult Factory for 90 CRI performances.

Multiplier for other Color Temp (K)

3000K 97%
3500K 100%
4000K 102%
5000K 103%



BW (INDIRECT ONLY)

Based on 4Ft. Module, 3500K, 80 CRI- BW diffuser-Signify LV6 LED Boards. Signify LV6 LED Boards

Lumens per Foot (LF)	Delivered Lumens (L)	System Watts (W)	Lumens per Watt (LPW)
400	1600	11.5	139
500	2000	14.4	139
625	2500	18.1	138
825	3300	24.4	135
900	3608	26.8	135
1200	4800	36.8	130

Actual performance may differ by +/- 5% when operating between 120V-277V +/- 10%. Consult Factory for 90 CRI performances.

Multiplier for other Color Temp (K)

3000K 97%
3500K 100%
4000K 102%
5000K 103%



PERFORMANCE DIRECT/INDIRECT

HTA (DIRECT) / BW (INDIRECT)

Based on 4Ft. Module, 3500K, 80 CRI, HTA Direct Diffuser, BW Indirect Diffuser-Signify LV6 LED Boards

Direct Lumens Per Foot	Indirect Lumens Per FT	Direct/Indirect %	Delivered Lumens Total (L)	System Watts (W)	Lumens Per Watt (LPW)
400	400	50/50	3200	28.6	112
	500	45/55	3600	31.6	114
	625	40/60	4100	34.5	119
	825	35/65	4900	41.2	119
	950	30/70	5400	45.6	118
	1200	25/75	6400	54.6	117
500	400	55/45	3600	32.5	111
	500	50/50	4000	35.5	113
	625	45/55	4500	38.4	117
	825	40/60	5300	45.1	118
	950	35/65	5800	49.5	117
	1200	30/70	6800	58.5	116
625	400	60/40	4100	37.8	108
	500	55/45	4500	40.8	110
	625	50/50	5000	43.7	114
	825	45/55	5800	50.4	115
	950	40/60	6300	54.8	115
	1200	35/65	7300	63.8	114
825	400	70/30	4900	46.3	106
	500	60/40	5300	49.3	108
	625	55/45	5800	52.2	111
	825	50/50	6600	58.9	112
	950	45/55	7100	63.3	112
	1200	40/60	8100	72.3	112
960 MAX	400	70/30	5440	52.4	104
	500	65/35	5840	55.4	105
	625	60/40	6340	58.3	109
	825	55/45	7140	65.0	110
	950	50/50	7640	69.4	110
1200	45/55	8640	78.4	110	

Actual performance may differ by +/- 5% when operating between 120V-277V +/- 10%. Consult Factory for 90 CRI performances.

Multiplier for other Color Temp (K)

3000K	97%
3500K	100%
4000K	102%
5000K	103%



ASO (DIRECT) / BW (INDIRECT)

Based on 4Ft. Module, 3500K, 80 CRI, ASO Direct Diffuser, BW Indirect Diffuser-Signify LV5 LED Boards

Direct Lumens Per Foot	Indirect Lumens Per FT	Direct/Indirect %	Delivered Lumens Total (L)	System Watts (W)	Lumens Per Watt (LPW)
400	400	50/50	3200	35.6	90
	500	45/55	3600	38.6	93
	625	40/60	4100	41.5	99
	825	35/65	4900	48.2	102
	950	30/70	5400	52.6	103
	1200	25/75	6400	61.6	104
500	400	55/45	3600	41.8	86
	500	50/50	4000	44.8	89
	625	45/55	4500	47.7	94
	825	40/60	5300	54.4	97
	950	35/65	5800	58.8	99
	1200	30/70	6800	67.8	100
625	400	60/40	4100	49.5	83
	500	55/45	4500	52.5	86
	625	50/50	5000	55.4	90
	825	45/55	5800	62.1	93
	950	40/60	6300	66.5	95
	1200	35/65	7300	75.5	97

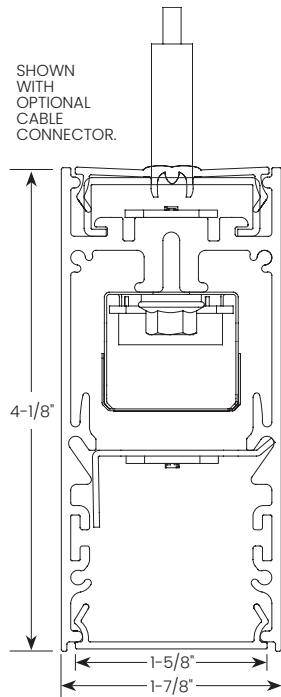
Actual performance may differ by +/- 5% when operating between 120V-277V +/- 10%. Consult Factory for 90 CRI performances.

Multiplier for other Color Temp (K)

3000K	97%
3500K	100%
4000K	102%
5000K	103%

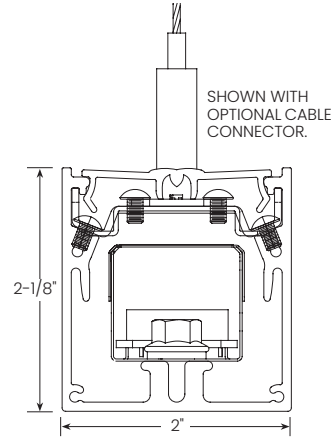


MOUNTING



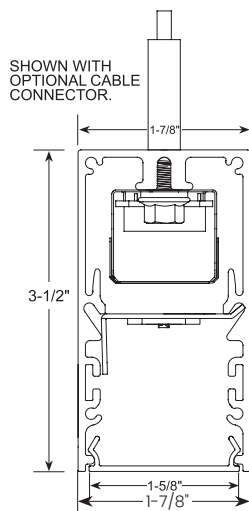
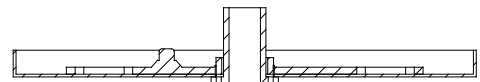
DI

Direct/ Indirect Suspended



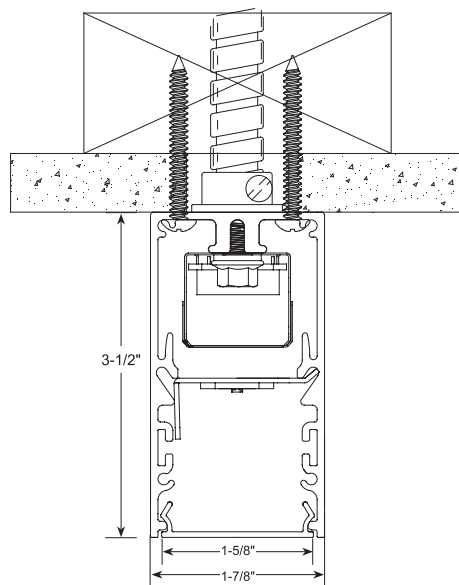
I

Indirect Suspended



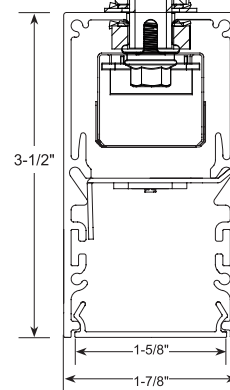
M

Direct Suspended Cable Mount



MI

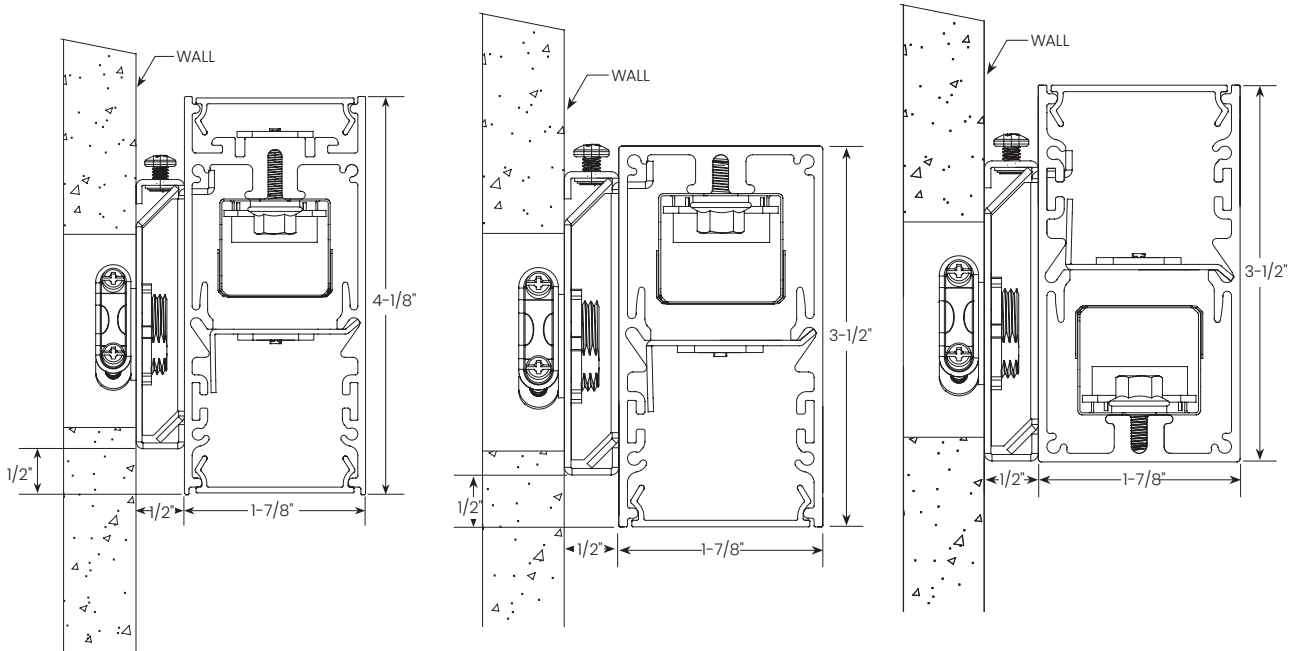
Direct Surface Mount



M2

Suspended Stem Mount

MOUNTING



WDI

Wall Mount Direct/ Indirect

WMD

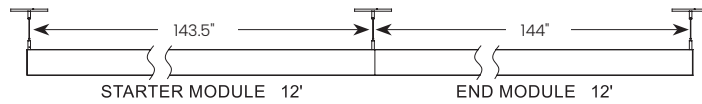
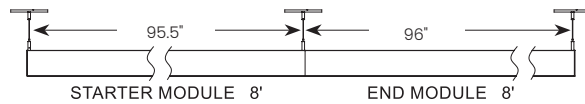
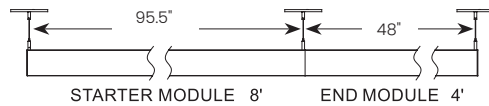
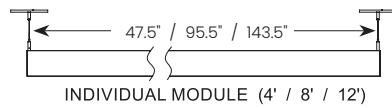
Wall Mount Direct

WMI

Wall Mount Indirect

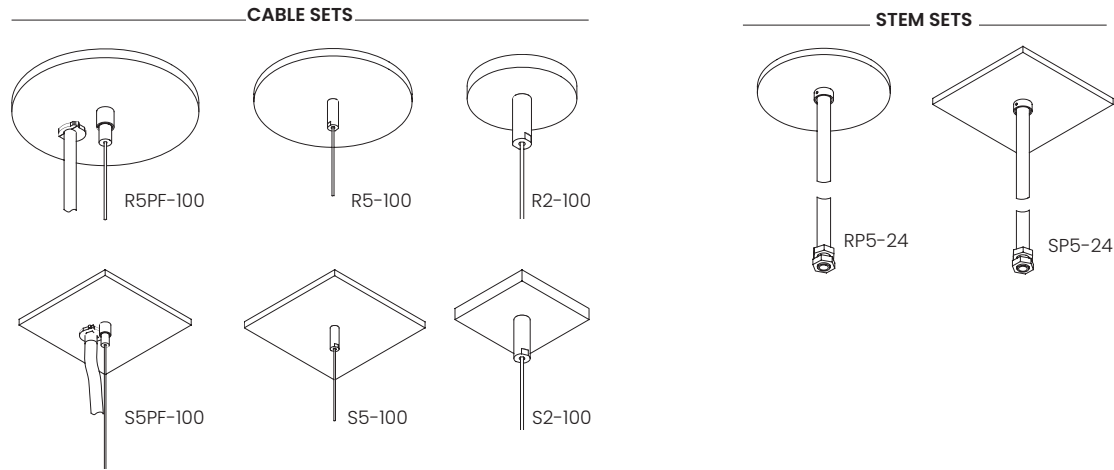
For recessed options please visit the rest of the MLS2 family.

MOUNTING



Consult factory for additional row length information

HANGING ACCESSORIES



PART #	DESCRIPTION
R5PF-100	Round 5" power feed canopy, Hanging hardware, 100" long 1/16" cable.
R5-100	Round 5" canopy, Hanging hardware, 100" long 1/16" cable.
R2-100	Round 2" canopy, Hanging hardware, 100" long 1/16" cable.
S5PF-100	Round 2" canopy, Hanging hardware, 100" long 1/16" cable.
S5-100	Square 5" canopy, Hanging hardware, 100" long 1/16" cable.
S2-100	Square 2" canopy, Hanging hardware, 100" long 1/16" cable.
RP5-24	Round 5" canopy, Hanging hardware, 24" long 1/2" dia. stem.
SP5-24	Square 5" canopy, Hanging hardware, 24" long 1/2" dia. stem.

Other cable and stem lengths available. Consult factory.

HOUSINGS

Extruded aluminum profile in a 0.080-inch wall thickness. Maximum length of each linear component is 12-ft. .060 aluminum ends are provided where needed at row termini. A one-piece 14GA galvanized steel joiner/aligner bracket is provided for each joint between housings. Internal cold-rolled steel components. Inconspicuous cable hanging brackets at the ends. A custom formulated non-glare matte-white polyester powder coating provides an extremely durable and long-lasting finish. Custom color finishes on request.

DIFFUSERS

Seamless fit diffusers. Flawless and consistent end-to-end fit. Standard direct diffuser: extruded from custom formulated high transmission white acrylic material. Allows maximum light transmission while eliminating pixilation and hot spots. Optional direct diffuser: extruded from acrylic smooth opal material. Offers a more esthetically white appearance. Note: reduces performance by up to 25%. Smooth finish on both diffusers compliments the architectural elements. Standard indirect diffuser: custom extruded batwing-type that spreads the light in a very consistent and wide beam of illumination. Additional options: 1/2", 3/4" and 1-1/2" drop style diffusers may be added to the direct position. May also be added to the indirect position as a pop-up diffuser.

LED MODULES

High performance linear configured LED module boards. Each board consists of multiple mid-power, high efficacy LEDs in a precise layout eliminating the need for supplemental heat sinking. The boards produce an even and diffuse light which maximizes optical efficiency. Compatible with the dimming performance of the LED driver. Color temperatures available 80 CRI: 3000K, 3500K and 4000K. Upon request: 5000K. Color temperatures available 90 CRI: 2700K, 3000K, 3500K and 4000K.

TUNABLE WHITE OPTION

Field tunable range 2700K through 6500K. 80CRI.

LED DRIVERS

Factory programmable constant current LED power supply. Multiple standard drive current outputs (factory set by Mercury) are cataloged with their corresponding lumens-per-foot offering. Upon request, custom drive current outputs and lumens-per-foot options are available. Note: Certain cataloged lumens-per-foot offerings may be provided with a non-programmable constant current LED power supply at Mercury's discretion. Contact factory if critical. Universal voltage input, 120V-277V, 50HZ-60HZ. Continuous dimming capability down to 1%-standard. 0.1% available upon request. Dim to Dark option available upon request. Sensor ready (SR) drivers compatible with most lighting controls are optional. Consult factory. Lutron drivers available: LDEI series.

STANDBY LIGHTING OPTIONS

Self-contained module, 10W or 12W as specified. Battery backup upon loss of power. Available in modules of 4-ft. and longer.

INTEGRAL LIGHTING CONTROLS

Various lighting controls and sensors are optional. Consult factory.

CORNERS

Standard 90 degree corners. Custom angled corners, crosses and T-sections. Consult factory.

INSTALLATIONS

Designed to be suspended on cables or wall mounted with the half-inch offset wall mounting system. Labor saving feature allows installation without disassembling of luminaire. Easy-connect cable hangers make installations easy. Lengths of 12-ft. and less to use one housing with two ends pre-installed. Lengths over 12-ft. will be engineered to job requirements using multiple housings with one end pre-installed at each row end. Lengths over 12-ft. will include appropriate job required quick-connect plug-thru wire harnesses and housing joiners. All individual modules or multiple module runs to include job required feed wire as specified. Standard or custom hanging points will be provided per job specifications.

CERTIFICATE OF SAFETY COMPLIANCE AND LISTINGS

Luminaire: UL and CUL listed 1598 and bears their label. Suitable for damp locations. Optional: Suitable for wet locations marking is available. Some limitations apply. Contact factory for all details.

LIGHTNING PROGRAM

Same quality product, shipped in 15 days or less (if drawings are required, 15 days or less starts after drawings are released). Entire order must qualify for [Lightning Program](#) in order to meet freight charges. Please contact our sales team if unsure your order will qualify. Options highlighted in Blue, 500 linear feet or less, are eligible for quick ship [Lightning Program](#). Relates to straight runs ONLY. Other variations not highlighted in blue may be available under [Lightning Program](#). Please consult factory. Specify LP-MLS2 when placing order if you would like to use [Lightning Program](#).

WARRANTY

5-year limited warranty is standard. Special 10-year warranty available on a job-to-job basis. Complete LED warranty terms available at www.mercltg.com. Actual performance may differ as a result of end-user environment and application. Most LED luminaires are suitable to operate in ambient temperatures from -20°C (-4°F) to 25°C (77°F). The following exclusions apply: Luminaires with optional standby lighting option, integral lighting controls options, or wireless control options. Consult factory. LM-79 testing was measured under a controlled 25°C (77°F) ambient operating temperature.