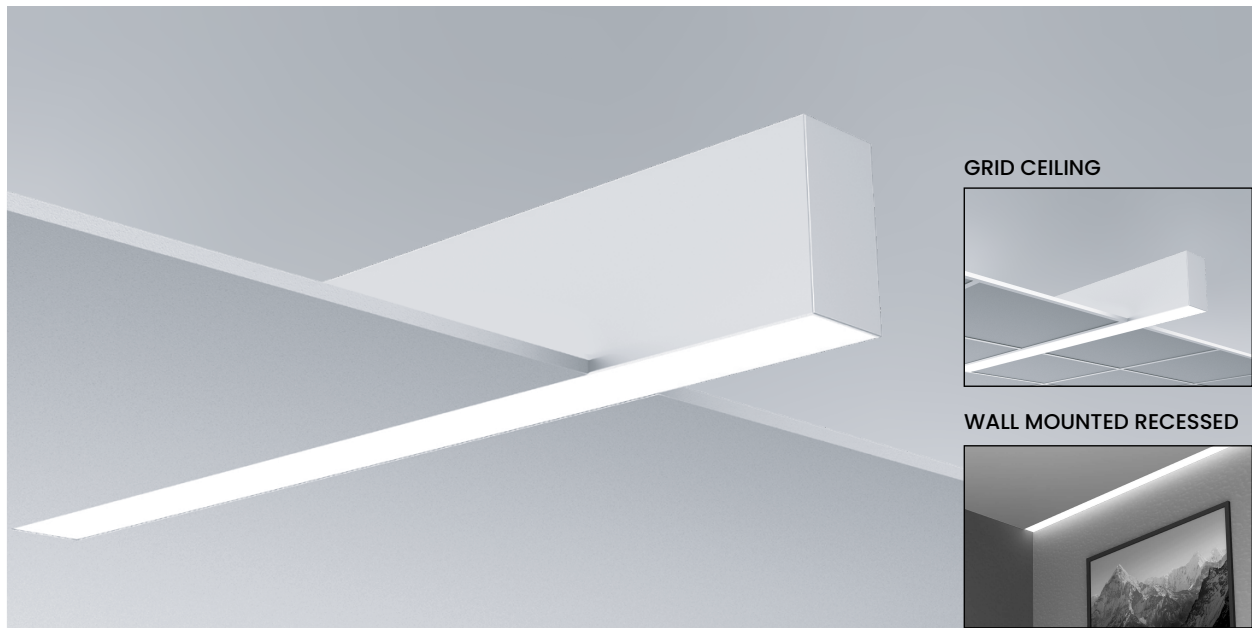
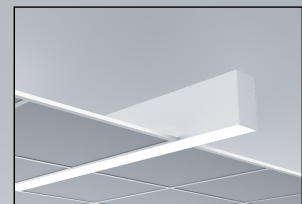


# MLS2

**LINEAR LED ILLUMINATING SYSTEM  
 RECESSED MOUNT FOR DRYWALL & GRID CEILINGS / WALL MOUNT RECESSED FLUSH LENS**



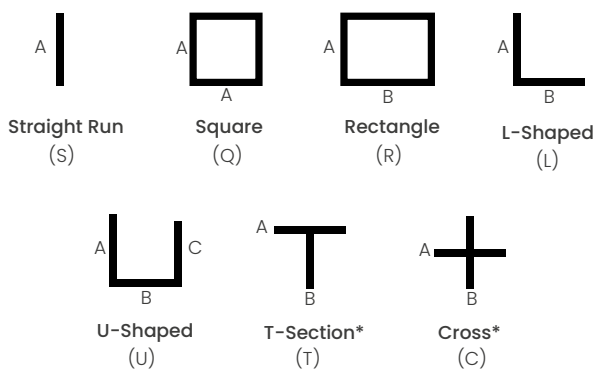
**GRID CEILING**



**WALL MOUNTED RECESSED**



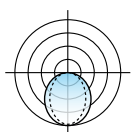
## SHAPES/PATTERNS



\*Please consult factory to confirm design and layout will comply with specified ceiling  
 For other shapes/patterns/runs consult the factory.

## FEATURES

- Extruded aluminum housing for perfectly straight lines of light.
- Narrow 1 7/8" wide profile.
- Linear lengths of 2-ft and above in increments of one-inch.
- Custom formulated high diffusion extruded acrylic lens.
- Non-glare matte-white polyester powder coating finish.
- Recessed for various ceiling types.
- Wall mounted/recessed direct illumination.
- Mounts flush with various ceiling types.
- Enhances and defines the perimeter of the ceiling.
- Direct downlighting for wall grazing and general room illumination.
- Cataloged standard or custom set lumens-per-foot performances.
- 80 CRI standard. 90 CRI available.
- IC rated.
- Continuous dimming capability down to 1% on 0-10V controls.
- CCEA option available.
- Fixture lumens per watt ratios up to 105.
- Tunable white feature optional.
- Lighting controls and sensors.
- Standard and custom corners.
- American Made.
- Lightning Program eligible (ships in 15 days or less): See ordering data for options.



Direct diffuser



Fixture type:	Job information:
<input type="text"/>	<input type="text"/>

# MLS2

## LINEAR LED ILLUMINATING SYSTEM

### RECESSED MOUNT FOR DRYWALL & GRID CEILINGS / WALL MOUNT RECESSED FLUSH LENS



### PRODUCT DEFINITION SHEET

All options highlighted in **BLUE** are eligible for **Lightning Program** (same quality product, shipped in 15 days or less)

Ex: **MLS2-N5-144-S18-400-35K-ASO-1-U-EM12-WL-SR-AU**

1	2	3	4	5	6	7	8	9	10	11	12	13
---	---	---	---	---	---	---	---	---	----	----	----	----

1	2	3	4
SERIES	MOUNTING	LENGTH	SHAPE (ENTER LENGTH IN PRODUCT CODE ABOVE)
<input type="checkbox"/> <b>MLS2</b> LightStreams 2  <input type="checkbox"/> <b>LP-MLS2</b> Lightning Program	<input type="checkbox"/> <b>N5</b> Trimless 5/8" <input type="checkbox"/> <b>NI</b> Trimless 1/2" <input type="checkbox"/> <b>F</b> Flange Trim for drywall <input type="checkbox"/> <b>G9</b> Grid 9/16" flat T grid <input type="checkbox"/> <b>G15</b> Grid 15/16" flat T grid <input type="checkbox"/> <b>S</b> Screw Slot <input type="checkbox"/> <b>SI</b> 9/16" Interlude <input type="checkbox"/> <b>T9</b> 9/16" Tegular <input type="checkbox"/> <b>T15</b> 15/16" Tegular  Wall Mount Recessed <input type="checkbox"/> <b>WMR-N5</b> Trimless 5/8" <input type="checkbox"/> <b>WMR-NI</b> Trimless 1/2" <input type="checkbox"/> <b>WMR-S</b> 9/16" Screw Slot	<input type="checkbox"/> <b>48</b> 48" Length <input type="checkbox"/> <b>96</b> 96" Length <input type="checkbox"/> <b>144</b> 144" Length  Custom or Row Length. 24" and above in 1" increments. Ex. in inches: 82, 384, etc.	<input type="checkbox"/> <b>S__</b> Individual/Straight Run Section (enter length, ex. S18) <input type="checkbox"/> <b>Q__</b> Square Configuration (enter side length A, ex. Q18) <input type="checkbox"/> <b>R_/_/_</b> Rectangular Configuration (enter side lengths A and B, ex. R12/24) <input type="checkbox"/> <b>L_/_/_</b> L-Shaped Configuration (enter side lengths A and B, ex. L12/24) <input type="checkbox"/> <b>U_/_/_/_</b> U-Shaped Configuration (enter side lengths A, B, and C, ex. U12/12/24) <input type="checkbox"/> <b>T_/_/_</b> T-Section* (enter side lengths A and B, ex. T12/24) <input type="checkbox"/> <b>C_/_/_</b> Cross Configuration* (enter side lengths A and B, ex. C12/24)  All corners of shape must be 90°, same plane. Lengths greater than 8" consist of multiple individual housing sections joined together. Lengths are nominal and may vary based on lamping and other specification selections. Consult Mercury when exact lengths are required. Consult factory for corners other than 90° *Please consult factory to confirm design and layout will comply with specified ceiling

5	6	7	8	9	10
LUMENS/FT	COLOR TEMP-CCT	DIFFUSER	DRIVER	VOLTAGE	STANDBY MODULES
<b>HTA</b> <input type="checkbox"/> <b>400</b> <input type="checkbox"/> <b>500</b> <input type="checkbox"/> <b>625</b> <input type="checkbox"/> <b>825</b> <input type="checkbox"/> <b>960</b>  <b>ASO</b> <input type="checkbox"/> <b>400</b> <input type="checkbox"/> <b>500</b> <input type="checkbox"/> <b>625</b> <input type="checkbox"/> <b>670</b> Custom Lumen Packages.	<b>80 CRI</b> <input type="checkbox"/> <b>30K</b> 3000K <input type="checkbox"/> <b>35K</b> 3500K <input type="checkbox"/> <b>40K</b> 4000K <input type="checkbox"/> <b>50K</b> 5000K Upon request <input type="checkbox"/> <b>TW</b> Tunable White 2700K-6500K  <b>90 CRI</b> <input type="checkbox"/> <b>927K</b> 2700K <input type="checkbox"/> <b>930K</b> 3000K <input type="checkbox"/> <b>935K</b> 3500K <input type="checkbox"/> <b>940K</b> 4000K	<input type="checkbox"/> <b>HTA</b> High Transmission Acrylic <input type="checkbox"/> <b>ASO</b> Acrylic Smooth Opal (Performance is reduced with this diffuser)	<input type="checkbox"/> <b>1</b> 0-10V 1% Dimming <input type="checkbox"/> <b>IDD</b> 0-10% Dimming Dim to Dark <input type="checkbox"/> <b>eL</b> eldoLED Solo 0.1% <input type="checkbox"/> <b>LDE1</b> Lutron Hi- Lume <input type="checkbox"/> - As Specified	<input type="checkbox"/> <b>U</b> Uni 120-277V <input type="checkbox"/> <b>1</b> 120V <input type="checkbox"/> <b>7</b> 277V  Please verify at the time of release if 120V or 277V is required. Although drivers are universal voltage, a specific voltage is required to determine amp draw as well as voltage specific flexes and/or plug thrus as needed.	<input type="checkbox"/> <b>EM10</b> Emergency Battery 10W <input type="checkbox"/> <b>EM12</b> Emergency Battery 12W <input type="checkbox"/> <b>NO OPTION</b> Available in modules of 4-ft. and longer.

11	12	13	
MISC.	SENSOR READY	LIGHTING CONTROLS	CUSTOM PAINT COLORS
<input type="checkbox"/> <b>WL</b> UL "Suitable for Wet Locations" labeled  <input type="checkbox"/> <b>CCEA</b> Meets the City of Chicago Environmental Air specifications.  <input type="checkbox"/> <b>BABA</b> Consult factory.	<input type="checkbox"/> <b>SR</b> Sensor Ready  Required for Certain Controls, Contact Mercury Lighting	<input type="checkbox"/> <b>AU</b> Autani <input type="checkbox"/> <b>AVI</b> Avi-On <input type="checkbox"/> <b>CA</b> Casambi <input type="checkbox"/> <b>LV</b> Leviton <input type="checkbox"/> <b>LT</b> Lutron <input type="checkbox"/> <b>NL</b> nLight <input type="checkbox"/> <b>PS</b> Philips/Signify <input type="checkbox"/> <b>WA</b> Wattstopper <input type="checkbox"/> <b>CU</b> Current nx <input type="checkbox"/> <b>NO</b> No option	<input type="checkbox"/> As Specified  Consult Mercury Lighting for further information and other options.  Mercury should be notified if the controls are to be Wireless, Networked Lighting Controls, 0-10v Dimming, DMX, etc.  If controls aren't specified, the fixture ships 0-10V, 1% dimming, unified D/I control.

# MLS2

## LINEAR LED ILLUMINATING SYSTEM RECESSED MOUNT FOR DRYWALL & GRID CEILINGS / WALL MOUNT RECESSED FLUSH LENS



### PERFORMANCE

#### PERFORMANCE - HTA

Based on 4Ft. Module, 3500K, 80 CRI, HTA diffuser-Signify LV6 LED Boards.

Lumens per Foot (LF)	Delivered Lumens (L)	System Watts (W)	Lumens per Watt (LPW)
400	1600	15.2	105
500	2000	19.1	105
625	2500	24.4	102
825	3300	32.9	100
960	3840	39.0	98

Actual performance may differ by +/- 5% when operating between 120V-277V +/- 10%. Consult Factory for 90 CRI performances.

Multiplier for other Color Temp (K)

- 3000K 97%
- 3500K 100%
- 4000K 102%
- 5000K 103%



#### PERFORMANCE - ASO

Based on 4Ft. Module, 3500K, 80 CRI, ASO diffuser-Signify LV6 LED Boards.

Lumens per Foot (LF)	Delivered Lumens (L)	System Watts (W)	Lumens per Watt (LPW)
400	1600	22.2	72
500	2000	28.4	70
625	2500	36.1	69
670	2680	39.0	69

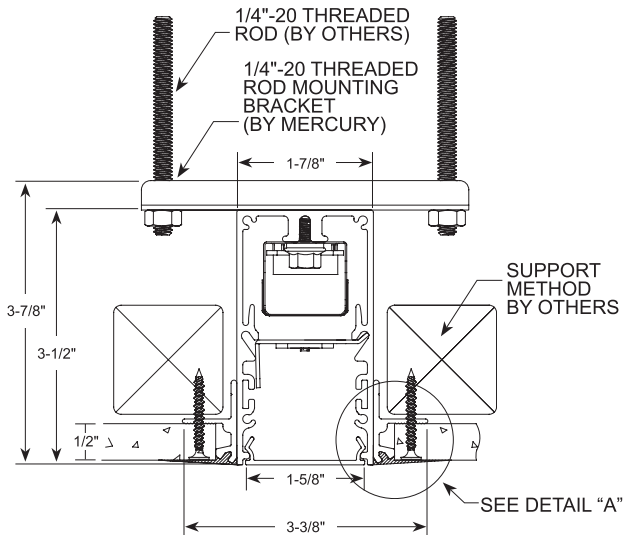
Actual performance may differ by +/- 5% when operating between 120V-277V +/- 10%. Consult Factory for 90 CRI performances.

Multiplier for other Color Temp (K)

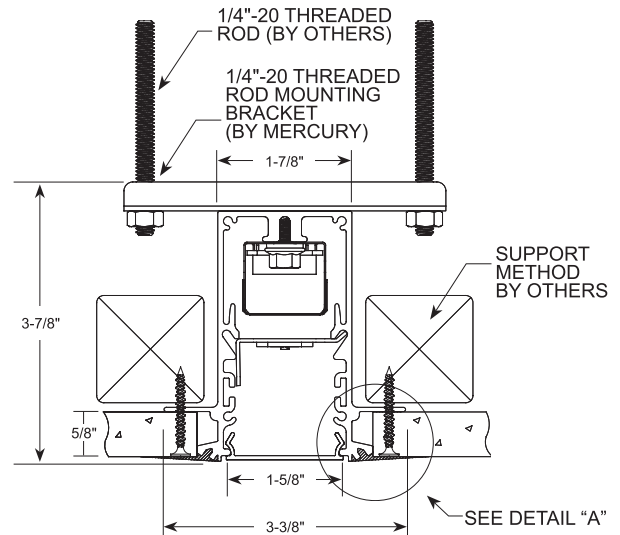
- 3000K 97%
- 3500K 100%
- 4000K 102%
- 5000K 103%



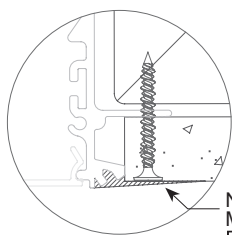
## MOUNTING



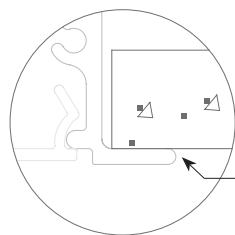
**N1**  
Trimless 1/2"



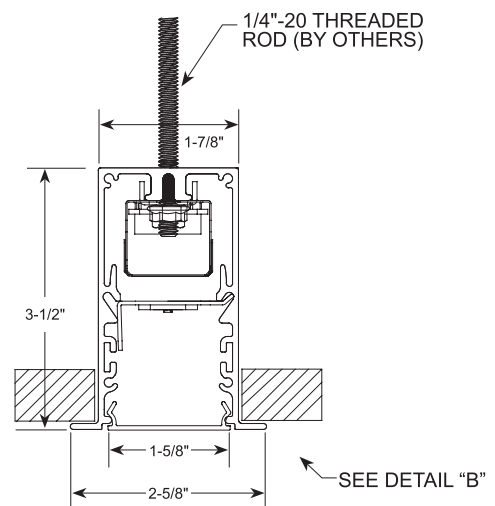
**N5**  
Trimless 5/8"



**DETAIL "A"**

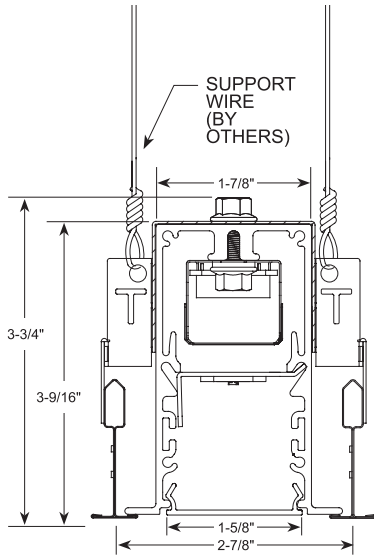


**DETAIL "B"**



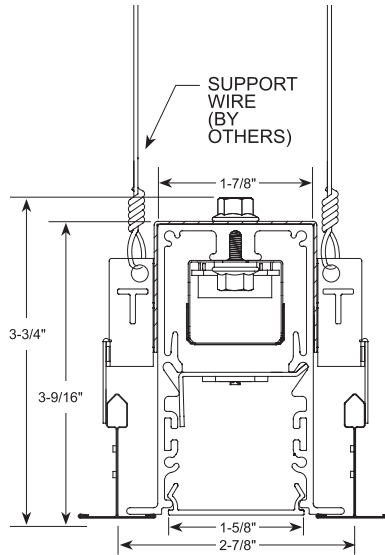
**F**  
Flange Trim for drywall

## MOUNTING



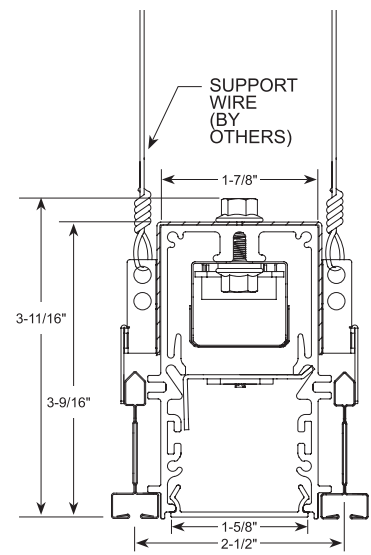
**G9**

Grid 9/16" flat T grid



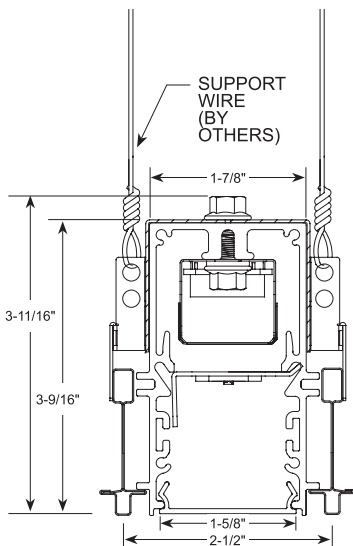
**G15**

Grid 15/16" flat T grid



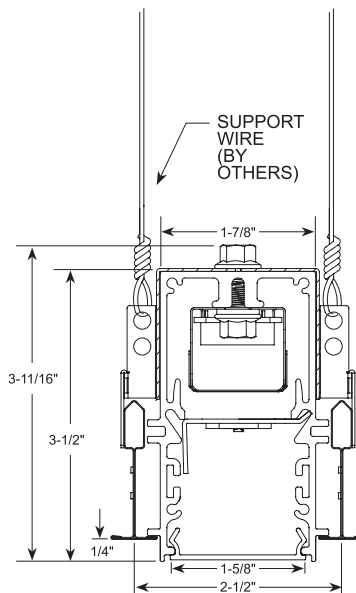
**S**

Screw Slot



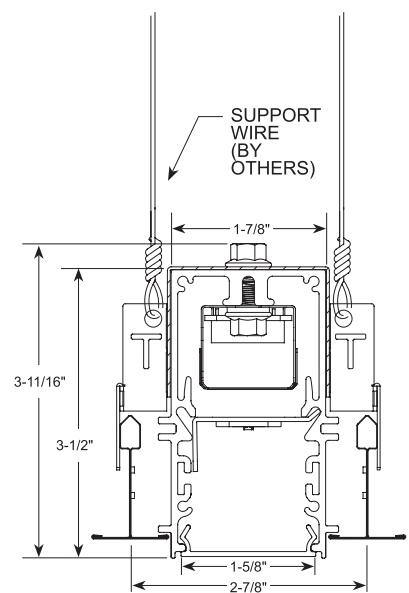
**SI**

9/16" Interlude



**T9**

9/16" Tegular



**T15**

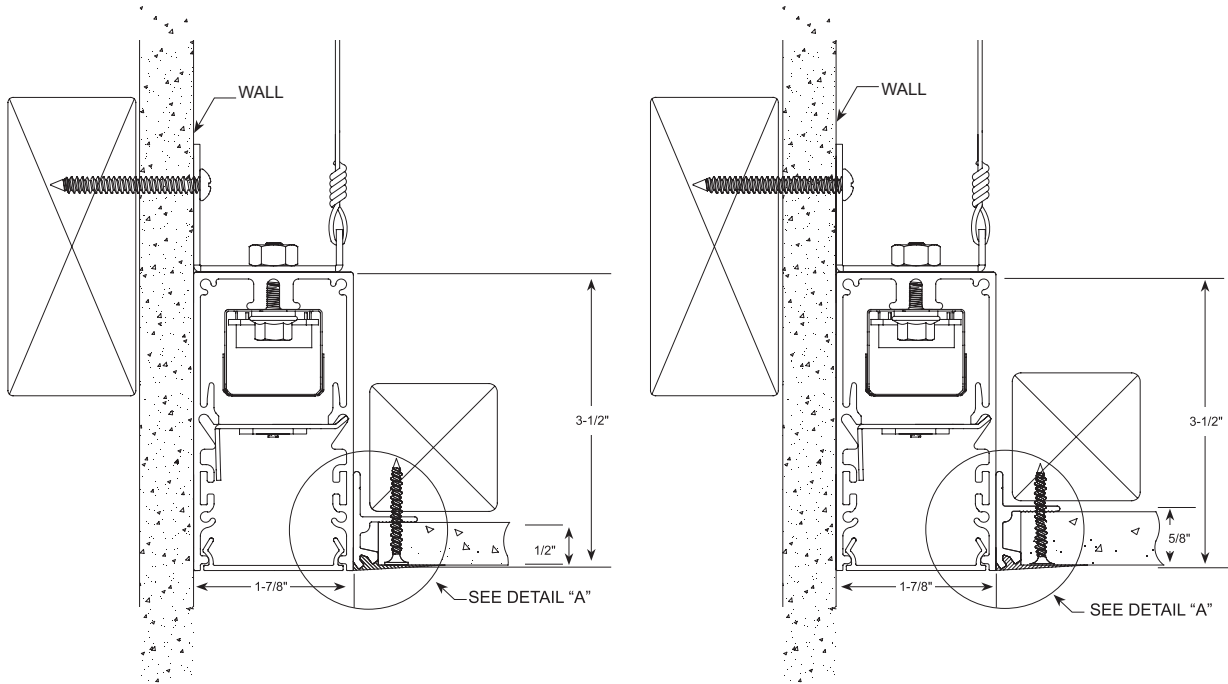
15/16" Tegular

# MLS2

LINEAR LED ILLUMINATING SYSTEM  
RECESSED MOUNT FOR DRYWALL & GRID CEILINGS /  
WALL MOUNT RECESSED FLUSH LENS

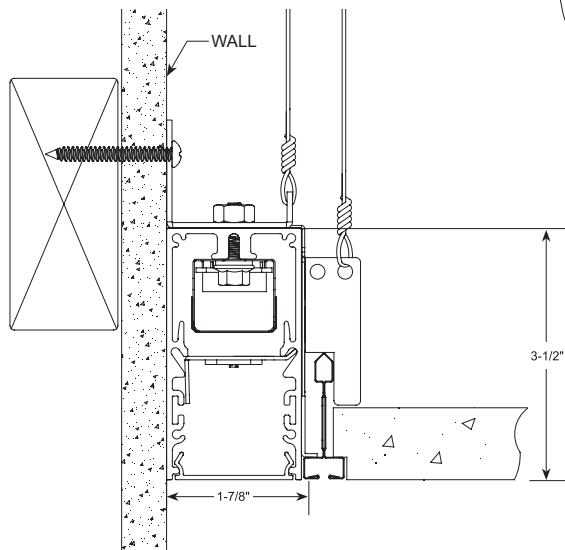
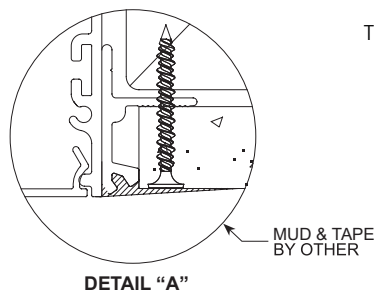


## MOUNTING



**NI-WMR**  
Trimless 1/2"

**N5-WMR**  
Trimless 5/8"



**S-WMR**  
Screw Slot

For suspended options  
please visit the rest  
of the MLS2 family

### HOUSINGS

Extruded aluminum profile in a 0.080-inch wall thickness. Maximum length of each linear component is 12-ft. .060 aluminum ends are provided where needed at row termini. A one-piece 14GA galvanized steel joiner/aligner bracket is provided for each joint between housings. 18GA steel ends are provided where needed at row termini. Internal cold-rolled steel components. Housing intended for recessing of various types of ceilings systems. Housing intended for recessing at the perimeter of various types of ceiling systems. Wall side of housing mounts directly to the wall. With drywall trimless fit ceiling types, housing opposite wall side requires plaster-in by ceiling contractor. Trimless housing for plaster-in or overlapping flange trim. See ceiling types section. Easy-use grid pry outs provided. A custom formulated non-glare matte-white polyester powder coating provides an extremely durable and long-lasting finish.

### DIFFUSERS

Seamless fit diffusers. Flawless and consistent end-to-end fit. **HTA diffuser:** extruded from custom formulated high transmission white acrylic material. Specify when the highest performance levels are required. Allows maximum light transmission while eliminating pixilation and hot spots. **ASO diffuser:** extruded from custom formulated smooth opal acrylic material. Specify when a more esthetically white appearance is desired. Note: reduces performance by up to 25%. Smooth finish on both diffusers complements the architectural elements.

### LED MODULES

High performance linear configured LED module boards. Each board consists of multiple mid-power, high efficacy LEDs in a precise layout eliminating the need for supplemental heat sinking. The boards produce an even and diffuse light which maximizes optical efficiency. Compatible with the dimming performance of the LED driver. Color temperatures available 80 CRI: 3000K, 3500K and 4000K. Upon request: 5000K. Color temperatures available 90 CRI: 2700K, 3000K, 3500K and 4000K.

### TUNABLE WHITE OPTION

Field tunable range 2700K through 6500K. 80CRI.

### LED DRIVERS

Factory programmable constant current LED power supply. Multiple standard drive current outputs (factory set by Mercury) are cataloged with their corresponding lumens per-foot offering. Upon request, custom drive current outputs and lumens-per-foot options are available. Note: Certain cataloged lumens-per-foot offerings may be provided with a non-programmable constant current LED power supply at Mercury's discretion. Contact factory if critical. Universal voltage input, 120V-277V, 50HZ-60HZ. Continuous dimming capability down to 1%-standard. 0.1% available upon request. Dim to Dark option available upon request. Sensor ready (SR) drivers compatible with most lighting controls are optional. Consult factory. Lutron drivers available: LDEI series.

### STANDBY LIGHTING OPTIONS

Self-contained module, 10W or 12W as specified. Battery backup upon loss of power. Available in modules of 4-ft. and longer. (Limited to 625 or 900 Lumens per foot packages).

### INTEGRAL LIGHTNING OPTIONS

Various lighting controls and sensors are optional. Consult factory.

### CORNERS

Standard 90 degree corners for inside or outside turns. Custom angled corners.

### INSTALLATIONS

Designed for recessed installation into acoustical grid and drywall ceiling systems. See ceiling types section. Availability for various types; 15/16" grid, 9/16" grid, 9/16" screw-slot, 9/16" interlude, 15/16" tegular, 9/16" tegular. Trimless housing requires plastering-in after installation. Wall side of housing mounts directly to the wall. Trimless housing opposite wall side requires plaster in by ceiling contractor. Grid pry outs lock over top of gridwork. Auxiliary suspension required to building structure. Overlapping trim neatly closes off drywall opening. Lengths of 12-ft. and less to use one housing with two ends pre-installed. Lengths over 12-ft. will be engineered to job requirements using multiple housings with one end pre-installed at each row end. Lengths over 12-ft. will include appropriate job required quick-connect plug-thru wire harnesses and housing joiners. Wiring access plate provided on top. End plates have 7/8" KO.

### CERTIFICATE OF SAFETY COMPLIANCE AND LISTINGS

Luminaire: UL and CUL listed 1598 and bears their label. Suitable for damp locations. Optional: Suitable for wet locations marking is available. Some limitations apply. Contact factory for all details. IC rated. CCEA option meets the City of Chicago Environmental Air specifications.

### LIGHTNING PROGRAM

Same quality product, shipped in 15 days or less (if drawings are required, 15 days or less starts after drawings are released). Entire order must qualify for [Lightning Program](#) in order to meet freight charges. Please contact our sales team if unsure your order will qualify. Options highlighted in Blue, 500 linear feet or less, are eligible for quick ship [Lightning Program](#). Relates to straight runs ONLY. Other variations not highlighted in blue may be available under [Lightning Program](#). Please consult factory. Specify LP-MLS2 when placing order if you would like to use [Lightning Program](#).

### WARRANTY

5-year limited warranty is standard. Special 10-year warranty available on a job-to-job basis. Complete LED warranty terms available at [www.mercltg.com](http://www.mercltg.com). Actual performance may differ as a result of end-user environment and application. Most LED luminaires are suitable to operate in ambient temperatures from -20C (-4F) to 25C (77F). The following exclusions apply: Luminaires with optional standby lighting option, integral lighting controls options, or wireless control options. Consult factory. LM-79 testing was measured under a controlled 25C (77F) ambient operating temperature.