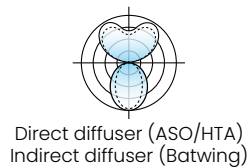
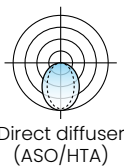
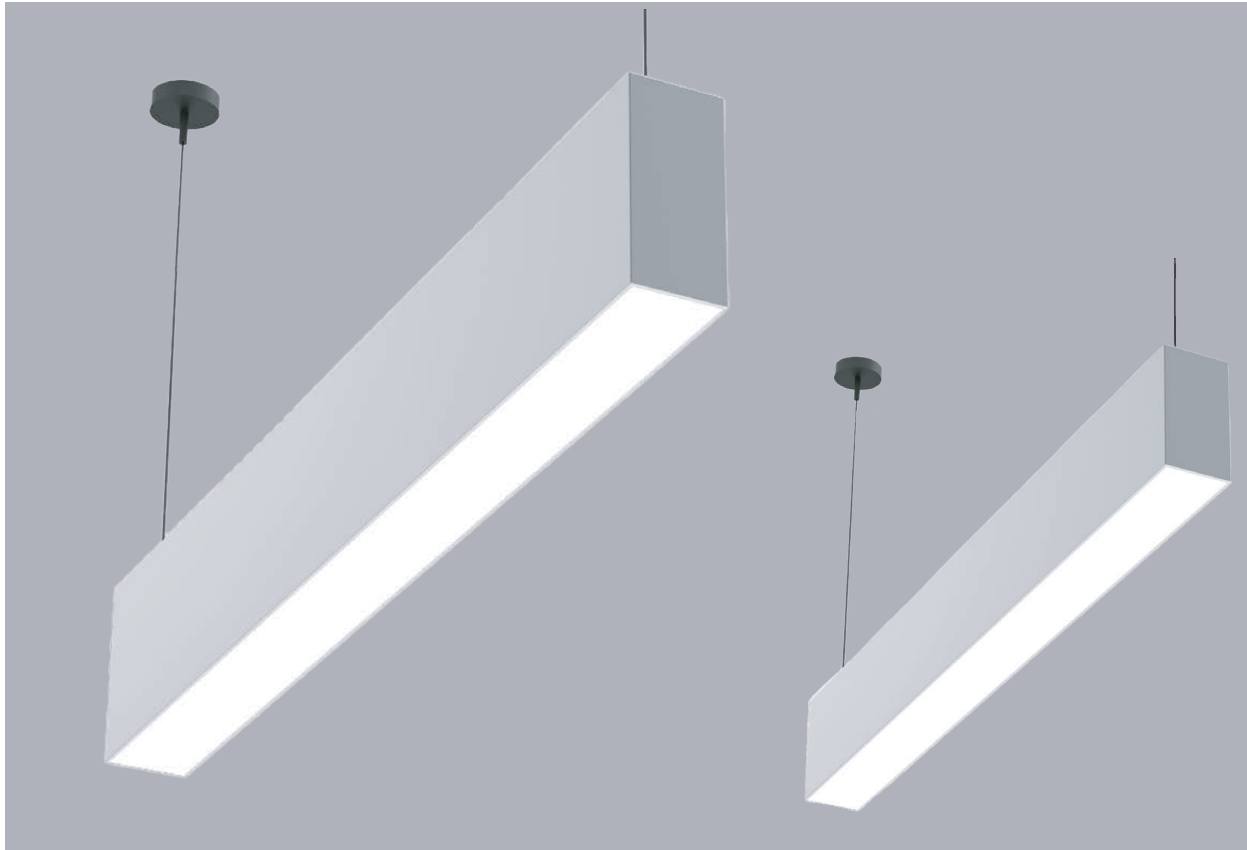


MLS2 PoE SERIES

**DIRECT, DIRECT/INDIRECT
SUSPENDED OR SURFACE MOUNT**



molex

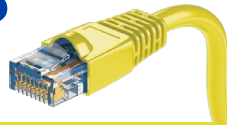
Fixture type:	Job information:
<input type="text"/>	<input type="text"/>

FEATURES

- Power over Ethernet (PoE) enabled as Molex CoreSync.
- Tunable white feature for PoE system.
- Extruded aluminum housing for perfectly straight lines of light.
- Single or dual directional illumination. Direct downlighting and indirect uplighting.
- Narrow profile; 1-7/8-inch width.
- Linear lengths; 2-ft. and above in increments of one-inch.
- Standard and custom corners, crosses and T-sections offer the ability to design unlimited patterns, shapes and runs.
- Custom formulated high diffusion extruded acrylic lens.
- Non-glare matte-white polyester powder coating finish.
- Custom colors available.
- Cable or stem mount from ceiling, or direct surface mount.
- Cataloged standard or custom set lumens-per-foot performances.
- A new custom designed batwing-type indirect diffuser. Spreads light from the linear LED boards into two distinct side lobes. When projected onto the ceiling results are a very consistent and wide spread of illumination.
- A new extrusion with a shallower overall height of 4-1/8".
- New additional drop-down or pop-up diffuser.
- 80 CRI standard. 90 CRI available.
- Fixture lumens per watt ratios up to 115.
- Lighting controls and sensors.
- American Made.

MLS2 PoE SERIES

DIRECT, DIRECT/INDIRECT
SUSPENDED OR SURFACE MOUNT



MERCURY
Lighting Progress

PRODUCT DEFINITION SHEET

Ex: **MLS2-DI-144-S18-825-950-35K-HTA-BW-40VDC-180996-XXXX-300-350mA-2C-CORESM-00350-BABA**

1	2	3	4	5	6	7	8	9	10	11	12	13	14
---	---	---	---	---	---	---	---	---	----	----	----	----	----

1	2	3	4
SERIES	MOUNTING	LENGTH	SHAPE (ENTER LENGTH IN PRODUCT CODE ABOVE)
<input type="checkbox"/> MLS2 LightStreams 2	<input type="checkbox"/> M Direct Suspended Cable Mount <input type="checkbox"/> M1 Direct Surface Mount <input type="checkbox"/> M2 Direct Suspended Stem Mount <input type="checkbox"/> DI Direct/Indirect Suspended	<input type="checkbox"/> 48 48" Length <input type="checkbox"/> 96 96" Length <input type="checkbox"/> 144 144" Length Custom or Row Length. 24" and above in 1" Increments. Ex. in inches: 82, 384, etc.	<input type="checkbox"/> S__ Individual/Straight Run Section (enter length, ex. S18) <input type="checkbox"/> Q__ Square Configuration (enter side length A, ex: Q18) <input type="checkbox"/> R__/_ Rectangular Configuration (enter side lengths A and B, ex. R12/24) <input type="checkbox"/> L__/_ L-Shaped Configuration (enter side lengths A and B, ex. L12/24) <input type="checkbox"/> U__/_/_ U-Shaped Configuration (enter side lengths A, B, and C, ex. U12/12/24) <input type="checkbox"/> T__/_ T-Section (enter side lengths A and B, ex. T12/24) <input type="checkbox"/> C__/_ Cross Configuration (enter side lengths A and B, ex. C12/24)

All corners of shape must be 90°, same plane.
Lengths greater than 8' consist of multiple individual housing sections joined together. Lengths are nominal and may vary based on lamping and other specification selections. Consult Mercury when exact lengths are required. Consult factory for corners other than 90°

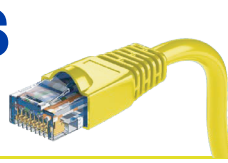
5	6	7	8	9	10
LUMENS/FT DIRECT	LUMENS/FT INDIRECT	COLOR TEMP-CCT	DIFFUSER/DIRECT	DIFFUSER/INDIRECT	LED FORWARD VOLTAGE
HTA <input type="checkbox"/> 400 <input type="checkbox"/> 500 <input type="checkbox"/> 625 <input type="checkbox"/> 825 <input type="checkbox"/> 960 ASO <input type="checkbox"/> 400 <input type="checkbox"/> 500 <input type="checkbox"/> 625 <input type="checkbox"/> 670 Custom Lumen Packages.	BW <input type="checkbox"/> 400 <input type="checkbox"/> 500 <input type="checkbox"/> 625 <input type="checkbox"/> 825 <input type="checkbox"/> 950 <input type="checkbox"/> 1200 Custom Lumen Packages. Lumen Packages with ASO diffuser. Contact Factory.	80 CRI <input type="checkbox"/> 30K 3000K <input type="checkbox"/> 35K 3500K <input type="checkbox"/> 40K 4000K <input type="checkbox"/> 50K 5000K Upon request <input type="checkbox"/> TW Tunable White 2700K-6500K 90 CRI <input type="checkbox"/> 927K 2700K <input type="checkbox"/> 930K 3000K <input type="checkbox"/> 935K 3500K <input type="checkbox"/> 940K 4000K	<input type="checkbox"/> HTA High Transmission Acrylic <input type="checkbox"/> ASO Flat <input type="checkbox"/> A05 1/2" Drop <input type="checkbox"/> A10 1" Drop <input type="checkbox"/> A15 1-1/2" Drop	<input type="checkbox"/> BW Batwing Indirect <input type="checkbox"/> A05 1/2" Pop Up <input type="checkbox"/> A10 1" Pop-Up <input type="checkbox"/> A15 1-1/2" Pop-Up	<input type="checkbox"/> 40VDC

11		12	13	
MOLEX DRIVER		CIRCUITING	EMERGENCY LIGHTING	
SINGLE CHANNEL <input type="checkbox"/> 180996-XXXX-250-300mA <input type="checkbox"/> 180996-XXXX-300-350mA <input type="checkbox"/> 180996-XXXX-360-500mA <input type="checkbox"/> 180996-XXXX-510-700mA <input type="checkbox"/> 180996-XXXX-710-880mA <input type="checkbox"/> 180996-XXXX-890-1050mA	DUAL CHANNEL <input type="checkbox"/> 180996-XXXX-300-350mA <input type="checkbox"/> 180996-XXXX-360-500mA <input type="checkbox"/> 180996-XXXX-510-700mA <input type="checkbox"/> 180996-XXXX-710-880mA <input type="checkbox"/> 180996-XXXX-890-1050mA	<input type="checkbox"/> 1C Direct + Indirect dim together <input type="checkbox"/> 2C Direct and Indirect controlled independently	SINGLE CHANNEL <input type="checkbox"/> CORESM-00350 <input type="checkbox"/> CORESM-00500 <input type="checkbox"/> CORESM-00700 <input type="checkbox"/> CORESM-01050 <input type="checkbox"/> CORESM-00880	DUAL CHANNEL <input type="checkbox"/> COREDM-00350 <input type="checkbox"/> COREDM-00500 <input type="checkbox"/> COREDM-00700 <input type="checkbox"/> COREDM-01050 <input type="checkbox"/> COREDM-00880

14		
MISC.	CUSTOM HANGING POINTS	CUSTOM PAINT COLORS
<input type="checkbox"/> WL UL "Suitable for Wet Locations" labeled. <input type="checkbox"/> BABA Consult factory	<input type="checkbox"/> As Specified	<input type="checkbox"/> As Specified

MLS2 PoE SERIES

DIRECT, DIRECT/INDIRECT
SUSPENDED OR SURFACE MOUNT



MERCURY
Lighting Progress

PERFORMANCE

PERFORMANCE - HTA

Based on 4ft. Module, 3500K, 80 CRI, HTA diffuser

Lumens per Foot (LF)	Delivered Lumens (L)	System Watts (W)	Lumens per Watt (LPW)
400	1600	15.7	102
500	2000	20.0	100
625	2500	25.4	98
825	3300	34.6	95
960	3840	41.4	93

Actual performance may differ by +/- 5% when operating between 120V-277V +/- 10%. Consult Factory for 90 CRI performances.

Multiplier for other Color Temp (K)

3000K 97%
3500K 100%
4000K 102%
5000K 103%



PERFORMANCE - ASO

Based on 4ft. Module, 3500K, 80 CRI, ASO diffuser

Lumens per Foot (LF)	Delivered Lumens (L)	System Watts (W)	Lumens per Watt (LPW)
400	1600	23.1	69
500	2000	29.6	68
625	2500	38.0	66
670	2680	41.3	65

Actual performance may differ by +/- 5% when operating between 120V-277V +/- 10%. Consult Factory for 90 CRI performances.

Multiplier for other Color Temp (K)

3000K 97%
3500K 100%
4000K 102%
5000K 103%



PERFORMANCE - HTA (DIRECT) / BW (INDIRECT)

Based on 4ft. Module, 3500K, 80 CRI, HTA Direct diffuser, BW Indirect diffuser

Direct Lumens Per Foot	Indirect Lumens Per FT	Direct/ Indirect %	Delivered Lumens Total (L)	System Watts (W)	Lumens Per Watt (LPW)
400	400	50/50	3200	28.6	113
	500	45/55	3600	31.6	114
	625	40/60	4100	35.8	115
	825	35/65	4900	42.9	114
	950	30/70	5400	47.7	113
500	1200	25/75	6400	57.6	111
	400	55/45	3600	32.7	110
	500	50/50	4000	35.9	111
	625	45/55	4500	40.1	112
	825	40/60	5300	47.2	112
625	950	35/65	5800	52.0	112
	1200	30/70	6800	61.9	110
	400	60/40	4100	38.1	108
	500	55/45	4500	41.3	109
	625	50/50	5000	45.5	110
825	825	45/55	5800	52.6	110
	950	40/60	6300	57.4	110
	1200	35/65	7300	67.3	108
	400	70/30	4900	47.3	104
	500	60/40	5300	50.5	105
960 MAX	625	55/45	5800	54.7	106
	825	50/50	6600	61.8	107
	950	45/55	7100	66.6	107
	1200	40/60	8100	76.5	106
	400	70/30	5440	54.1	101
	500	65/35	5840	57.3	102
	625	60/40	6340	61.5	103
	825	55/45	7140	68.6	104
	950	50/50	7640	73.4	104
	1200	45/55	8640	83.3	104

Actual performance may differ by +/- 5% when operating between 120V-277V +/- 10%. Consult Factory for 90 CRI performances.

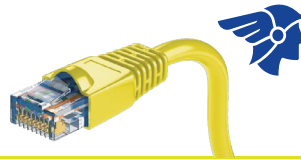
Multiplier for other Color Temp (K)

3000K 97%
3500K 100%
4000K 102%
5000K 103%



MLS2 PoE SERIES

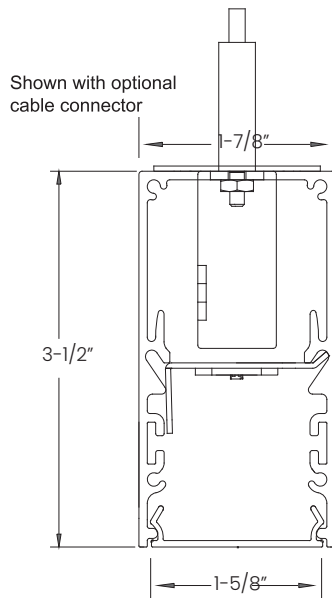
DIRECT, DIRECT/INDIRECT
SUSPENDED OR SURFACE MOUNT



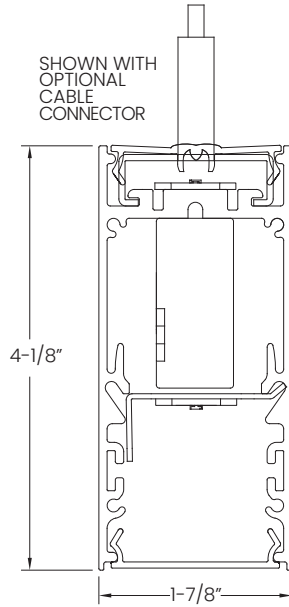
MERCURY[®]

Lighting Progress

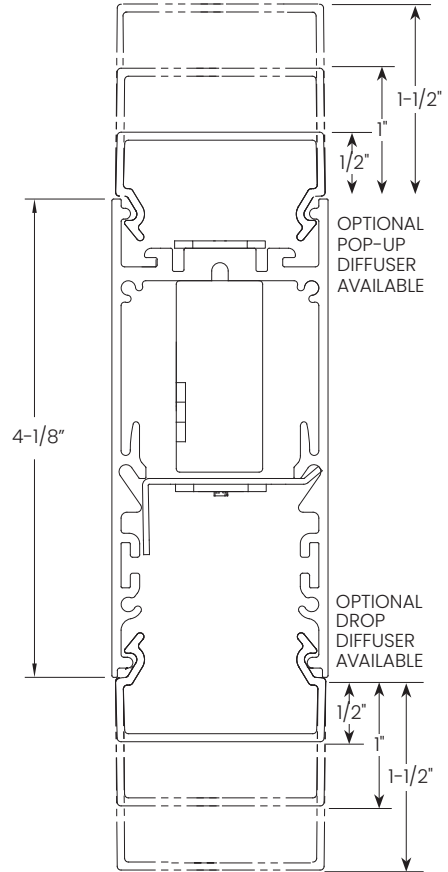
MOUNTING



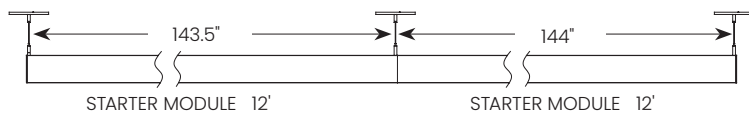
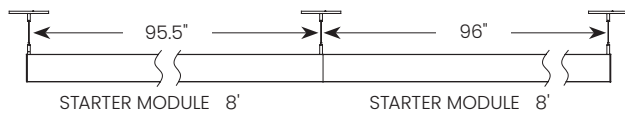
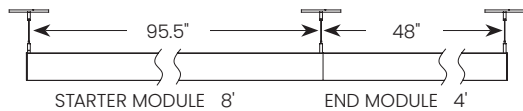
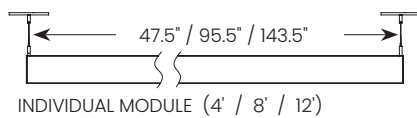
M
Suspended Cable Mount



DI
Direct/Indirect Suspended



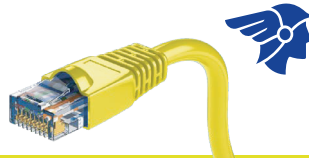
DIFFUSER



Consult factory for additional row length information.

MLS2 PoE SERIES

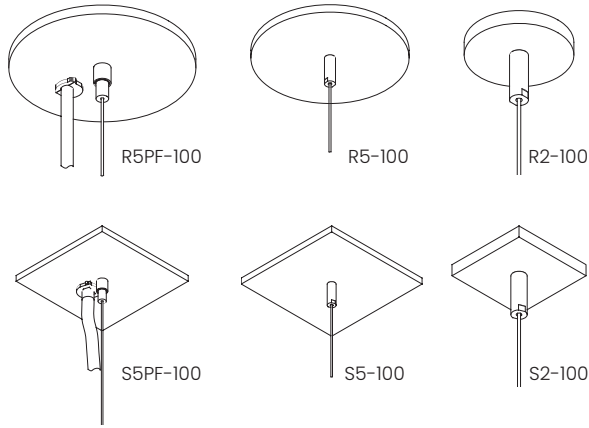
DIRECT, DIRECT/INDIRECT
SUSPENDED OR SURFACE MOUNT



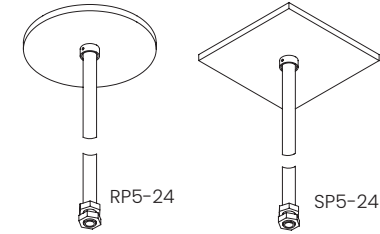
MERCURY
Lighting Progress

HANGING ACCESSORIES

CABLE SETS



STEM SETS

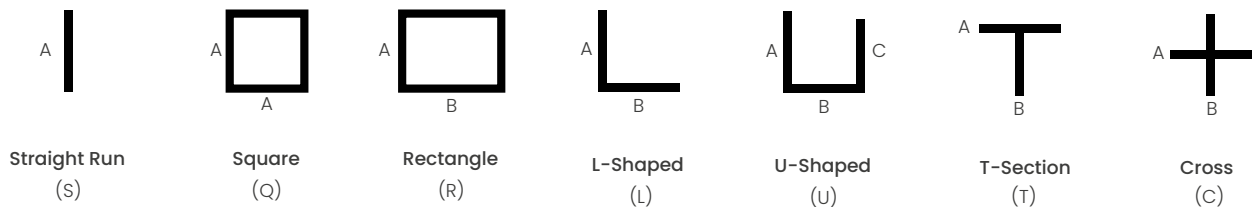


PART #	DESCRIPTION
R5PF-100	Round 5" power feed canopy, Hanging hardware, 100" long 1/16" cable.
R5-100	Round 5" canopy, Hanging hardware, 100" long 1/16" cable.
R2-100	Round 2" canopy, Hanging hardware, 100" long 1/16" cable.
S5PF-100	Round 2" canopy, Hanging hardware, 100" long 1/16" cable.
S5-100	Square 5" canopy, Hanging hardware, 100" long 1/16" cable.
S2-100	Square 2" canopy, Hanging hardware, 100" long 1/16" cable.
RP5-24	Round 5" canopy, Hanging hardware, 24" long 1/2" dia. stem.
SP5-24	Square 5" canopy, Hanging hardware, 24" long 1/2" dia. stem.

Other cable and stem lengths available. Consult factory.

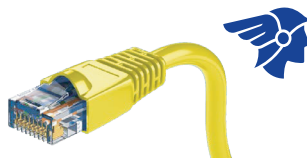
SHAPES/PATTERNS

For other shapes/patterns/runs consult the factory.



MLS2 PoE SERIES

DIRECT, DIRECT/INDIRECT SUSPENDED OR SURFACE MOUNT



MERCURY
Lighting Progress

HOUSINGS

Extruded aluminum profile in a 0.080-inch wall thickness. Maximum length of each linear component is 12-ft. .060 aluminum ends are provided where needed at row termini. A one-piece 14GA galvanized steel joiner/aligner bracket is provided for each joint between housings. Internal cold-rolled steel components. Standard or custom hanging points are provided. A custom formulated non-glare matte-white polyester powder coating provides an extremely durable and long-lasting finish. Custom color finishes on request.

DIFFUSERS

Seamless fit diffusers. Flawless and consistent end-to-end fit.
HTA Diffuser: extruded from custom formulated high transmission white acrylic material. Specify when the highest performance levels are required.
ASO Diffuser: extruded from custom formulated acrylic smooth opal material. Specify when a more esthetically white appearance is desired.
Allows maximum light transmission while eliminating pixilation and hot spots.
Smooth finish compliments the architectural elements.

LED MODULES

High performance linear configured LED module boards. Each board consists of multiple mid-power, high efficacy LEDs in a precise layout eliminating the need for supplemental heat sinking. The boards produce an even and diffuse light which maximizes optical efficiency. Compatible with the dimming performance of the LED driver. Color temperatures available 80 CRI: 3000K, 3500K and 4000K. Upon request: 5000K. Color temperatures available 90 CRI: 2700K, 3000K, 3500K and 4000K.

TUNABLE WHITE OPTION

Field tunable range 2700K through 6500K. 80CRI.

PoE DRIVERS

UL 2108 Listed.
Plenum Rated.
LED output voltage range 12-42VDC.
Class 2 rated electrical device.
Available in both single channel and dual channel.
Efficiency: 92% (typical) at 52VDC input, full load.
Constant Current accuracy +/- 3%.
Ambient temperature: 0 to 40°C (32 to 104°F).
Storage temperature: -40 to 85°C (-40 to 185°F).
Max case temperature: 75°C (167°F).
Environmental rating: Indoor.

DIMMING PERFORMANCE - PoE DRIVER

Dimming: PWM
Dimming type: Linear
Dimming frequency: 500Hz
Dimming range: 1-100%

CORESNC EMERGENCY LIGHTING BYPASS

UL 924 Compliant, Indoor Rated.
Ambient operating temperature 0-40C (32-104F).

ELECTRICAL - ELB

EM input: 110-277 VAC.
Output: 12-42 VDC up to 1050MA.
Standby Power: 1W.

MOLEX- PoE DRIVER

The Molex CoreSync Programmable Smart LED Driver is a compact low voltage, DC/DC LED driver that can be programmed to specific power outputs, for driving Constant Current LED engines in a wide variety of light fixtures. Controlled, powered and integrated with a Molex CoreSync PoE Gateway. This DC system provides 71.3 usable watts at the powered device, it operates at 52 VDC and has an amperage allowance 1.73 amps. Using this product gives the end user the option of making their building a smart building combining IT and OT to one platform, while being able to control but not limited to cameras, shades, occupancy, traffic patterns and DLH.

OPERATION - ELB

In the event of a power failure, PoE power source failure or disconnection of cabling, the module will bypass normal PoE control and activate the emergency power source. The fixture will power to full brightness and return to normal operation once the emergency has been cleared.

CORNERS

Standard 90 degree corners. Custom angled corners.

INSTALLATIONS

Designed to be suspended on cables. Specify **M** For direct surface mounting to most ceiling types, specify **MI** and consult factory. For stem mounting specify **M2** and consult factory. Lengths of 12-ft. and less to use one housing with two ends pre-installed. Lengths over 12-ft. will be engineered to job requirements using multiple housings with one end pre installed at each row end. Lengths over 12-ft. will include appropriate job required quick-connect plug-thru wire harnesses and housing joiners. All individual modules or multiple module runs to include job required feed wire as specified. Standard or custom hanging points will be provided per job specifications.

CERTIFICATE OF SAFETY COMPLIANCE AND LISTINGS

Luminaire: UL and CUL listed 1598 and bears their label. Suitable for damp locations.
Optional: Suitable for wet locations marking is available. Some limitations apply. Contact factory for all details.

WARRANTY

5-year limited warranty is standard. Special 10-year warranty available on a job-to-job basis. Complete LED warranty terms available at www.mercltg.com
Actual performance may differ as a result of end-user environment and application.
Most LED luminaires are suitable to operate in ambient temperatures from -20C (-4F) to 25C (77F).
The following exclusions apply: Luminaires with standby lighting option, integral lighting controls options, or wireless control options. Consult factory.
LM-79 testing was measured under a controlled 25C (77F) ambient operating temperature.