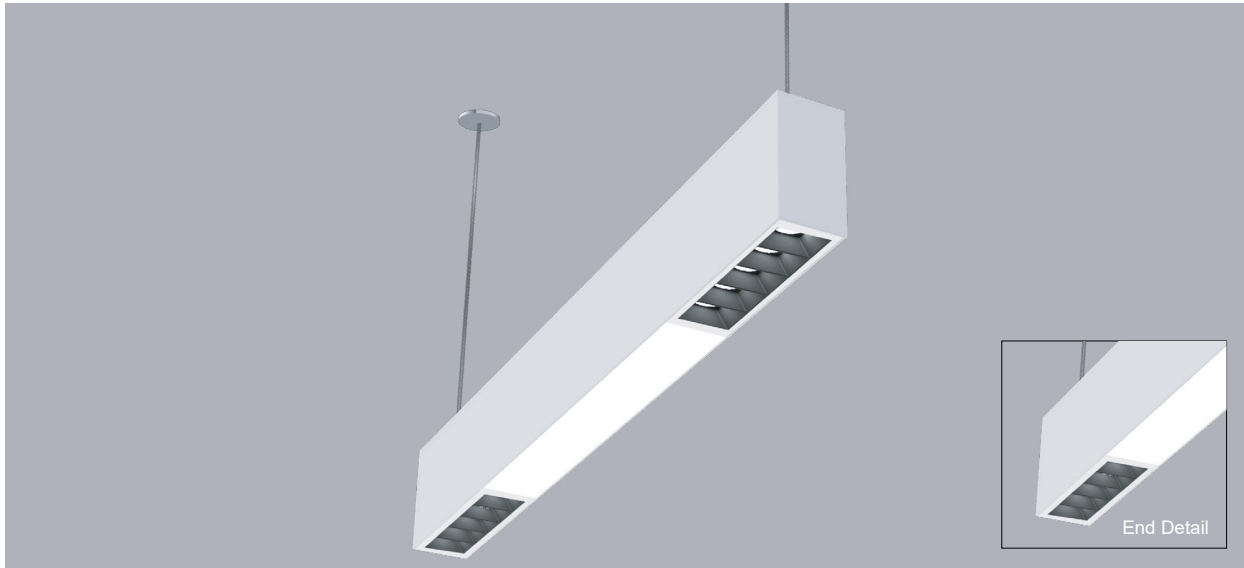


## MLS2-MD-M

**DYNAMIC MICRO-DOWNLIGHT MODULES MDM  
 ACCENT LIGHTING COMBINED WITH LINEAR LED SYSTEM  
 SUSPENDED OR SURFACE MOUNT**



### LINEAR FEATURES

- Extruded aluminum housing.
- Narrow 1 7/8" wide profile.
- Linear lengths; 4Ft, 8Ft, or 12Ft. Other lengths consult factory.
- Custom formulated high diffusion extruded acrylic lens.
- Non-glare matte-white polyester powder coating finish.
- Cable or stem mount from ceiling, or direct surface mount.
- Cataloged standard or custom set lumens-per-foot performances.
- 80 CRI standard. 90 CRI available.
- Fixture lumens per watt ratios up to 101.
- Lighting controls and sensors.
- American Made.

### DOWNLIGHT FEATURES

- Dynamic-micro-LED downlights add accent lighting as an integral part of the MLS2 linear LED illuminating system.
- Combines to create a unique multi-function system.
- Minimalistic in design, these Micro-Downlight Modules (MDM) offer upward of 74 lumens per watt performance.
- Specify clusters of 2, 5 or 10 MDM positioned at the ends of a 4Ft. linear luminaire.
- Specify clusters of 2, 5, 10 or 15 MDM positioned at the ends of an 8Ft. or 12Ft. linear luminaire.
- Custom positioning on request.
- Color temperatures available: 3000K or 3500K.
- Angle beam: 30 degrees. Others upon request.
- CRI 90.

### PERFORMANCE - HTA

Based on 4Ft. Module with (2) 5-Cell Downlight Clusters, 3500K, HTA Diffuser

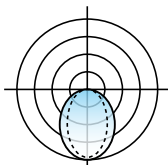
Lumens per Foot (LF)	Linear Length*	Total Linear Lumens	Lumens from Downlights	Total Lumens	Actual Lumens Per Foot
400	3ft	1200	1320	2520	630
500	3ft	1500	1320	2820	705
625	3ft	1875	1320	3195	798
825	3ft	2475	1320	3796	948
900	3ft	2700	1320	4020	1005

Actual performance may differ by +/- 5% when operating between 120V-277V +/- 10%. Consult Factory for 90 CRI performances.

**\* linear length calculated from fixture length minus 2(downlight module length) ie:48"-2(6")=36"**

Multiplier for other Color Temp (K)

3000K	97%
3500K	100%
4000K	102%
5000K	103%



Direct diffuser  
(ASO/HTA)



Fixture type:	Job information:
<input type="text"/>	<input type="text"/>

# MLS2-MD-M

## DYNAMIC MICRO-DOWNLIGHT MODULES MDM

### SUSPENDED OR SURFACE MOUNT



### PRODUCT DEFINITION SHEET

Ex: **MLS2-MD-M-48-825-935K-HTA-1-U-SR-5-30K-30**

1	2	3	4	5	6	7	8	9	10	11	12
---	---	---	---	---	---	---	---	---	----	----	----

LINEAR FEATURES				
1	2	3	4	5
SERIES	MOUNTING	LENGTH	LUMENS/FT	COLOR TEMP-CCT
<input type="checkbox"/> <b>MLS2-MD</b> LightPoints 2 Micro Downlight	<input type="checkbox"/> <b>M</b> Suspended Cable Mount  <input type="checkbox"/> <b>M1</b> Surface Mount  <input type="checkbox"/> <b>M2</b> Suspended Stem Mount	<input type="checkbox"/> <b>48</b> 48" Length <input type="checkbox"/> <b>96</b> 96" Length <input type="checkbox"/> <b>144</b> 144" Length  Custom lengths: Consult Factory	<input type="checkbox"/> <b>400</b> <input type="checkbox"/> <b>500</b> <input type="checkbox"/> <b>625</b> <input type="checkbox"/> <b>825</b> <input type="checkbox"/> <b>900</b>  Custom Lumen Packages. Packages with ASO diffuser. Contact Factory.	80 CRI <input type="checkbox"/> <b>30K</b> 3000K <input type="checkbox"/> <b>35K</b> 3500K <input type="checkbox"/> <b>40K</b> 4000K <input type="checkbox"/> <b>50K</b> 5000K Upon request  90 CRI <input type="checkbox"/> <b>927K</b> 2700K <input type="checkbox"/> <b>930K</b> 3000K <input type="checkbox"/> <b>935K</b> 3500K <input type="checkbox"/> <b>940K</b> 4000K

LINEAR FEATURES			
6	7	8	9
DIFFUSER	DRIVER	VOLTAGE	SENSOR READY
<input type="checkbox"/> <b>HTA</b> High Transmission Acrylic  <input type="checkbox"/> <b>ASO</b> Acrylic Smooth Opal (Performance is reduced with this diffuser)	<input type="checkbox"/> <b>1</b> 0-10V 1% Dimming  <input type="checkbox"/> - As Specified	<input type="checkbox"/> <b>U</b> Uni 120-277V <input type="checkbox"/> <b>1</b> 120V <input type="checkbox"/> <b>7</b> 277V <input type="checkbox"/> - As Specified  Please verify at the time of release if 120V or 277V is required. Although drivers are universal voltage, a specific voltage is required to determine amp draw as well as voltage specific flexes and/or plug thrus as needed.	<input type="checkbox"/> <b>SR</b> Sensor Ready  Required for Certain Controls, Contact Mercury Lighting

DOWNLIGHT MODULE		
10	11	12
DOWNLIGHTS PER CLUSTER/EACH END	COLOR TEMP-CCT	BEAM ANGLE
Available for 4Ft, 8Ft, and 12Ft. Modules <input type="checkbox"/> <b>2</b> <input type="checkbox"/> <b>5</b> <input type="checkbox"/> <b>10</b>  Available for 8Ft, and 12Ft. Modules <input type="checkbox"/> <b>15</b>  Black optical baffle and white trim is standard. Consult factory for other finishes.	90 CRI <input type="checkbox"/> <b>30K</b> 3000K <input type="checkbox"/> <b>35K</b> 3500K	<input type="checkbox"/> <b>30</b> Others Upon Request

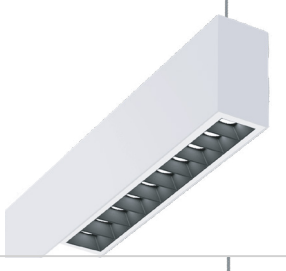
# MLS2-MD-M

DYNAMIC MICRO-DOWNLIGHT MODULES MDM  
SUSPENDED OR SURFACE MOUNT



## DOWNLIGHT MATRIX

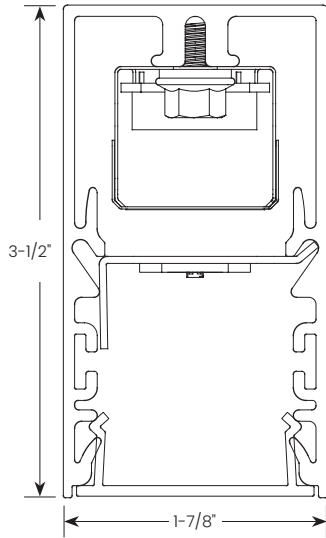
Based on MDM @3500K, 90CRI, 30-degree angle

Module	Downlight Per Cluster	Lumens (L)	Watts (W)	Lumens Per Watt (LPW)
	<p>2</p> 	218	4.79	45.5
	<p>5</p> 	660	10.09	65.4
	<p>10</p> 	1375	18.74	73.4
	<p>15</p>  <p>Available on 8Ft. and 12Ft. Modules Only.</p>	2016	27.40	73.6

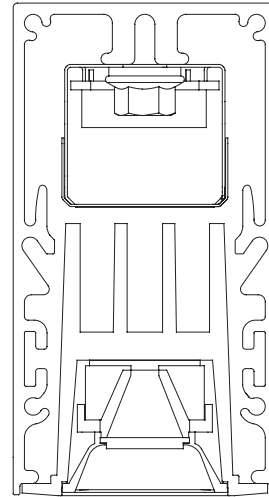
# MLS2-MD-M

DYNAMIC MICRO-DOWNLIGHT MODULES MDM  
SUSPENDED OR SURFACE MOUNT

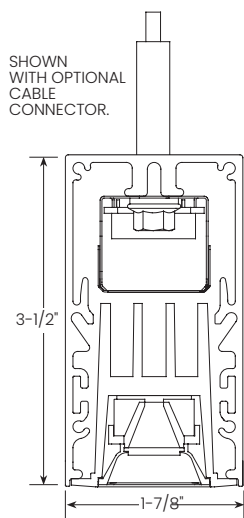
## MOUNTING



Section Thru Linear LED

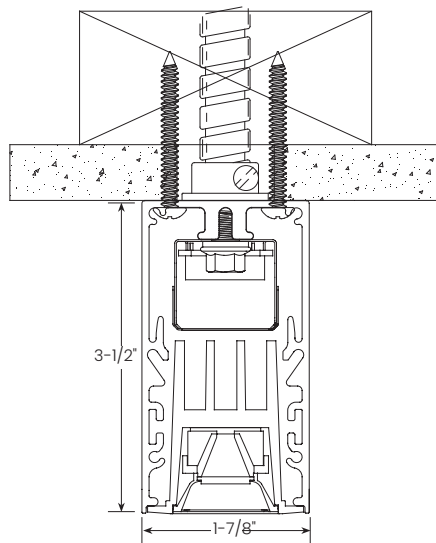


Section Thru Downlight



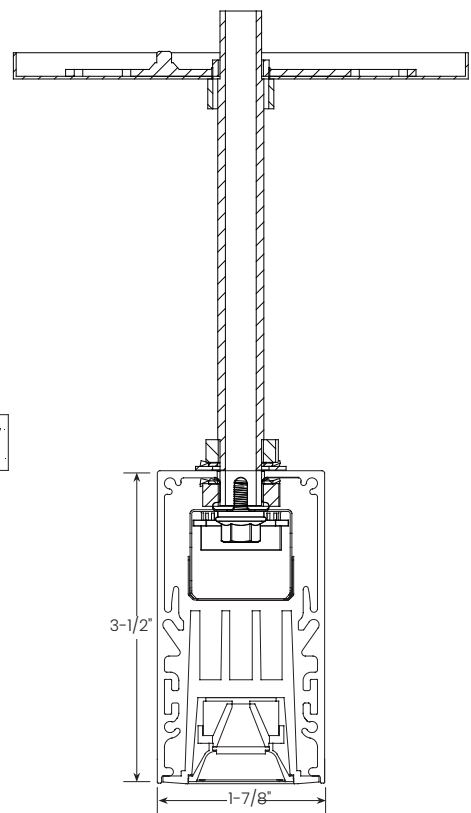
**M**

Suspended Cable Mount



**M1**

Surface Mount



**M2**

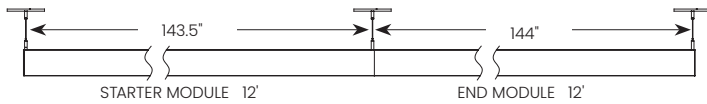
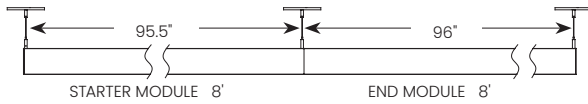
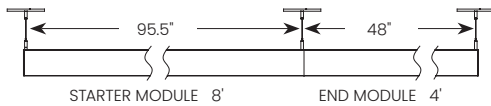
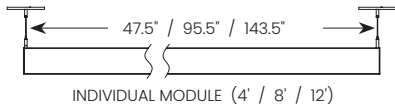
Suspended Stem Mount

# MLS2-MD-M

## DYNAMIC MICRO-DOWNLIGHT MODULES MDM SUSPENDED OR SURFACE MOUNT

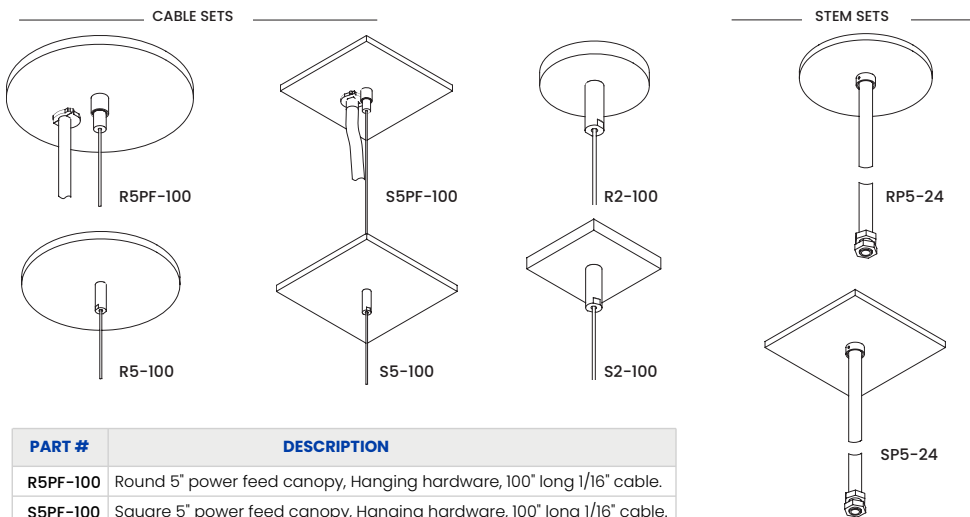


### DIFFUSER



Consult factory for additional row length information

### HANGING ACCESSORIES



PART #	DESCRIPTION
R5PF-100	Round 5" power feed canopy, Hanging hardware, 100" long 1/16" cable.
S5PF-100	Square 5" power feed canopy, Hanging hardware, 100" long 1/16" cable.
R5-100	Round 5" canopy, Hanging hardware, 100" long 1/16" cable.
R2-100	Round 2" canopy, Hanging hardware, 100" long 1/16" cable.
S5-100	Square 5" canopy, Hanging hardware, 100" long 1/16" cable.
S2-100	Square 2" canopy, Hanging hardware, 100" long 1/16" cable.
RP5-24	Round 5" canopy, Hanging hardware, 24" long 1/2" dia. stem.
SP5-24	Square 5" canopy, Hanging hardware, 24" long 1/2" dia. stem.

Other cable and stem lengths available. Consult factory.

# MLS2-MD-M

## DYNAMIC MICRO-DOWNLIGHT MODULES MDM

### SUSPENDED OR SURFACE MOUNT



#### HOUSINGS

Extruded aluminum profile in a 0.080-inch wall thickness. Maximum length is 12Ft.  
.060 aluminum ends are provided.  
Internal cold-rolled steel components.  
Standard or custom hanging points are provided.  
A custom formulated non-glare matte-white polyester powder coating provides an extremely durable and long-lasting finish. Custom color finishes on request.

#### DIFFUSERS

Seamless fit diffusers. Flawless and consistent end to-end fit.  
Standard diffuser: extruded from custom formulated high transmission white acrylic material. Allows maximum light transmission while eliminating pixilation and hot spots.  
Optional diffuser: extruded from acrylic smooth opal material. Offers a more esthetically white appearance. Note: reduces performance by up to 25%.  
Smooth finish on both diffusers compliments the architectural elements.

#### LED MODULES

High performance linear configured LED module boards.  
Each board consists of multiple mid-power, high efficacy LEDs in a precise layout eliminating the need for supplemental heat sinking.  
The boards produce an even and diffuse light which maximizes optical efficiency.  
Compatible with the dimming performance of the LED driver.  
Color temperatures available 80CRI: 3000K, 3500K and 4000K. Upon request: 5000K.  
Color temperatures available 90CRI: 2700K, 3000K, 3500K and 4000K.

#### LED DRIVERS

Factory programmable constant current LED power supply.  
Multiple standard drive current outputs (factory set by Mercury) are cataloged with their corresponding lumens-per-foot offering. Upon request, custom drive current outputs and lumens-per-foot options are available.  
Note: Certain cataloged lumens-per-foot offerings may be provided with a non-programmable constant current LED power supply at Mercury's discretion. Contact factory if critical.  
Universal voltage input, 120V-277V, 50HZ-60HZ.  
Specification grade continuous dimming capability down to 1% on 0-10V dimming controls.  
Lutron driver available: LDEI series.

#### DOWNLIGHT MODULES

Each MDM delivers up to 74 lumens per watt.  
Specify clusters of 2, 5 or 10 MDM positioned at the ends of a 4Ft. linear luminaire.  
Specify clusters of 2, 5, 10 or 15 MDM positioned at the ends of an 8Ft. or 12Ft. linear luminaire.  
Custom positioning on request.  
Color temperatures available: 3000K or 3500K. CRI 90.  
Angle beam: 30 degree. Others upon request.  
Each MDM is finished with a black optical baffle and white trim.  
Optional finishes on request. Contact factory.

#### DOWNLIGHT DRIVERS

All MDM drivers are mounted inside luminaire as an integral component.  
Universal voltage input, 120V-277V, 50HZ-60HZ.  
Specification grade dimming down to 1% on 0-10V dimming controls.

#### STANDBY LIGHTING OPTIONS

For linear LED components only. Not for downlights.  
Self-contained module, 10W or 12W as specified. Battery backup upon loss of power.

#### INTEGRAL LIGHTING CONTROLS

Various lighting controls and sensors are optional.  
Consult factory.

#### CONTINUOUS RUNS, CORNERS AND PATTERNS

Please consult factory with any special requirements.

#### INSTALLATIONS

Designed to be suspended on cables. Specify **M**  
For direct surface mounting to most ceiling types, specify **M1** and consult factory.  
For stem mounting specify **M2** and consult factory.  
All individual luminaires to include job required feed wire as specified.  
Standard or custom hanging points will be provided per job specifications.

#### CERTIFICATE OF SAFETY COMPLIANCE AND LISTINGS

Luminaire: UL and CUL listed 1598 and bears their label. Suitable for damp locations.

#### WARRANTY

5-year limited warranty is standard. Special 10-year warranty available on a job-to-job basis. Complete LED warranty terms available at [www.mercltg.com](http://www.mercltg.com)  
Actual performance may differ as a result of end-user environment and application.  
Most LED luminaires are suitable to operate in ambient temperatures from -20C (-4F) to 25C (77F).  
The following exclusions apply: Luminaires with standby lighting option, integral lighting controls options, or wireless control options. Consult factory.  
LM-79 testing was measured under a controlled 25C (77F) ambient operating temperature.