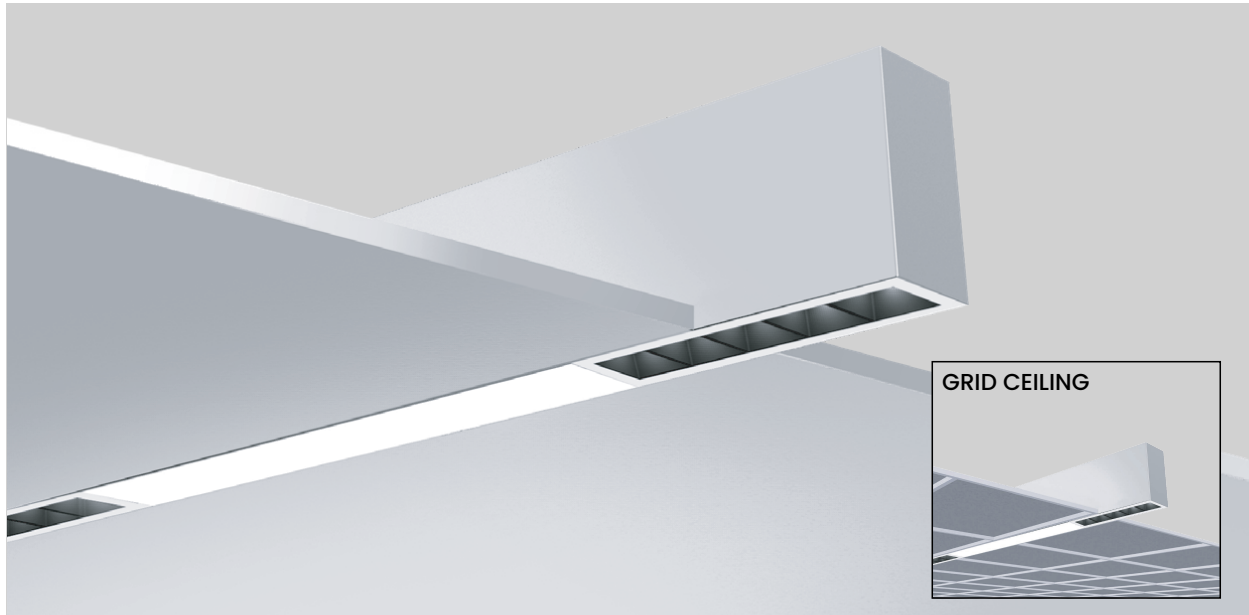


MLS2-MD

**DYNAMIC MICRO-DOWNLIGHT MODULES MDM
ACCENT LIGHTING COMBINED WITH LINEAR LED SYSTEM
RECESSED MOUNT FOR DRYWALL & GRID CEILINGS**



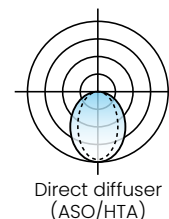
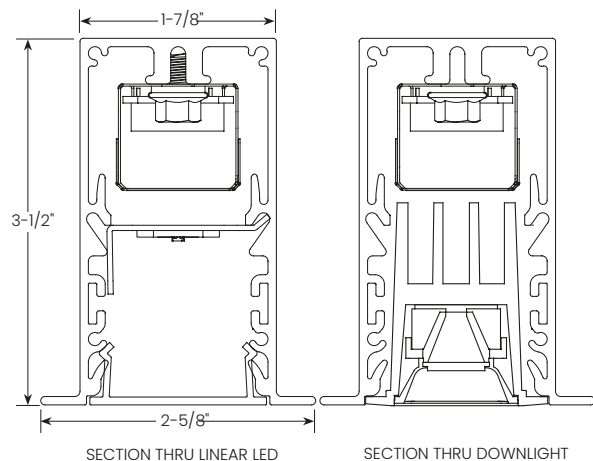
LINEAR FEATURES

- Extruded aluminum housing produce perfectly straight lines of light.
- Narrow 1 7/8" wide profile.
- Linear lengths; 4Ft, 8Ft, or 12Ft. Other lengths consult factory.
- Custom formulated high diffusion extruded acrylic lens.
- Non-glare matte-white polyester powder coating finish.
- Recessed for various grid ceiling types.
- Cataloged standard or custom set lumens-per-foot performances.
- 80 CRI standard. 90 CRI available.
- Fixture lumens per watt ratios up to 101.
- Lighting controls and sensors.
- American Made.

DOWNLIGHT FEATURES

- Dynamic-micro-LED downlights add accent lighting as an integral part of the MLS2 linear LED illuminating system.
- Combines to create a unique multi-function system.
- Minimalistic in design, these Micro-Downlight Modules (MDM) offer upward of 74 lumens per watt performance.
- Specify clusters of 2, 5 or 10 MDM positioned at the ends of a 4Ft. linear luminaire.
- Specify clusters of 2, 5, 10 or 15 MDM positioned at the ends of an 8Ft. or 12Ft. linear luminaire.
- Custom positioning on request.
- Color temperatures available: 3000K or 3500K.
- Angle beam: 30 degrees. Others upon request.
- CRI 90.

CROSS SECTION



Fixture type:

Job information:

MLS2-MD

DYNAMIC MICRO-DOWNLIGHT MODULES MDM
RECESSED MOUNT FOR DRYWALL & GRID CEILINGS



PRODUCT DEFINITION SHEET

Ex: **MLS2-MD-N5-48-825-935K-HTA-1-U-SR-5-35K-30**



LINEAR FEATURES				
1	2	3	5	6
SERIES	MOUNTING	LENGTH	LUMENS/FT	COLOR TEMP-CCT
<input type="checkbox"/> MLS2-MD LightPoints 2 Dynamic Downlight	<input type="checkbox"/> N5 Trimless 5/8" <input type="checkbox"/> NI Trimless 1/2" <input type="checkbox"/> F Flange Trim for drywall <input type="checkbox"/> G9 Grid 9/16" flat T grid <input type="checkbox"/> G15 Grid 15/16" flat T grid <input type="checkbox"/> S Screw Slot <input type="checkbox"/> SI 9/16" Interlude	<input type="checkbox"/> 48 48" Length <input type="checkbox"/> 96 96" Length <input type="checkbox"/> 144 144" Length Custom lengths: Consult Factory	<input type="checkbox"/> 400 <input type="checkbox"/> 500 <input type="checkbox"/> 625 <input type="checkbox"/> 825 <input type="checkbox"/> 900 Custom Lumen Packages. Packages with ASO diffuser. Contact Factory.	80 CRI <input type="checkbox"/> 30K 3000K <input type="checkbox"/> 35K 3500K <input type="checkbox"/> 40K 4000K <input type="checkbox"/> 50K 5000K Upon request 90 CRI <input type="checkbox"/> 927K 2700K <input type="checkbox"/> 930K 3000K <input type="checkbox"/> 935K 3500K <input type="checkbox"/> 940K 4000K

LINEAR FEATURES			
7	8	9	10
DIFFUSER	DRIVER	VOLTAGE	SENSOR READY
<input type="checkbox"/> HTA High Transmission Acrylic <input type="checkbox"/> ASO Acrylic Smooth Opal (Performance is reduced with this diffuser)	<input type="checkbox"/> 1 0-10V 1% Dimming <input type="checkbox"/> - As Specified	<input type="checkbox"/> U Uni 120-277V <input type="checkbox"/> 1 120V <input type="checkbox"/> 7 277V <input type="checkbox"/> - As specified Please verify at the time of release if 120V or 277V is required. Although drivers are universal voltage, a specific voltage is required to determine amp draw as well as voltage specific flexes and/or plug thrus as needed.	<input type="checkbox"/> SR Sensor Ready Required for Certain Controls, Contact Mercury Lighting

DOWNLIGHT MODULES		
10	11	12
DOWNLIGHT PER CLUSTER/EACH END	COLOR TEMP-CCT	BEAM ANGLE
<input type="checkbox"/> 2 <input type="checkbox"/> 5 <input type="checkbox"/> 10 Available for 4Ft., 8Ft. and 12Ft. Modules <input type="checkbox"/> 15 Available for 8Ft. and 12Ft. Modules Black optical baffle and white trim is standard. Consult factory for other finishes.	90 CRI <input type="checkbox"/> 30K 3000K <input type="checkbox"/> 35K 3500K	<input type="checkbox"/> 30 Others Upon Request

PERFORMANCE

PERFORMANCE - HTA (LINEAR PERFORMANCE)

Based on 4Ft. Module with (2) 5-Cell Downlight Clusters, 3500K, HTA Diffuser

Lumens per Foot (LF)	Linear Length*	Total Linear Lumens	Lumens from Downlights (see page 3)	Total Lumens	Actual Lumens Per Foot
400	3ft	1200	1320	2520	630
500	3ft	1500	1320	2820	705
625	3ft	1875	1320	3195	798
825	3ft	2475	1320	3795	948
900	3ft	2700	1320	4020	1005

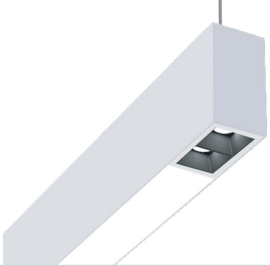
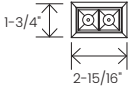
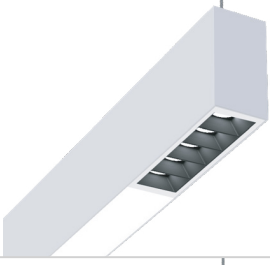
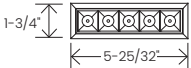
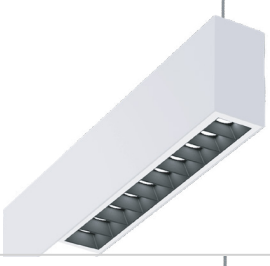
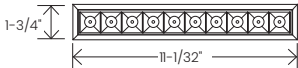
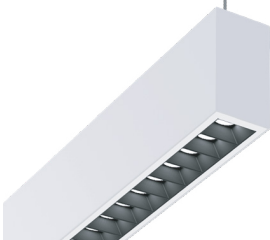
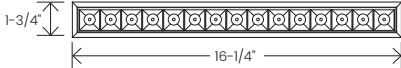
Actual performance may differ by +/- 5% when operating between 120V-277V +/- 10%. Consult Factory for 90 CRI performances.
* linear length calculated from fixture length minus 2(downlight module length) ie:48"-2(6")=36"

Multiplier for other Color Temp (K)
3000K 97%
3500K 100%
4000K 102%
5000K 103%



DOWNLIGHT MATRIX

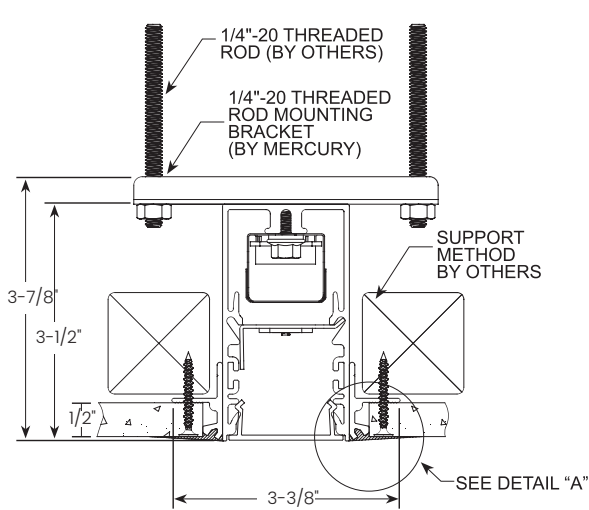
Based on MDM @3500K, 90CRI, 30-degree angle

Module	Downlight Per Cluster	Lumens (L)	Watts (W)	Lumens Per Watt (LPW)
	2 	218	4.79	45.5
	5 	660	10.09	65.4
	10 	1375	18.74	73.4
	15  Available on 8Ft. and 12Ft. Modules Only.	2016	27.40	73.6

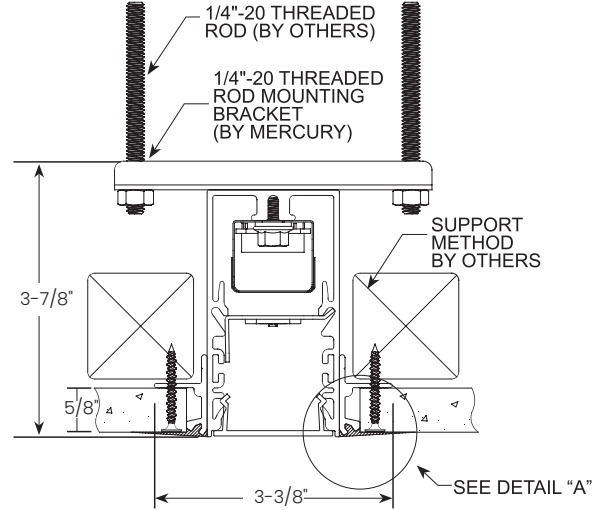
MLS2-MD

DYNAMIC MICRO-DOWNLIGHT MODULES MDM
RECESSED MOUNT FOR DRYWALL & GRID CEILINGS

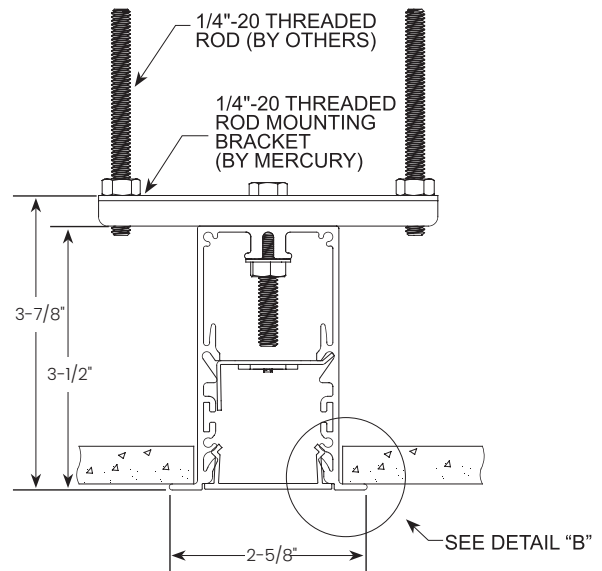
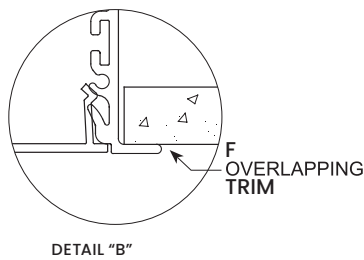
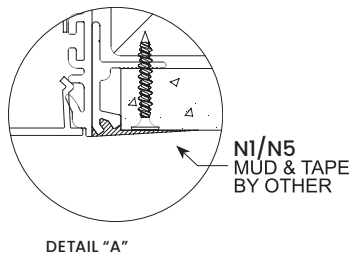
MOUNTING



N1
Trimless 1/2"



N5
Trimless 5/8"

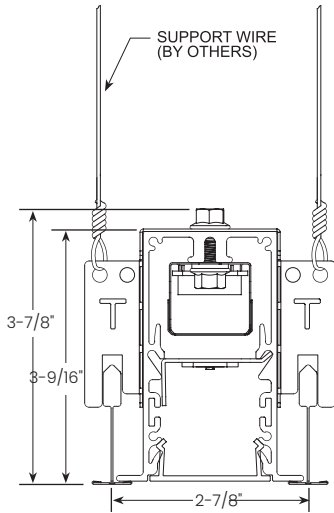


F
Flange Trim for drywall

MLS2-MD

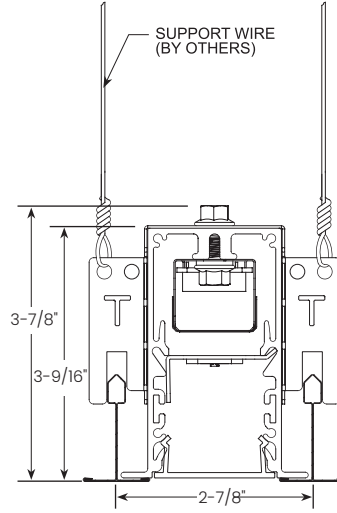
DYNAMIC MICRO-DOWNLIGHT MODULES MDM
RECESSED MOUNT FOR DRYWALL & GRID CEILINGS

MOUNTING



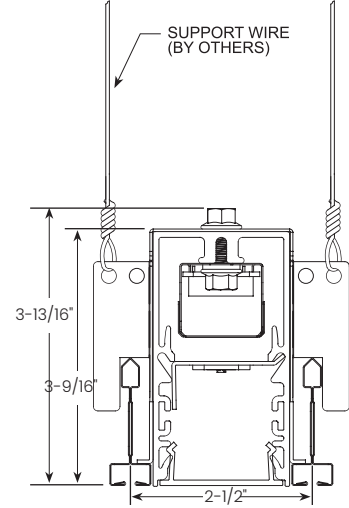
G9

Grid 9/16" flat T grid



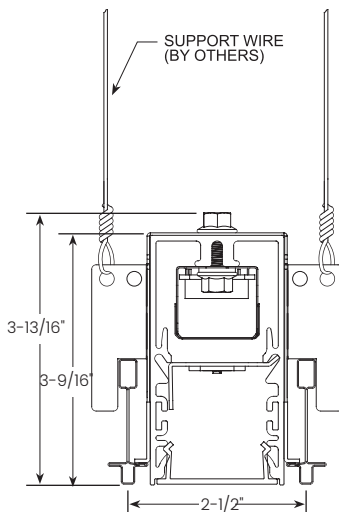
G15

Grid 15/16" flat T grid



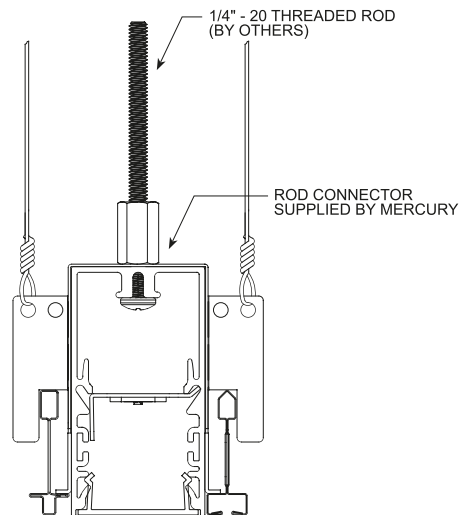
S

Screw Slot



SI

9/16" Interlude



OPTIONAL
SCREW MOUNTING
METHOD

HOUSINGS

Extruded aluminum profile in a 0.080-inch wall thickness. Maximum length is 12Ft.
.060 aluminum ends are provided.
Internal cold-rolled steel components.
Housing intended for recessing into grid type ceiling systems. Trimless housing for plaster-in or overlapping flange trim. See ceiling types section.
A custom formulated non-glare matte-white polyester powder coating provides an extremely durable and long-lasting finish.

DIFFUSERS

Seamless fit diffusers. Flawless and consistent end to-end fit.
Standard diffuser: extruded from custom formulated high transmission white acrylic material. Allows maximum light transmission while eliminating pixilation and hot spots.
Optional diffuser: extruded from acrylic smooth opal material. Offers a more esthetically white appearance. Note: reduces performance by up to 25%.
Smooth finish on both diffusers compliments the architectural elements.

LED MODULES

High performance linear configured LED module boards.
Each board consists of multiple mid-power, high efficacy LEDs in a precise layout eliminating the need for supplemental heat sinking.
The boards produce an even and diffuse light which maximizes optical efficiency.
Compatible with the dimming performance of the LED driver.
Color temperatures available 80 CRI: 3000K, 3500K and 4000K. Upon request: 5000K.
Color temperatures available 90 CRI: 2700K, 3000K, 3500K and 4000K.

LED DRIVERS

Factory programmable constant current LED power supply.
Multiple standard drive current outputs (factory set by Mercury) are cataloged with their corresponding lumens per-foot offering. Upon request, custom drive current outputs and lumens-per-foot options are available.
Note: Certain cataloged lumens-per-foot offerings may be provided with a non-programmable constant current LED power supply at Mercury's discretion. Contact factory if critical.
Universal voltage input, 120V-277V, 50HZ-60HZ.
Specification grade dimming down to 1% on 0-10V dimming controls.
Lutron drivers available: LDEI series.

DOWNLIGHT MODULES

Each MDM delivers up to 74 lumens per watt.
Specify clusters of 2, 5 or 10 MDM positioned at the ends of a 4Ft. linear luminaire.
Specify clusters of 2, 5, 10 or 15 MDM positioned at the ends of an 8Ft. or 12Ft. linear luminaire.
Custom positioning on request.
Color temperatures available: 3000K or 3500K.
CRI 90.
Angle beam: 30 degree. Others upon request.
Each MDM is finished with a black optical baffle and white trim.
Optional finishes on request. Contact factory.

DOWNLIGHT DRIVERS

All MDM drivers are mounted inside luminaire as an integral component.
Universal voltage input, 120V-277V, 50HZ-60HZ.
Specification grade dimming down to 1% on 0-10V dimming controls.

STANDBY LIGHTING OPTIONS

For linear LED components only. Not for downlights.
Self-contained module, 10W or 12W as specified. Battery backup upon loss of power.

INTEGRAL LIGHTING OPTIONS

Various lighting controls and sensors are optional.
Consult factory.

CONTINUOUS RUNS, CORNERS AND PATTERNS

Please consult factory with any special requirements

INSTALLATIONS

Designed for recessed installation into acoustical grid and drywall ceiling systems.
See ceiling types section.
Available for various types; 15/16" grid, 9/16" grid, 9/16" screw-slot, 9/16" interlude.
Grid pry outs lock over top of gridwork. Auxiliary suspension required to building structure.
Trimless housing requires plastering-in after installation.
Overlapping flange trim neatly closes off drywall opening.
Auxiliary suspension required to building structure.
Wiring access plate provided on top. End plates have 7/8" KO.

CERTIFICATE OF SAFETY COMPLIANCE AND LISTINGS

Luminaire: UL and CUL listed 1598 and bears their label. Suitable for damp locations.

WARRANTY

5-year limited warranty is standard. Special 10-year warranty available on a job-to-job basis. Complete LED warranty terms available at www.mercltg.com.
Actual performance may differ as a result of end user environment and application.
Most LED luminaires are suitable to operate in ambient temperatures from -20C (-4F) to 25C (77F).
The following exclusions apply: Luminaires with standby lighting option, integral lighting controls options, or wireless control options. Consult factory.
LM-79 testing was measured under a controlled 25C (77F) ambient operating temperature.