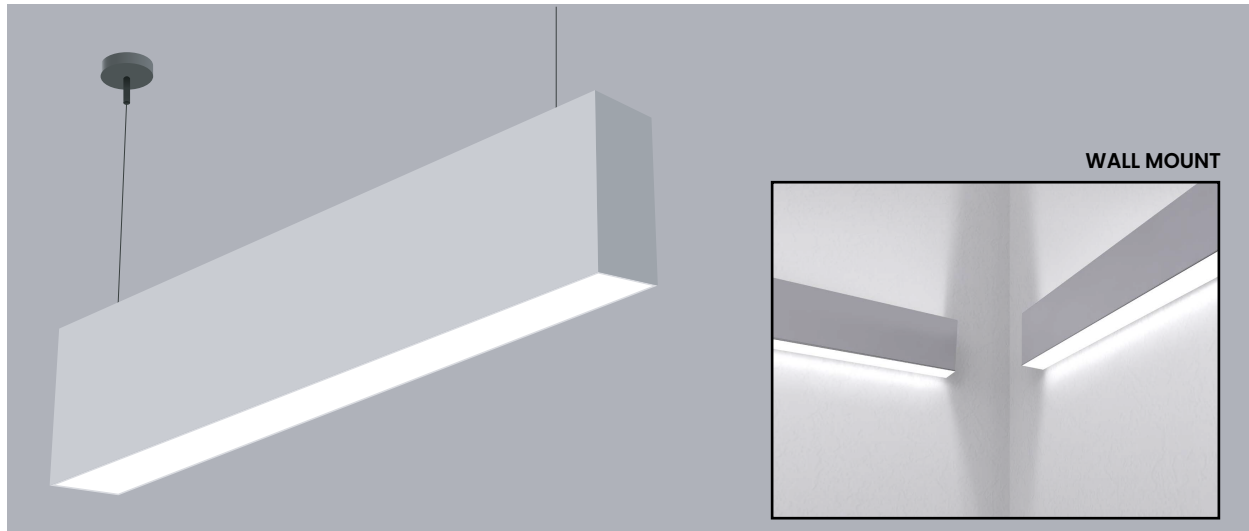
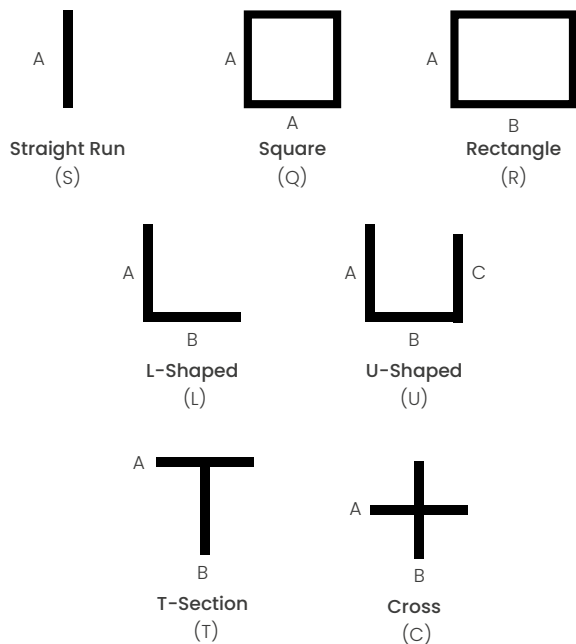


MLS1.5

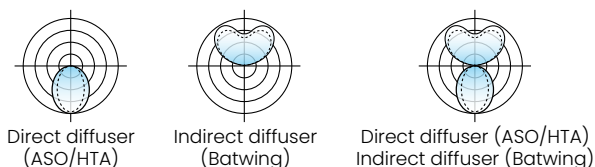
LINEAR LED ILLUMINATING SYSTEM
SUSPENDED / SURFACE MOUNT / WALL MOUNT
DIRECT ONLY / INDIRECT ONLY / DIRECT/INDIRECT



SHAPES/PATTERNS



For other shapes/patterns/runs consult the factory.



FEATURES

- Extruded aluminum housing.
- Narrow 1-7/8" wide profile.
- Linear lengths of 2ft and above in increments of an inch.
- Custom formulated high diffusion extruded acrylic lens.
- Non-glare matte-white polyester powder coating finish.
- Dual directional illumination. Direct downlighting and indirect uplighting.
- Custom colors available.
- Cable or stem mount from ceiling, or direct surface mount.
- A new extrusion with a shallower overall height of just 4-1/8".
- A new custom designed batwing-type indirect diffuser. Spreads light from the linear LED boards into two distinct side lobes. When projected onto the ceiling the results are a very consistent and wide spread of indirect illumination.
- New additional drop-down or pop-up diffuser options.
- Standard and custom corners, crosses and T-sections offer the ability to design unlimited patterns, shapes and runs.
- Standard or custom set lumens-per-foot performances.
- 80 CRI standard. 90 CRI available.
- Continuous dimming capability down to 1% on 0-10V controls.
- IC rated.
- CCEA option available.
- Fixture lumens per watt ratios up to 139.
- Lighting controls and sensors.
- Tunable white feature optional.
- American Made.
- Lightning Program eligible (ships in 15 days or less): See ordering data for options.



Fixture type:	Job information:
<input type="text"/>	<input type="text"/>

MLS1.5

LINEAR LED ILLUMINATING SYSTEM
 SUSPENDED / SURFACE MOUNT / WALL MOUNT
 DIRECT ONLY / INDIRECT ONLY / DIRECT/INDIRECT



PRODUCT DEFINITION SHEET

All options highlighted in **BLUE** are eligible for **Lightning Program** (same quality product, shipped in 15 days or less)

Ex: **MLS1.5-DI-144-S18-825-900-35K-HTA-BW-1-2C-U-EM12-WL-SR-AU**

1	2	3	4	5	6	7	8
9	10	11	12	13	14	15	16

1	2	3	4
SERIES	MOUNTING	LENGTH	SHAPE (ENTER LENGTH IN PRODUCT CODE ABOVE)
<input type="checkbox"/> MLS1.5 LightStreams <input type="checkbox"/> LP-MLS1.5 Lightning Program	<input type="checkbox"/> DI Direct/ Indirect Suspended <input type="checkbox"/> DI Direct/Indirect Suspended Stem Mount <input type="checkbox"/> I Indirect Suspended <input type="checkbox"/> M Direct Suspended Cable Mount <input type="checkbox"/> M1 Direct Surface Mount <input type="checkbox"/> M2 Direct Suspended Stem Mount <input type="checkbox"/> WDI Wall Mount Direct/Indirect <input type="checkbox"/> WMD Wall Mount Direct <input type="checkbox"/> WMI Wall Mount Indirect Consult factory for surface mounting to grid options.	<input type="checkbox"/> 48 48" Length <input type="checkbox"/> 96 96" Length <input type="checkbox"/> 144 144" Length Custom or Row Length. 24" and above in 1" increments. Ex. in inches: 82, 384, etc.	<input type="checkbox"/> S__ Individual/Straight Run Section (enter length, ex. S18) <input type="checkbox"/> Q__ Square Configuration (enter side length A, ex. Q18) <input type="checkbox"/> R_/_/_ Rectangular Configuration (enter side lengths A and B, ex. R12/24) <input type="checkbox"/> L_/_/_ L-Shaped Configuration (enter side lengths A and B, ex. L12/24) <input type="checkbox"/> U_/_/_/_ U-Shaped Configuration (enter side lengths A, B, and C, ex. U12/12/24) <input type="checkbox"/> T_/_/_ T-Section (enter side lengths A and B, ex. T12/24) <input type="checkbox"/> C_/_/_ Cross Configuration (enter side lengths A and B, ex. C12/24) All corners of shape must be 90°, same plane. Lengths greater than 8' consist of multiple individual housing sections joined together. Lengths are nominal and may vary based on lamping and other specification selections. Consult Mercury when exact lengths are required. Consult factory for corners other than 90°

5	6	7	8	9	10
LUMENS/FT DIRECT	LUMENS/FT INDIRECT	COLOR TEMP-CCT	DIFFUSER DIRECT	DIFFUSER INDIRECT	DRIVER
HTA <input type="checkbox"/> 400 <input type="checkbox"/> 500 <input type="checkbox"/> 625 <input type="checkbox"/> 825 <input type="checkbox"/> 960 ASO <input type="checkbox"/> 400 <input type="checkbox"/> 500 <input type="checkbox"/> 625 <input type="checkbox"/> 670* *For direct light only	BW <input type="checkbox"/> 400 <input type="checkbox"/> 500 <input type="checkbox"/> 625 <input type="checkbox"/> 825 <input type="checkbox"/> 900 <input type="checkbox"/> 1200	80 CRI <input type="checkbox"/> 30K 3000K <input type="checkbox"/> 35K 3500K <input type="checkbox"/> 40K 4000K <input type="checkbox"/> 50K 5000K Upon request <input type="checkbox"/> TW Tunable White 2700K-6500K 90 CRI <input type="checkbox"/> 927K 2700K <input type="checkbox"/> 930K 3000K <input type="checkbox"/> 935K 3500K <input type="checkbox"/> 940K 4000K	<input type="checkbox"/> HTA High Transmission Acrylic <input type="checkbox"/> ASO Acrylic Smooth Opal	<input type="checkbox"/> BW Batwing Indirect	<input type="checkbox"/> 1 0-10V 1% Dimming <input type="checkbox"/> IDD 0-10% Dimming Dim to Dark <input type="checkbox"/> eL eldoLED Solo 0.1% <input type="checkbox"/> LDE1 Lutron Hi- Lume <input type="checkbox"/> - As Specified

OPTIONS

11	12	13	14	15	16
CIRCUITING	VOLTAGE	STANDBY MODULES	MISC.	SENSOR READY	LIGHTING CONTROLS
<input type="checkbox"/> 1C Direct + Indirect dim together <input type="checkbox"/> 2C Direct and Indirect controlled independently Contact Mercury for adding additional zones, separated zones/circuits, etc	<input type="checkbox"/> U Uni 120-277V <input type="checkbox"/> 1 120V <input type="checkbox"/> 7 277V Please verify at the time of release if 120V or 277V is required. Although drivers are universal voltage, a specific voltage is required to determine amp draw as well as voltage specific flexes and/or plug thrus as needed.	<input type="checkbox"/> EM10 Emergency Battery 10W <input type="checkbox"/> EM12 Emergency Battery 12W <input type="checkbox"/> NO OPTION Available in modules of 4-ft. and longer.	<input type="checkbox"/> WL UL "Suitable for Wet Locations" labeled <input type="checkbox"/> BABA Consult factory	<input type="checkbox"/> SR Sensor Ready Required for Certain Controls, Contact Mercury Lighting	<input type="checkbox"/> AU Autani <input type="checkbox"/> AVI Avi-On <input type="checkbox"/> CA Casambi <input type="checkbox"/> LV Leviton <input type="checkbox"/> LT Lutron <input type="checkbox"/> NL nLight <input type="checkbox"/> PS Philips/Signify <input type="checkbox"/> WA Wattstopper <input type="checkbox"/> CU Current nx <input type="checkbox"/> NO No option

Consult Mercury Lighting for further information and other options.

Mercury should be notified if the controls are to be Wireless, Networked Lighting Controls, 0-10V Dimming, DMX, etc.

If controls aren't specified, the fixture ships 0-10V, 1% dimming, unified D/I control.

CUSTOM HANGING POINT	CUSTOM PAINT COLORS
<input type="checkbox"/> As Specified	<input type="checkbox"/> As Specified

MLS1.5

LINEAR LED ILLUMINATING SYSTEM
SUSPENDED / SURFACE MOUNT / WALL MOUNT
DIRECT ONLY / INDIRECT ONLY / DIRECT/INDIRECT



PERFORMANCE

HTA (DIRECT ONLY)

Based on 4Ft. Module, 3500K, 80 CRI- HTA diffuser-Signify LV6 LED Boards. Signify LV6 LED Boards

Lumens per Foot (LF)	Delivered Lumens (L)	System Watts (W)	Lumens per Watt (LPW)
400	1600	15.2	105
500	2000	19.1	105
625	2500	24.4	102
825	3300	32.9	100
960	3840	39.0	98

Actual performance may differ by +/- 5% when operating between 120V-277V +/- 10%. Consult Factory for 90 CRI performances.

Multiplier for other Color Temp (K)

3000K	97%
3500K	100%
4000K	102%
5000K	103%



ASO (DIRECT ONLY)

Based on 4Ft. Module, 3500K, 80 CRI- ASO diffuser-Signify LV6 LED Boards. Signify LV6 LED Boards

Lumens per Foot (LF)	Delivered Lumens (L)	System Watts (W)	Lumens per Watt (LPW)
400	1600	22.2	72
500	2000	28.4	70
625	2500	36.1	69
670	2680	39.0	69

Actual performance may differ by +/- 5% when operating between 120V-277V +/- 10%. Consult Factory for 90 CRI performances.

Multiplier for other Color Temp (K)

3000K	97%
3500K	100%
4000K	102%
5000K	103%



BW (INDIRECT ONLY)

Based on 4Ft. Module, 3500K, 80 CRI- BW diffuser-Signify LV6 LED Boards. Signify LV6 LED Boards

Lumens per Foot (LF)	Delivered Lumens (L)	System Watts (W)	Lumens per Watt (LPW)
400	1600	11.5	139
500	2000	14.4	139
625	2500	18.1	138
825	3300	24.4	135
900	3608	26.8	135
1200	4800	36.8	130

Actual performance may differ by +/- 5% when operating between 120V-277V +/- 10%. Consult Factory for 90 CRI performances.

Multiplier for other Color Temp (K)

3000K	97%
3500K	100%
4000K	102%
5000K	103%



MLS1.5

LINEAR LED ILLUMINATING SYSTEM
 SUSPENDED / SURFACE MOUNT / WALL MOUNT
 DIRECT ONLY / INDIRECT ONLY / DIRECT/INDIRECT



PERFORMANCE

HTA (DIRECT) / BW (INDIRECT)

Based on 4Ft. Module, 3500K, 80 CRI, HTA Direct Diffuser, BW Indirect Diffuser-Signify LV6 LED Boards

Direct Lumens Per Foot	Indirect Lumens Per FT	Direct/Indirect %	Delivered Lumens Total (L)	System Watts (W)	Lumens Per Watt (LPW)
400	400	50/50	3200	26.5	121
	500	45/55	3600	29.4	122
	625	40/60	4100	33.1	124
	825	35/65	4900	39.6	124
	950	30/70	5400	43.6	124
	1200	25/75	6400	51.9	123
500	400	55/45	3600	30.4	118
	500	50/50	4000	33.3	120
	625	45/55	4500	37.0	122
	825	40/60	5300	43.5	122
	950	35/65	5800	47.5	122
	1200	30/70	6800	55.8	122
625	400	60/40	4100	35.7	115
	500	55/45	4500	38.6	117
	625	50/50	5000	42.3	118
	825	45/55	5800	48.8	119
	950	40/60	6300	52.8	119
	1200	35/65	7300	61.1	119
825	400	70/30	4900	44.2	111
	500	60/40	5300	47.1	113
	625	55/45	5800	50.8	114
	825	50/50	6600	57.3	115
	950	45/55	7100	61.3	116
	1200	40/60	8100	69.6	116
960 MAX	400	70/30	5440	50.3	108
	500	65/35	5840	53.2	110
	625	60/40	6340	56.9	111
	825	55/45	7140	63.4	113
	950	50/50	7640	67.4	113
	1200	45/55	8640	75.7	114

Actual performance may differ by +/- 5% when operating between 120V-277V +/- 10%. Consult Factory for 90 CRI performances.

Multiplier for other Color Temp (K)

3000K	97%
3500K	100%
4000K	102%
5000K	103%



ASO (DIRECT) / BW (INDIRECT)

Based on 4Ft. Module, 3500K, 80 CRI, ASO Direct Diffuser, BW Indirect Diffuser-Signify LV5 LED Boards

Direct Lumens Per Foot	Indirect Lumens Per FT	Direct/Indirect %	Delivered Lumens Total (L)	System Watts (W)	Lumens Per Watt (LPW)
400	400	50/50	3200	33.5	96
	500	45/55	3600	36.4	99
	625	40/60	4100	40.1	102
	825	35/65	4900	46.6	105
	950	30/70	5400	50.6	107
	1200	25/75	6400	58.9	109
500	400	55/45	3600	39.7	91
	500	50/50	4000	42.6	94
	625	45/55	4500	46.3	97
	825	40/60	5300	52.8	100
	950	35/65	5800	56.8	102
	1200	30/70	6800	65.1	104
625	400	60/40	4100	47.4	86
	500	55/45	4500	50.3	89
	625	50/50	5000	54.0	93
	825	45/55	5800	60.5	96
	950	40/60	6300	64.5	98
	1200	35/65	7300	72.8	100

Actual performance may differ by +/- 5% when operating between 120V-277V +/- 10%. Consult Factory for 90 CRI performances.

Multiplier for other Color Temp (K)

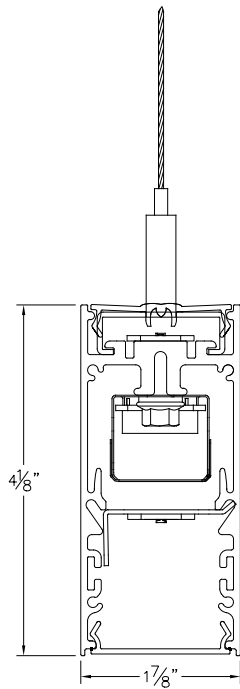
3000K	97%
3500K	100%
4000K	102%
5000K	103%



MLS1.5

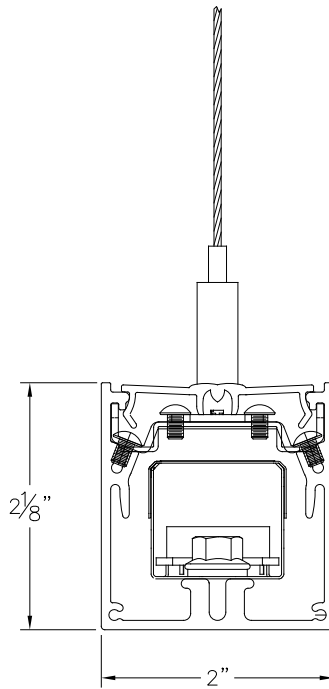
LINEAR LED ILLUMINATING SYSTEM
SUSPENDED / SURFACE MOUNT / WALL MOUNT
DIRECT ONLY / INDIRECT ONLY / DIRECT / INDIRECT

MOUNTING



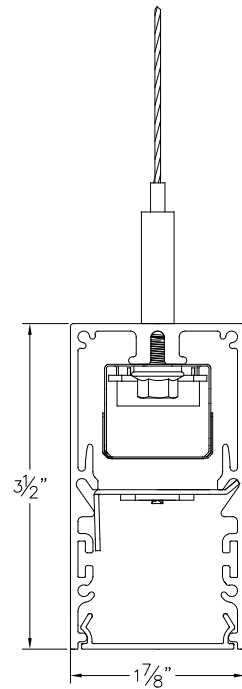
DI

Direct/ Indirect Suspended



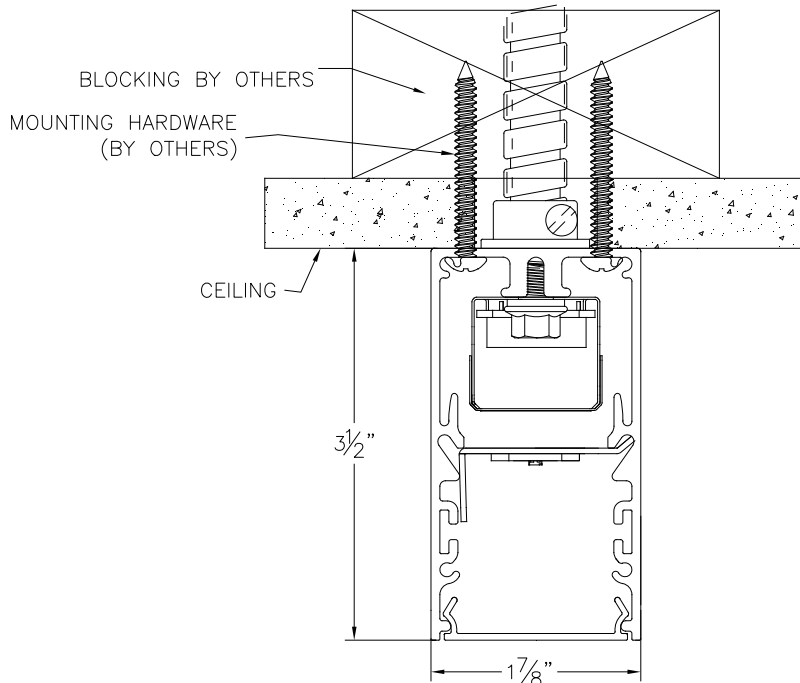
I

Indirect



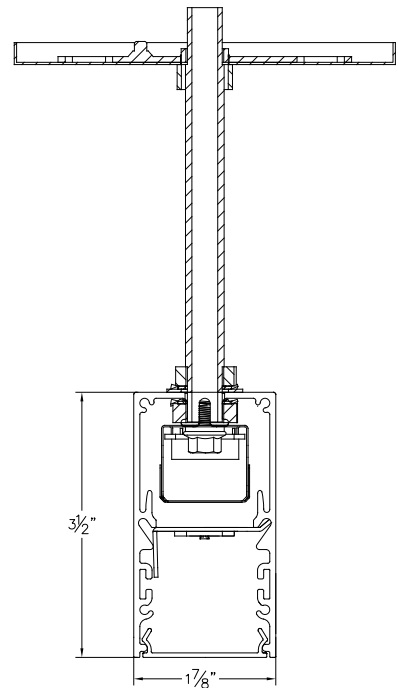
M

Suspended Cable Mount



MI

Surface Mount



M2

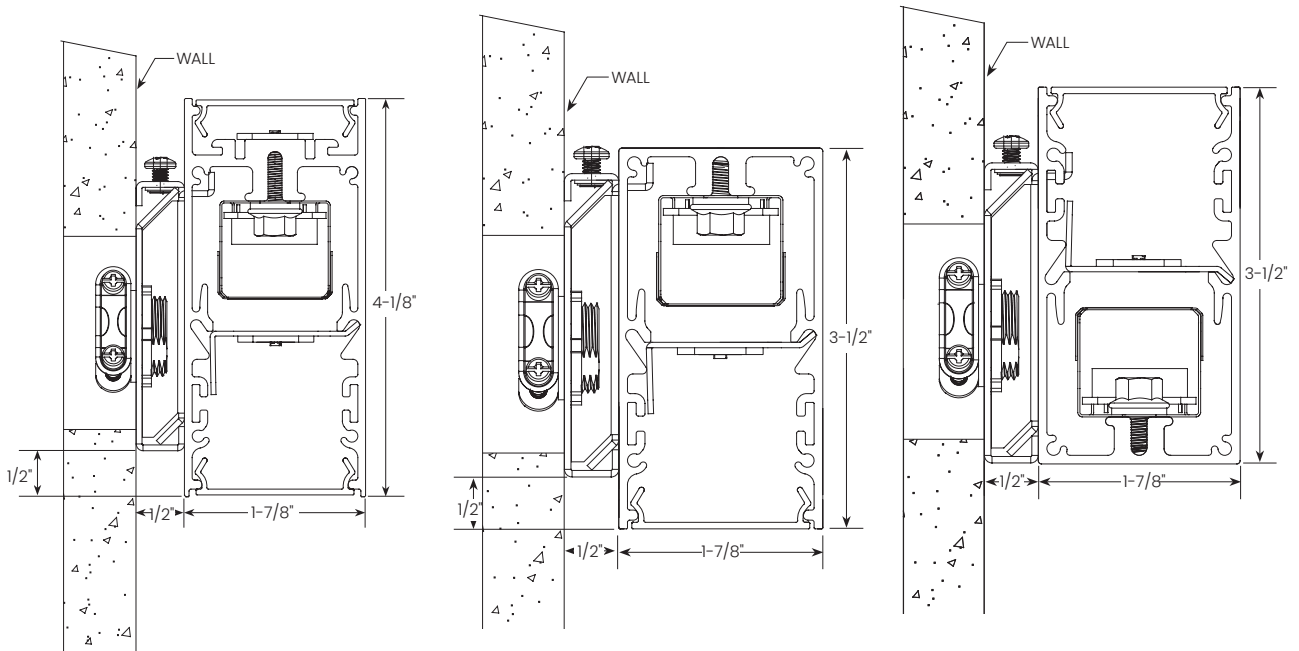
Suspended Stem Mount

MLS1.5

LINEAR LED ILLUMINATING SYSTEM
 SUSPENDED / SURFACE MOUNT / WALL MOUNT
 DIRECT ONLY / INDIRECT ONLY / DIRECT/INDIRECT



MOUNTING



WDI

Wall Mount Direct/ Indirect

WMD

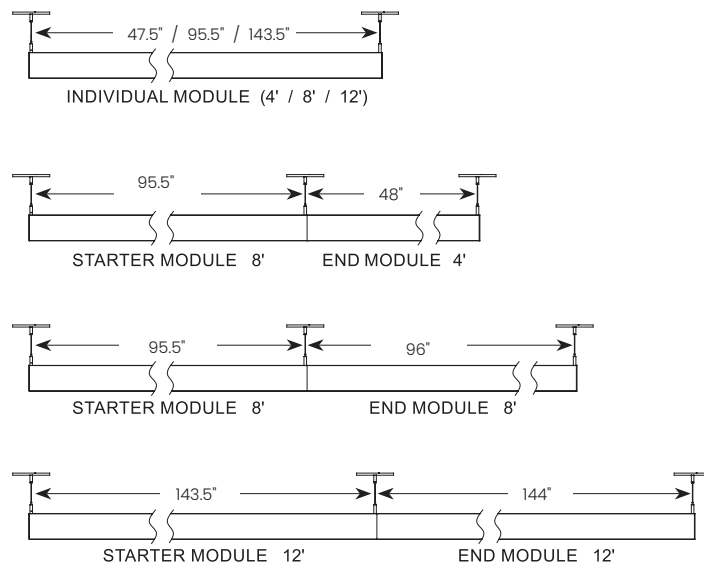
Wall Mount Direct

WMI

Wall Mount Indirect

For recessed options please visit the rest of the MLS1.5 family.

MOUNTING



Consult factory for additional row length information

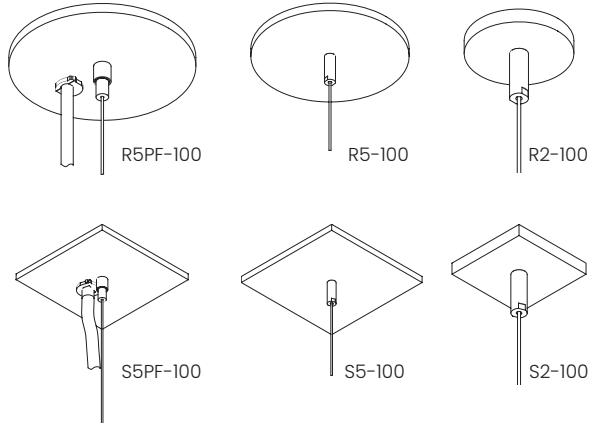
MLS1.5

LINEAR LED ILLUMINATING SYSTEM
 SUSPENDED / SURFACE MOUNT / WALL MOUNT
 DIRECT ONLY / INDIRECT ONLY / DIRECT/INDIRECT

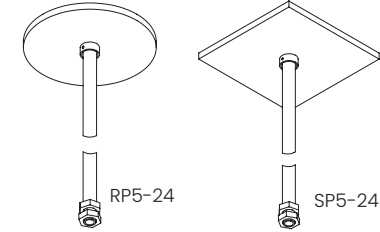


HANGING ACCESSORIES

CABLE SETS



STEM SETS



PART #	DESCRIPTION
R5PF-100	Round 5" power feed canopy, Hanging hardware, 100" long 1/16" cable.
R5-100	Round 5" canopy, Hanging hardware, 100" long 1/16" cable.
R2-100	Round 2" canopy, Hanging hardware, 100" long 1/16" cable.
S5PF-100	Round 2" canopy, Hanging hardware, 100" long 1/16" cable.
S5-100	Square 5" canopy, Hanging hardware, 100" long 1/16" cable.
S2-100	Square 2" canopy, Hanging hardware, 100" long 1/16" cable.
RP5-24	Round 5" canopy, Hanging hardware, 24" long 1/2" dia. stem.
SP5-24	Square 5" canopy, Hanging hardware, 24" long 1/2" dia. stem.

Other cable and stem lengths available. Consult factory.

MLS1.5

LINEAR LED ILLUMINATING SYSTEM
SUSPENDED / SURFACE MOUNT / WALL MOUNT
DIRECT ONLY / INDIRECT ONLY / DIRECT/INDIRECT



HOUSINGS

Extruded aluminum profile in a 0.080-inch wall thickness. Maximum length of each linear component is 12-ft. .060 aluminum ends are provided where needed at row termini. A one-piece 14GA galvanized steel joiner/aligner bracket is provided for each joint between housings. Internal cold-rolled steel components. Inconspicuous cable hanging brackets at the ends. Standard or custom hanging points are provided. A custom formulated non-glare matte-white polyester powder coating provides an extremely durable and long-lasting finish. Custom color finishes on request.

DIFFUSERS

Seamless fit diffusers. Flawless and consistent end-to-end fit.
HTA diffuser: extruded from custom formulated high transmission white acrylic material. Specify when the highest performance levels are required.
ASO diffuser: extruded from custom formulated smooth opal acrylic material. Specify when a more esthetically white appearance is desired.
Smooth finish on both diffusers compliments the architectural elements.
Standard direct diffuser: extruded from custom formulated high transmission white acrylic material. Allows maximum light transmission while eliminating pixilation and hot spots.
Optional direct diffuser: extruded from acrylic smooth opal material. Offers a more esthetically white appearance. Note: reduces performance by up to 25%.
Standard indirect diffuser: custom extruded batwing type that spreads the light in a very consistent and wide beam of illumination.
Additional options: 1/2", 3/4" and 1-1/2" drop style diffusers may be added to the direct position. May also be added to the indirect position as a pop-up diffuser.

LED MODULES

High performance linear configured LED module boards. Each board consists of multiple mid-power, high efficacy LEDs in a precise layout eliminating the need for supplemental heat sinking. The boards produce an even and diffuse light which maximizes optical efficiency. Compatible with the dimming performance of the LED driver. Color temperatures available 80 CRI: 3000K, 3500K and 4000K. Upon request: 5000K. Color temperatures available 90 CRI: 2700K, 3000K, 3500K and 4000K.

TUNABLE WHITE OPTION

Field tunable range 2700K through 6500K. 80CRI.

LED DRIVERS

Factory programmable constant current LED power supply. Multiple standard drive current outputs (factory set by Mercury) are cataloged with their corresponding lumens-per-foot offering. Upon request, custom drive current outputs and lumens-per-foot options are available. Note: Certain cataloged lumens-per-foot offerings may be provided with a non-programmable constant current LED power supply at Mercury's discretion. Contact factory if critical. Universal voltage input, 120V-277V, 50HZ-60HZ. Continuous dimming capability down to 1%-standard. 0.1% available upon request. Dim to Dark option available upon request. Sensor ready (SR) drivers compatible with most lighting controls are optional. Consult factory. Lutron drivers available: LDEI series.

STANDBY LIGHTING OPTIONS

Self-contained module, 10W or 12W as specified. Battery backup upon loss of power. Available in modules of 4-ft. and longer.

INTEGRAL LIGHTING CONTROLS

Various lighting controls and sensors are optional. Consult factory.

CORNERS

Standard 90 degree corners. Custom angled corners, crosses and T-sections. Consult factory.

INSTALLATIONS

Designed to be suspended on cables. Specify **M** Easy-connect cable hangers make installations easy. For direct surface mounting to most ceiling types, specify **MI** and consult factory. For stem mounting specify **M2** and consult factory. Lengths of 12-ft. and less to use one housing with two ends pre-installed. Lengths over 12-ft. will be engineered to job requirements using multiple housings with one end pre-installed at each row end. Lengths over 12-ft. will include appropriate job required quick-connect plug-thru wire harnesses and housing joiners. All individual modules or multiple module runs to include job required feed wire as specified. Standard or custom hanging points will be provided per job specifications.

CERTIFICATE OF SAFETY COMPLIANCE AND LISTINGS

Luminaire: UL and CUL listed 1598 and bears their label. Suitable for damp locations. Optional: Suitable for wet locations marking is available. Some limitations apply. Contact factory for all details.

LIGHTNING PROGRAM

Same quality product, shipped in 15 days or less (if drawings are required, 15 days or less starts after drawings are released). Entire order must qualify for [Lightning Program](#) in order to meet freight charges. Please contact our sales team if unsure your order will qualify. Options highlighted in Blue, 500 linear feet or less, are eligible for quick ship [Lightning Program](#). Relates to straight runs ONLY. Other variations not highlighted in blue may be available under [Lightning Program](#). Please consult factory. Specify LP-MLS1.5 when placing order if you would like to use [Lightning Program](#).

WARRANTY

5-year limited warranty is standard. Special 10-year warranty available on a job-to-job basis. Complete LED warranty terms available at www.mercltg.com. Actual performance may differ as a result of end-user environment and application. Most LED luminaires are suitable to operate in ambient temperatures from -20C (-4F) to 25C (77F). The following exclusions apply: Luminaires with optional standby lighting option, integral lighting controls options, or wireless control options. Consult factory. LM-79 testing was measured under a controlled 25C (77F) ambient operating temperature.