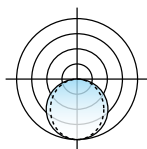


MLR3
REGRESSED LENS
SUSPENDED OR SURFACE MOUNT



FEATURES

- Extruded aluminum housing.
- Narrow 3" wide profile.
- Linear lengths of 2ft and above in increments of an inch.
- Custom formulated high diffusion extruded acrylic lens.
- Architecturally-pleasing 3/4" regression.
- Non-glare matte-white polyester powder coating finish.
- Cable or stem mount from ceiling, or direct surface mount.
- Cataloged standard or custom set lumens-per-foot performances.
- 80 CRI standard. 90 CRI available.
- Continuous dimming capability down to 1% on 0-10V controls.
- Fixture lumens per watt ratios up to 108.
- Standard and custom corners
- Tunable white feature optional.
- American Made.
- Lightning Program eligible (ships in 15 days or less): See ordering data for options.



Direct diffuser



PERFORMANCE - HTA

Based on 4ft. Module, 3500K, 80 CRI, HTA diffuser.
 Signify LV6 LED Boards.

Lumens per Foot (LF)	Delivered Lumens (L)	System Watts (W)	Lumens per Watt (LPW)
400	1600	14.8	108
500	2000	18.6	108
625	2500	23.5	106
825	3300	31.8	104
1000	4000	39.4	102

PERFORMANCE - ASO

Based on 4ft. Module, 3500K, 80 CRI, ASO diffuser.
 Signify LV6 LED Boards.

Lumens per Foot (LF)	Delivered Lumens (L)	System Watts (W)	Lumens per Watt (LPW)
400	1600	19.3	83
500	2000	24.6	81
750	3000	38.4	78

Actual performance may differ by +/- 5% when operating between 120V-277V +/- 10%. Consult Factory for 90 CRI performances.

Multiplier for other Color Temp (K)

3000K	97%
3500K	100%
4000K	102%
5000K	103%



Fixture type:	Job information:
<input type="text"/>	<input type="text"/>

MLR3

REGRESSED LENS

SUSPENDED OR SURFACE MOUNT



PRODUCT DEFINITION SHEET

All options highlighted in **BLUE** are eligible for **Lightning Program** (same quality product, shipped in 15 days or less)

Ex: **MLR3-M-144-Q18-760-35K-ASO-1%-U-EM12-WL**

1	2	3	4	5	6	7	8	9	10	11
---	---	---	---	---	---	---	---	---	----	----

1	2	3	4
SERIES	MOUNTING	LENGTH	SHAPE (ENTER LENGTH IN PRODUCT CODE ABOVE)
<input type="checkbox"/> MLR3 LightStreams 3 <input type="checkbox"/> LP-MLR3 Lightning Program	<input type="checkbox"/> M Suspended Cable Mount <input type="checkbox"/> M1 Surface Mount <input type="checkbox"/> M2 Suspended Stem Mount	<input type="checkbox"/> 48 48" Length <input type="checkbox"/> 96 96" Length <input type="checkbox"/> 144 144" Length Custom or Row Length. 24" and above in 1" increments. Ex. in inches: 82, 384, etc.	<input type="checkbox"/> S__ Individual/Straight Run Section (enter length, ex. S18) <input type="checkbox"/> Q__ Square Configuration (enter side length A, ex. Q18) <input type="checkbox"/> R__/_ Rectangular Configuration (enter side lengths A and B, ex. R12/24) <input type="checkbox"/> L__/_ L-Shaped Configuration (enter side lengths A and B, ex. L12/24) <input type="checkbox"/> U__/_/_ U-Shaped Configuration (enter side lengths A, B, and C, ex. U12/12/24)

All corners of shape must be 90°, same plane. Lengths greater than 8' consist of multiple individual housing sections joined together. Lengths are nominal and may vary based on lamping and other specification selections. Consult Mercury when exact lengths are required.

5	6	7	8	9
LUMENS/FT	COLOR TEMP-CCT	DIFFUSER	DRIVER	VOLTAGE
HTA <input type="checkbox"/> 400 <input type="checkbox"/> 500 <input type="checkbox"/> 625 <input type="checkbox"/> 825 <input type="checkbox"/> 1000 ASO <input type="checkbox"/> 400 <input type="checkbox"/> 500 <input type="checkbox"/> 750 Custom Lumen Packages.	80 CRI <input type="checkbox"/> 30K 3000K <input type="checkbox"/> 35K 3500K <input type="checkbox"/> 40K 4000K <input type="checkbox"/> 50K 5000K Upon request <input type="checkbox"/> TW Tunable White 2700K-6500K 90 CRI <input type="checkbox"/> 927K 2700K <input type="checkbox"/> 930K 3000K <input type="checkbox"/> 935K 3500K <input type="checkbox"/> 940K 4000K	<input type="checkbox"/> HTA High Transmission Acrylic <input type="checkbox"/> ASO Acrylic Smooth Opal (Performance is reduced with this diffuser)	<input type="checkbox"/> 1% 0-10V 1% Dimming <input type="checkbox"/> 1% DD 0-10% Dimming Dim to Dark <input type="checkbox"/> SR Sensor Ready (Required for Certain Controls, Contact Factory) <input type="checkbox"/> eL eldoLED Solo 0.1% <input type="checkbox"/> LDE1 Lutron Hi- Lume <input type="checkbox"/> - As Specified	<input type="checkbox"/> U Uni 120-277V <input type="checkbox"/> 1 120V <input type="checkbox"/> 7 277V Please verify at the time of release if 120V or 277V is required. Although drivers are universal voltage, a specific voltage is required to determine amp draw as well as voltage specific flexes and/or plug thrus as needed.

OPTIONS

10	11
STANDBY MODULES	MISC.
<input type="checkbox"/> EM10 Emergency Battery 10W <input type="checkbox"/> EM12 Emergency Battery 12W <input type="checkbox"/> NO OPTION	<input type="checkbox"/> WL UL "Suitable for Wet Locations" labeled <input type="checkbox"/> BAA/BABA Consult factory.

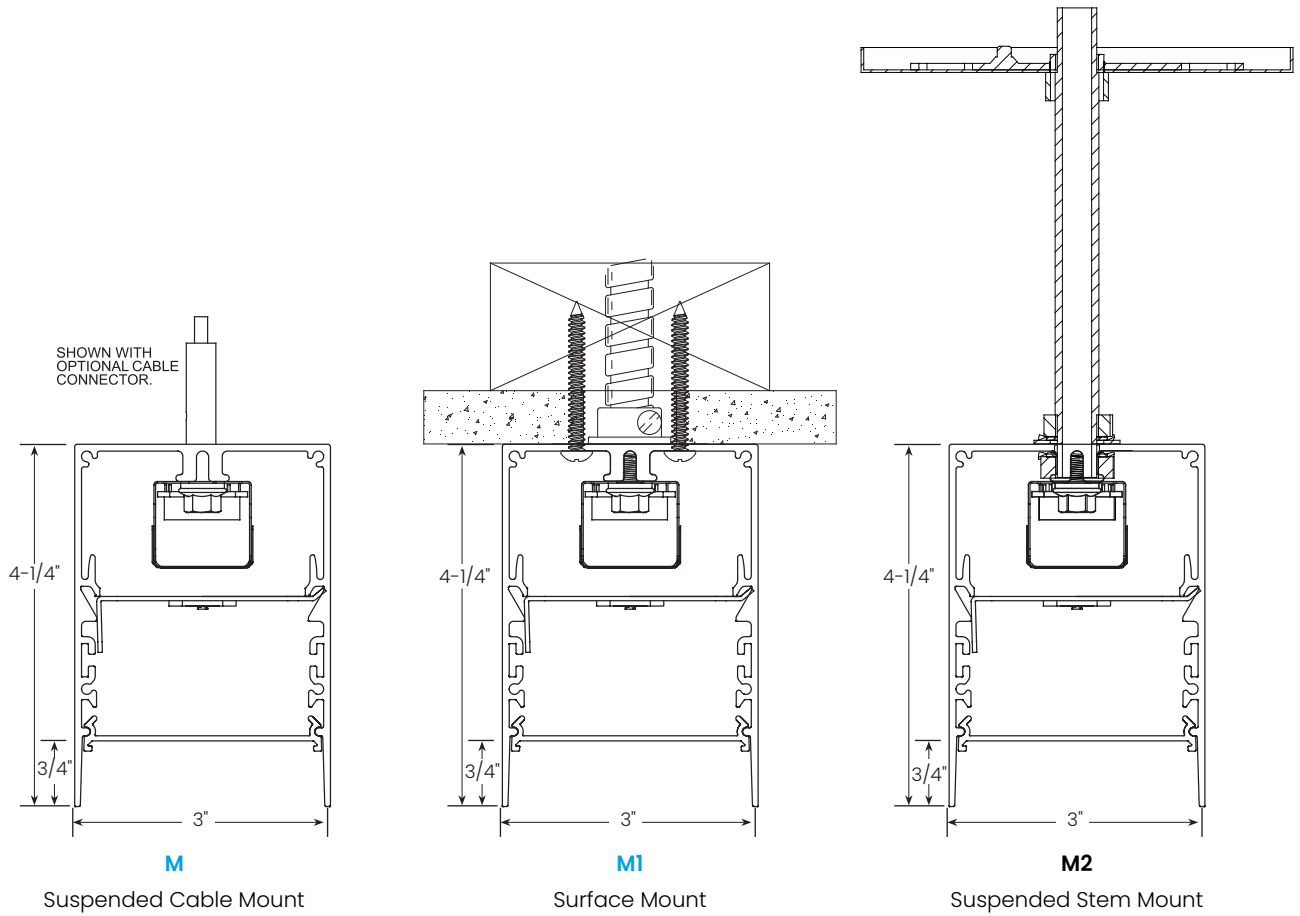
Available in modules of 4-ft. and longer.

CUSTOM HANGING POINTS	CUSTOM PAINT COLORS
<input type="checkbox"/> As Specified	<input type="checkbox"/> As Specified

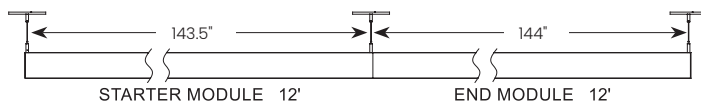
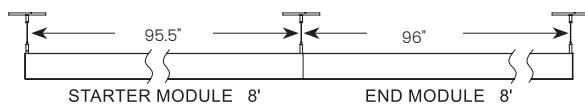
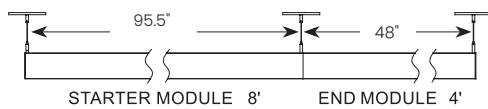
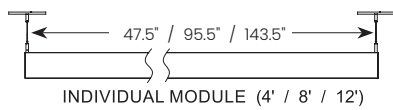
MLR3

REGRESSED LENS
SUSPENDED OR SURFACE MOUNT

MOUNTING

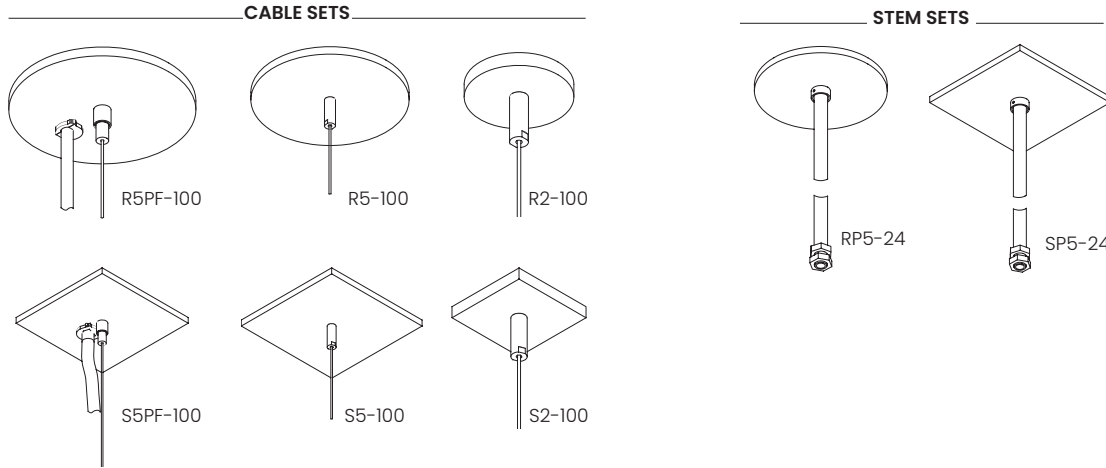


For recessed options please visit the rest of the MLR3 family.



Consult factory for additional row length information

HANGING ACCESSORIES

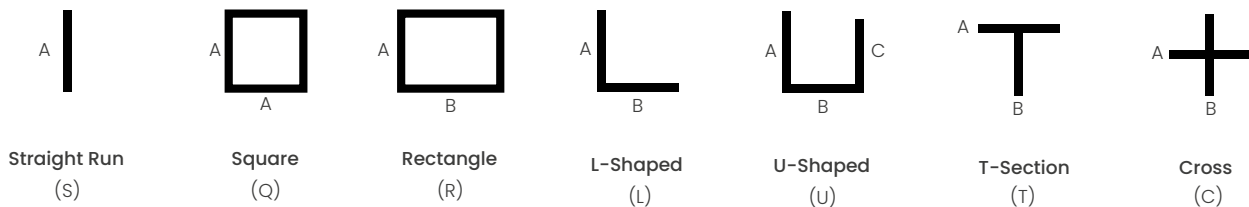


PART #	DESCRIPTION
R5PF-100	Round 5" power feed canopy, Hanging hardware, 100" long 1/16" cable.
R5-100	Round 5" canopy, Hanging hardware, 100" long 1/16" cable.
R2-100	Round 2" canopy, Hanging hardware, 100" long 1/16" cable.
S5PF-100	Round 2" canopy, Hanging hardware, 100" long 1/16" cable.
S5-100	Square 5" canopy, Hanging hardware, 100" long 1/16" cable.
S2-100	Square 2" canopy, Hanging hardware, 100" long 1/16" cable.
RP5-24	Round 5" canopy, Hanging hardware, 24" long 1/2" dia. stem.
SP5-24	Square 5" canopy, Hanging hardware, 24" long 1/2" dia. stem.

Other cable and stem lengths available. Consult factory.

SHAPES/PATTERNS

For other shapes/patterns/runs consult the factory.



MLR3

REGRESSED LENS SUSPENDED OR SURFACE MOUNT



HOUSINGS

Extruded aluminum profile in a 0.080-inch wall thickness. Maximum length of each linear component is 12-ft. .060 aluminum ends are provided where needed at row termini. A one-piece 14GA galvanized steel joiner/aligner bracket is provided for each joint between housings. Internal cold-rolled steel components. Standard or custom hanging points are provided. A custom formulated non-glare matte-white polyester powder coating provides an extremely durable and long-lasting finish. Custom color finishes on request.

DIFFUSERS

Seamless fit diffusers. Flawless and consistent end-to-end fit. **HTA diffuser:** extruded from custom formulated high transmission white acrylic material. Specify when the highest performance levels are required. **ASO diffuser:** extruded from custom formulated smooth opal acrylic material. Specify when a more esthetically white appearance is desired. Allows maximum light transmission while eliminating pixilation and hot spots. Smooth finish compliments the architectural elements.

LED MODULES

High performance linear configured LED module boards. Each board consists of multiple mid-power, high efficacy LEDs in a precise layout eliminating the need for supplemental heat sinking. The boards produce an even and diffuse light which maximizes optical efficiency. Compatible with the dimming performance of the LED driver. Color temperatures available 80 CRI: 3000K, 3500K and 4000K. Upon request: 5000K. Color temperatures available 90 CRI: 2700K, 3000K, 3500K and 4000K.

TUNABLE WHITE OPTION

Field tunable range 2700K through 6500K. 80CRI.

LED DRIVERS

Factory programmable constant current LED power supply. Multiple standard drive current outputs (factory set by Mercury) are cataloged with their corresponding lumens per-foot offering. Upon request, custom drive current outputs and lumens-per-foot options are available. Note: Certain cataloged lumens-per-foot offerings may be provided with a non-programmable constant current LED power supply at Mercury's discretion. Contact factory if critical. Universal voltage input, 120V-277V, 50HZ-60HZ. Specification grade continuous dimming capability down to 1% on 0-10V dimming controls. Continuous dimming capability down to 1%-standard. 0.1% available upon request. Dim to Dark option available upon request. Sensor ready (SR) drivers compatible with most lighting controls are optional. Consult factory. Lutron driver available: LDE1 series.

STANDBY LIGHTING OPTIONS

Self-contained module, 10W or 12W as specified. Battery backup upon loss of power. Available in modules of 4-ft. and longer.

CORNERS

Standard 90 degree corners. Custom angled corners.

INSTALLATIONS

Designed to be suspended on cables. Specify **M** For direct surface mounting to most ceiling types, specify **M1** and consult factory. For stem mounting specify **M2** and consult factory. Lengths of 12-ft. and less to use one housing with two ends pre-installed. Lengths over 12-ft. will be engineered to job requirements using multiple housings with one end pre-installed at each row end. Lengths over 12-ft. will include appropriate job required quick-connect plug-thru wire harnesses and housing joiners. All individual modules or multiple modules runs to include job required feed wire as specified. Standard or custom hanging points will be provided per job specifications.

CERTIFICATE OF SAFETY COMPLIANCE AND LISTINGS

Luminaire: UL and CUL listed 1598 and bears their label. Suitable for damp locations. Optional: Suitable for wet locations marking is available. Some limitations apply. Contact factory for all details.

LIGHTNING PROGRAM

Same quality product, shipped in 15 days or less (if drawings are required, 15 days or less starts after drawings are released). Entire order must qualify for [Lightning Program](#) in order to meet freight charges. Please contact our sales team if unsure your order will qualify. Options highlighted in Blue, 500 linear feet or less, are eligible for quick ship [Lightning Program](#). Relates to straight runs ONLY. Other variations not highlighted in blue may be available under [Lightning Program](#). Please consult factory. Specify [LP-MLR3](#) when placing order if you would like to use [Lightning Program](#).

WARRANTY

5-year limited warranty is standard. Special 10-year warranty available on a job-to-job basis. Complete LED warranty terms available at www.mercltg.com. Actual performance may differ as a result of end-user environment and application. Most LED luminaires are suitable to operate in ambient temperatures from -20C (-4F) to 25C (77F). The following exclusions apply: Luminaires with standby lighting option, integral lighting controls options, or wireless control options. Consult factory. LM-79 testing was measured under a controlled 25C (77F) ambient operating temperature.