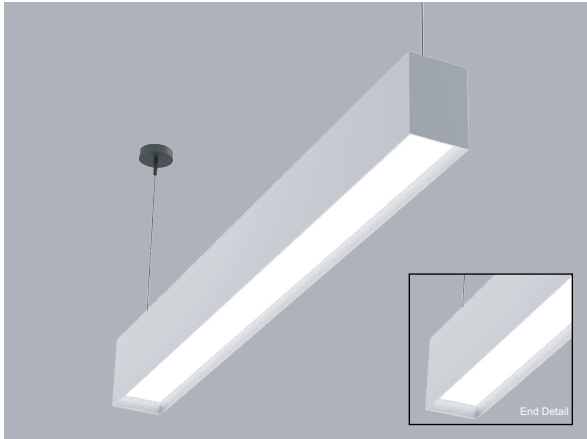


MLR3 PoE SERIES

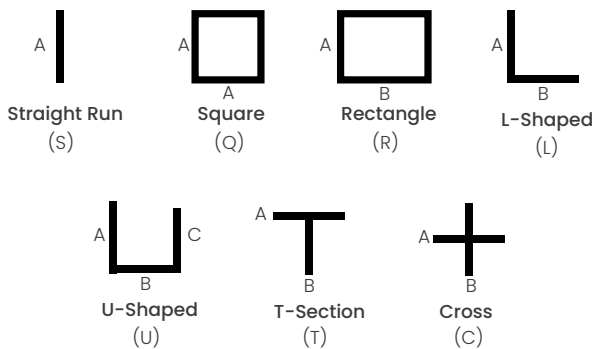
**REGRESSED LENS
SUSPENDED OR SURFACE MOUNT**



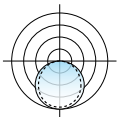
FEATURES

- Power over Ethernet (PoE) enabled as Molex CoreSync.
- Tunable white feature for PoE system.
- Extruded aluminum housing for perfectly straight lines of light.
- Narrow 3-inch wide profile.
- Linear lengths; 2-ft. and above in increments of one-inch.
- Architecturally-pleasing 3/4" regression.
- Non-glare matte-white polyester powder coating finish.
- Custom formulated high diffusion extruded acrylic lens.
- Cable or stem mount from ceiling, or direct surface mount.
- Cataloged standard or custom set lumens-per-foot performances.
- 80 CRI standard. 90 CRI available.
- Fixture lumens per watt ratios up to 108.
- Standard and custom corners.
- American Made.

SHAPES/PATTERNS



For other shapes/patterns/runs consult the factory.



molex

PERFORMANCE - HTA

Based on 4ft. Module, 3500K, 80 CRI, HTA Diffuser

Lumens per Foot (LF)	Delivered Lumens (L)	System Watts (W)	Lumens per Watt (LPW)
400	1600	14.8	108
500	2000	18.7	107
625	2500	23.7	105
825	3300	32.4	102
1030	4120	41.9	98

Actual performance may differ by +/- 5% when operating between 12V-42VDC.

Multiplier for other Color Temp (k)
 3000K 97%
 3500K 100%
 4000K 102%
 5000K 103%



PERFORMANCE - ASO

Based on 4ft. Module, 3500K, 80 CRI, ASO Diffuser

Lumens per Foot (LF)	Delivered Lumens (L)	System Watts (W)	Lumens per Watt (LPW)
400	1600	20.1	80
500	2000	25.7	78
760	3040	41.2	74

Actual performance may differ by +/- 5% when operating between 12V-42VDC.

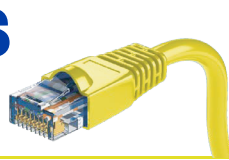
Multiplier for other Color Temp (k)
 3000K 97%
 3500K 100%
 4000K 102%
 5000K 103%



Fixture type:	Job information:
<input type="text"/>	<input type="text"/>

MLR3 PoE SERIES

REGRESSED LENS
SUSPENDED OR SURFACE MOUNT



MERCURY
Lighting Progress

PRODUCT DEFINITION SHEET

Ex: **MLR3-M-144-S18-625-35K-40VDC-HTA-180996-XXXX-250-300mA-CORESM-00350-BABA**

1	2	3	4	5	6	7	8	9	10	11
---	---	---	---	---	---	---	---	---	----	----

1	2	3	4
SERIES	MOUNTING	LENGTH	SHAPE (ENTER LENGTH IN PRODUCT CODE ABOVE)
<input type="checkbox"/> MLR3 LightStreams 3	<input type="checkbox"/> M Suspended Cable Mount <input type="checkbox"/> M1 Surface Mount <input type="checkbox"/> M2 Suspended Stem Mount	<input type="checkbox"/> 48 48" Length <input type="checkbox"/> 96 96" Length <input type="checkbox"/> 144 144" Length Custom or Row Length. 24" and above in 1" increments. Ex. in inches: 82, 384, etc.	<input type="checkbox"/> S__ Individual/Straight Run Section (enter length, ex. S18) <input type="checkbox"/> Q__ Square Configuration (enter side length A, ex: Q18) <input type="checkbox"/> R__/_ Rectangular Configuration (enter side lengths A and B, ex. R12/24) <input type="checkbox"/> L__/_ L-Shaped Configuration (enter side lengths A and B, ex. L12/24) <input type="checkbox"/> U__/_/_ U-Shaped Configuration (enter side lengths A, B, and C, ex. U12/12/24) <input type="checkbox"/> T__/_ T-Section (enter side lengths A and B, ex. T12/24) <input type="checkbox"/> C__/_ Cross Configuration (enter side lengths A and B, ex. C12/24)

All corners of shape must be 90°, same plane. Lengths greater than 8' consist of multiple individual housing sections joined together. Lengths are nominal and may vary based on lamping and other specification selections. Consult Mercury when exact lengths are required. Consult factory for corners other than 90°

5	6	7	8	9
LUMENS/FT	COLOR TEMP-CCT	LED FORWARD VOLTAGE	DIFFUSER	MOLEX DRIVER
HTA <input type="checkbox"/> 400 <input type="checkbox"/> 500 <input type="checkbox"/> 625 <input type="checkbox"/> 825 <input type="checkbox"/> 1030 ASO <input type="checkbox"/> 400 <input type="checkbox"/> 500 <input type="checkbox"/> 760 Custom Lumen Packages.	80 CRI <input type="checkbox"/> 30K 3000K <input type="checkbox"/> 35K 3500K <input type="checkbox"/> 40K 4000K <input type="checkbox"/> 50K 5000K Upon request <input type="checkbox"/> TW Tunable White 2700K-6500K 90 CRI <input type="checkbox"/> 927K 2700K <input type="checkbox"/> 930K 3000K <input type="checkbox"/> 935K 3500K <input type="checkbox"/> 940K 4000K	<input type="checkbox"/> 40VDC	<input type="checkbox"/> HTA High Transmission Acrylic <input type="checkbox"/> ASO Acrylic Smooth Opal	SINGLE CHANNEL <input type="checkbox"/> 180996-XXXX-250-300mA <input type="checkbox"/> 180996-XXXX-300-350mA <input type="checkbox"/> 180996-XXXX-360-500mA <input type="checkbox"/> 180996-XXXX-510-700mA <input type="checkbox"/> 180996-XXXX-710-880mA <input type="checkbox"/> 180996-XXXX-890-1050mA DUAL CHANNEL <input type="checkbox"/> 180996-XXXX-300-350mA <input type="checkbox"/> 180996-XXXX-360-500mA <input type="checkbox"/> 180996-XXXX-510-700mA <input type="checkbox"/> 180996-XXXX-710-880mA <input type="checkbox"/> 180996-XXXX-890-1050mA

OPTIONS

10	11
EMERGENCY LIGHTING	MISC.
<input type="checkbox"/> CORESM-00350 <input type="checkbox"/> CORESM-00500 <input type="checkbox"/> CORESM-00700 <input type="checkbox"/> CORESM-01050 <input type="checkbox"/> CORESM-00880	<input type="checkbox"/> WL UL "Suitable for Wet Locations" labeled. <input type="checkbox"/> BABA Consult factory
CUSTOM HANGING POINTS	CUSTOM PAINT COLORS
<input type="checkbox"/> As Specified	<input type="checkbox"/> As Specified

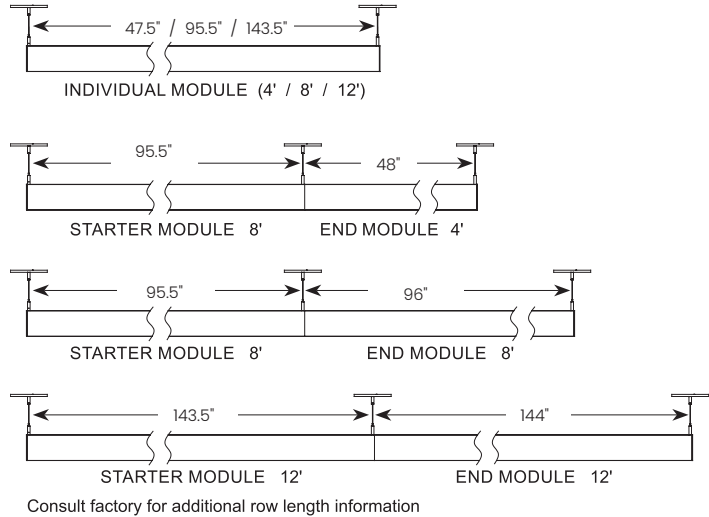
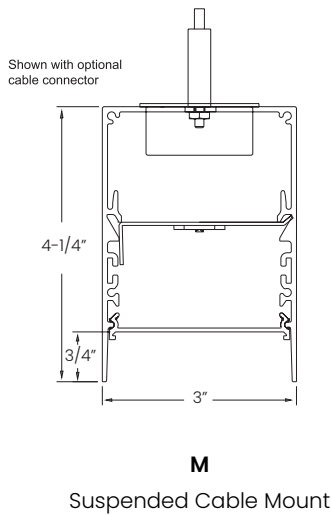
MLR3 PoE SERIES

REGRESSED LENS
SUSPENDED OR SURFACE MOUNT

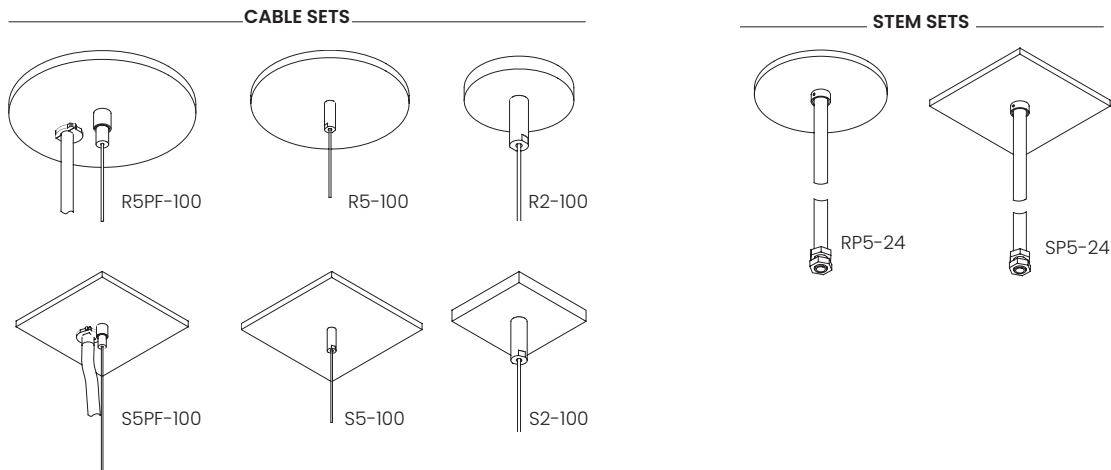


MOUNTING

For recessed options please visit the rest of the MLR3 family.



HANGING ACCESSORIES



PART #	DESCRIPTION
R5PF-100	Round 5" power feed canopy, Hanging hardware, 100" long 1/16" cable.
R5-100	Round 5" canopy, Hanging hardware, 100" long 1/16" cable.
R2-100	Round 2" canopy, Hanging hardware, 100" long 1/16" cable.
S5PF-100	Round 2" canopy, Hanging hardware, 100" long 1/16" cable.
S5-100	Square 5" canopy, Hanging hardware, 100" long 1/16" cable.
S2-100	Square 2" canopy, Hanging hardware, 100" long 1/16" cable.
RP5-24	Round 5" canopy, Hanging hardware, 24" long 1/2" dia. stem.
SP5-24	Square 5" canopy, Hanging hardware, 24" long 1/2" dia. stem.

Other cable and stem lengths available. Consult factory.

MLR3 PoE SERIES

REGRESSED LENS SUSPENDED OR SURFACE MOUNT



HOUSINGS

Extruded aluminum profile in a 0.080-inch wall thickness. Maximum length of each linear component is 12-ft. .060 aluminum ends are provided where needed at row termini. A one-piece 14GA galvanized steel joiner/aligner bracket is provided for each joint between housings. Internal cold-rolled steel components. Standard or custom hanging points are provided. A custom formulated non-glare matte-white polyester powder coating provides an extremely durable and long-lasting finish. Custom color finishes on request.

DIFFUSERS

Seamless fit diffusers. Flawless and consistent end-to-end fit.
HTA Diffuser: extruded from custom formulated high transmission white acrylic material. Specify when the highest performance levels are required.
ASO Diffuser: extruded from custom formulated acrylic smooth opal material. Specify when a more esthetically white appearance is desired.
Allows maximum light transmission while eliminating pixilation and hot spots.
Smooth finish compliments the architectural elements.

LED MODULES

High performance linear configured LED module boards. Each board consists of multiple mid-power, high efficacy LEDs in a precise layout eliminating the need for supplemental heat sinking. The boards produce an even and diffuse light which maximizes optical efficiency. Compatible with the dimming performance of the LED driver. Color temperatures available 80 CRI: 3000K, 3500K and 4000K. Upon request: 5000K. Color temperatures available 90 CRI: 2700K, 3000K, 3500K and 4000K.

TUNABLE WHITE OPTION

Field tunable range 2700K through 6500K. 80CRI.

PoE DRIVERS

UL 2108 Listed.
Plenum Rated.
LED output voltage range 12-42VDC.
Class 2 rated electrical device.
Available in both single channel and dual channel.
Efficiency: 92% (typical) at 52VDC input, full load.
Constant Current accuracy +/- 3%.
Ambient temperature: 0 to 40°C (32 to 104°F).
Storage temperature: -40 to 85°C (-40 to 185°F).
Max case temperature: 75°C (167°F).
Environmental rating: Indoor.

DIMMING PERFORMANCE - PoE DRIVER

Dimming: PWM
Dimming type: Linear
Dimming frequency: 500Hz
Dimming range: 1-100%

CORESNC EMERGENCY LIGHTING BYPASS

UL 924 Compliant, Indoor Rated.
Ambient operating temperature 0-40C (32-104F).

ELECTRICAL - ELB

EM input: 110-277 VAC.
Output: 12-42 VDC up to 1050MA.
Standby Power: 1W.

MOLEX- PoE DRIVER

The Molex CoreSync Programmable Smart LED Driver is a compact low voltage, DC/DC LED driver that can be programmed to specific power outputs, for driving Constant Current LED engines in a wide variety of light fixtures. Controlled, powered and integrated with a Molex CoreSync PoE Gateway. This DC system provides 71.3 usable watts at the powered device, it operates at 52 VDC and has an amperage allowance 1.73 amps. Using this product gives the end user the option of making their building a smart building combining IT and OT to one platform, while being able to control but not limited to cameras, shades, occupancy, traffic patterns and DLH.

OPERATION - ELB

In the event of a power failure, PoE power source failure or disconnection of cabling, the module will bypass normal PoE control and activate the emergency power source. The fixture will power to full brightness and return to normal operation once the emergency has been cleared.

CORNERS

Standard 90 degree corners. Custom angled corners.

INSTALLATIONS

Designed to be suspended on cables. Specify **M** For direct surface mounting to most ceiling types, specify **MI** and consult factory. For stem mounting specify **M2** and consult factory. Lengths of 12-ft. and less to use one housing with two ends pre-installed. Lengths over 12-ft. will be engineered to job requirements using multiple housings with one end pre installed at each row end. Lengths over 12-ft. will include appropriate job required quick-connect plug-thru wire harnesses and housing joiners. All individual modules or multiple module runs to include job required feed wire as specified. Standard or custom hanging points will be provided per job specifications.

CERTIFICATE OF SAFETY COMPLIANCE AND LISTINGS

Luminaire: UL and CUL listed 1598 and bears their label. Suitable for damp locations.
Optional: Suitable for wet locations marking is available. Some limitations apply. Contact factory for all details.

WARRANTY

5-year limited warranty is standard. Special 10-year warranty available on a job-to-job basis. Complete LED warranty terms available at www.mercltg.com
Actual performance may differ as a result of end-user environment and application.
Most LED luminaires are suitable to operate in ambient temperatures from -20C (-4F) to 25C (77F).
The following exclusions apply: Luminaires with standby lighting option, integral lighting controls options, or wireless control options. Consult factory.
LM-79 testing was measured under a controlled 25C (77F) ambient operating temperature.