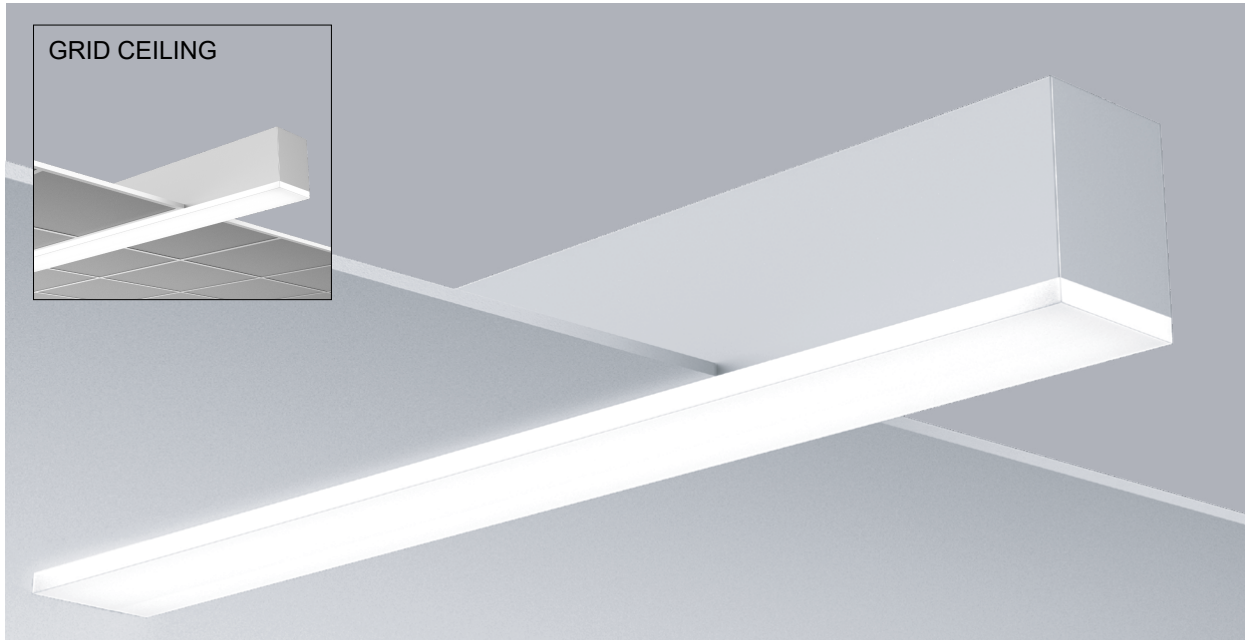
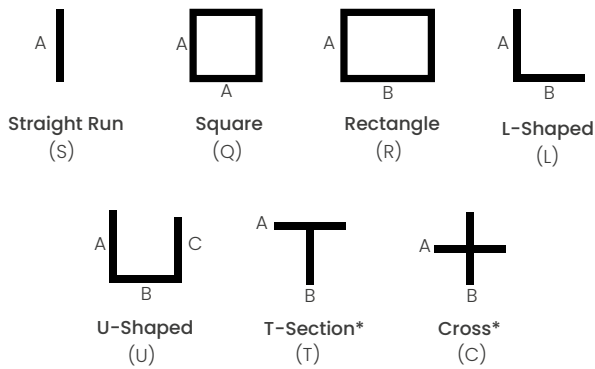


# MLD3

**DROP OR FLAT LENS  
 RECESSED MOUNT FOR DRYWALL & GRID CEILINGS**



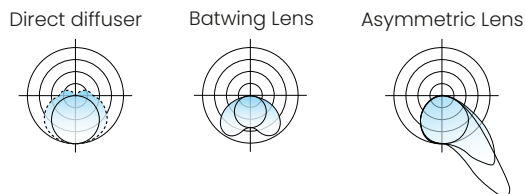
### SHAPES/PATTERNS



\*Please consult factory to confirm design and layout will comply with specified ceiling  
 For other shapes/patterns/runs consult the factory.

### FEATURES

- Extruded aluminum housing.
- Narrow 3" wide profile.
- Linear lengths of 2-ft and above in increments of one-inch.
- Custom formulated high diffusion extruded acrylic lens.
- Featured lens is a 1/2-inch drop style.
- Optional: 1-inch or 1-1/2-inch drop lens.
- Optional: flat style lens.
- Non-glare matte-white polyester powder coating finish.
- Recessed for various ceiling types.
- Cataloged standard or custom set lumens-per-foot performances.
- 80 CRI standard. 90 CRI available.
- Continuous dimming capability down to 1% on 0-10V controls.
- IC rated.
- CCEA option available.
- Fixture lumens per watt ratios up to 145.
- Tunable white feature optional.
- Standard and custom corners
- American Made.
- Lightning Program eligible (ships in 15 days or less): See ordering data for options.



Fixture type:

Job information:

--	--

# MLD3

## DROP OR FLAT LENS RECESSED MOUNT FOR DRYWALL & GRID CEILINGS



### PRODUCT DEFINITION SHEET

All options highlighted in **BLUE** are eligible for **Lightning Program** (same quality product, shipped in 15 days or less)

Ex: **MLD3-N5-144-Q18-985-35K-A05-1-U-EM12-BABA-SR-AU**

1	2	3	4	5	6	7	8	9	10	11	12	13
---	---	---	---	---	---	---	---	---	----	----	----	----

1	2	3	4
<b>SERIES</b>	<b>MOUNTING</b>	<b>LENGTH</b>	<b>SHAPE (ENTER LENGTH IN PRODUCT CODE ABOVE)</b>
<input type="checkbox"/> <b>MLD3</b> LightStreams 3  <input type="checkbox"/> <b>LP-MLD3</b> Lightning Program	<input type="checkbox"/> <b>N5</b> Trimless 5/8"  <input type="checkbox"/> <b>N1</b> Trimless 1/2"  <input type="checkbox"/> <b>F</b> Flange Trim for drywall  <input type="checkbox"/> <b>G9</b> Grid 9/16" flat T grid  <input type="checkbox"/> <b>G15</b> Grid 15/16" flat T grid  <input type="checkbox"/> <b>S</b> Screw Slot  <input type="checkbox"/> <b>SI</b> 9/16" Interlude  <input type="checkbox"/> <b>T9</b> 9/16" Tegular  <input type="checkbox"/> <b>T15</b> 15/16" Tegular	<input type="checkbox"/> <b>48</b> 48" Length  <input type="checkbox"/> <b>96</b> 96" Length  <input type="checkbox"/> <b>144</b> 144" Length  Custom or Row Length. 24" and above in 1" increments. Ex. in inches: 82, 384, etc.	<input type="checkbox"/> <b>S__</b> Individual/Straight Run Section (enter length, ex. S18) <input type="checkbox"/> <b>Q__</b> Square Configuration (enter side length A, ex. Q18) <input type="checkbox"/> <b>R_/_/</b> Rectangular Configuration (enter side lengths A and B, ex. R12/24) <input type="checkbox"/> <b>L_/_/</b> L-Shaped Configuration (enter side lengths A and B, ex. L12/24) <input type="checkbox"/> <b>U_/_/_/_/</b> U-Shaped Configuration (enter side lengths A, B, and C, ex. U12/12/24) <input type="checkbox"/> <b>T_/_/_</b> T-Section* (enter side lengths A and B, ex. T12/24) <input type="checkbox"/> <b>C_/_/_</b> Cross Configuration* (enter side lengths A and B, ex. C12/24)

All corners of shape must be 90°, same plane. Lengths greater than 8' consist of multiple individual housing sections joined together. Lengths are nominal and may vary based on lamping and other specification selections. Consult Mercury when exact lengths are required. Consult factory for corners other than 90° \*Please consult factory to confirm design and layout will comply with specified ceiling

5	6	7	8	9
<b>LUMENS/FT</b>	<b>COLOR TEMP-CCT</b>	<b>DIFFUSER</b>	<b>DRIVER</b>	<b>VOLTAGE</b>
Custom Lumen Packages. <b>A05</b> <input type="checkbox"/> <b>400</b> <input type="checkbox"/> <b>500</b> <input type="checkbox"/> <b>625</b> <input type="checkbox"/> <b>985</b>  <b>A10</b> <input type="checkbox"/> <b>400</b> <input type="checkbox"/> <b>500</b> <input type="checkbox"/> <b>625</b> <input type="checkbox"/> <b>985</b>  <b>A10</b> <input type="checkbox"/> <b>400</b> <input type="checkbox"/> <b>500</b> <input type="checkbox"/> <b>625</b> <input type="checkbox"/> <b>1050</b>	<b>80 CRI</b> <input type="checkbox"/> <b>30K</b> 3000K <input type="checkbox"/> <b>35K</b> 3500K <input type="checkbox"/> <b>40K</b> 4000K <input type="checkbox"/> <b>50K</b> 5000K Upon request  <input type="checkbox"/> <b>TW</b> Tunable White 2700K-6500K  <b>90 CRI</b> <input type="checkbox"/> <b>927K</b> 2700K <input type="checkbox"/> <b>930K</b> 3000K <input type="checkbox"/> <b>935K</b> 3500K <input type="checkbox"/> <b>940K</b> 4000K	<input type="checkbox"/> <b>A05</b> 1/2" Drop  <input type="checkbox"/> <b>A10</b> 1" Drop  <input type="checkbox"/> <b>A15</b> 1-1/2" Drop  <input type="checkbox"/> <b>ASO</b> Flat  <input type="checkbox"/> <b>ASYM</b> Asymmetric  <input type="checkbox"/> <b>BW</b> Batwing Distribution	<input type="checkbox"/> <b>1</b> 0-10V 1% Dimming  <input type="checkbox"/> <b>1DD</b> 0-10% Dimming Dim to Dark  <input type="checkbox"/> <b>eL</b> eLdoLED Solo 0.1%  <input type="checkbox"/> <b>LDE1</b> Lutron Hi- Lume  <input type="checkbox"/> - As Specified	<input type="checkbox"/> <b>U</b> Uni 120-277V  <input type="checkbox"/> <b>1</b> 120V  <input type="checkbox"/> <b>7</b> 277V  Please verify at the time of release if 120V or 277V is required. Although drivers are universal voltage, a specific voltage is required to determine amp draw as well as voltage specific flexes and/or plug thrus as needed.

10	11	12	13
<b>STANDBY MODULES</b>	<b>MISC.</b>	<b>SENSOR READY</b>	<b>LIGHTING CONTROLS</b>
<input type="checkbox"/> <b>EM10</b> Emergency Battery 10W  <input type="checkbox"/> <b>EM12</b> Emergency Battery 12W  <input type="checkbox"/> <b>NO OPTION</b>  Available in modules of 4-ft. and longer.	<input type="checkbox"/> <b>WL</b> UL "Suitable for Wet Locations" labeled.  <input type="checkbox"/> <b>CCEA</b> Meets the City of Chicago Environmental Air specifications.  <input type="checkbox"/> <b>BABA</b> Consult factory.	<input type="checkbox"/> <b>SR</b> Sensor Ready  Required for Certain Controls, Contact Mercury Lighting	<input type="checkbox"/> <b>AU</b> Autani <input type="checkbox"/> <b>AVI</b> Avi-On <input type="checkbox"/> <b>CA</b> Casambi <input type="checkbox"/> <b>LV</b> Leviton <input type="checkbox"/> <b>LT</b> Lutron <input type="checkbox"/> <b>NL</b> nLight <input type="checkbox"/> <b>PS</b> Philips/Signify <input type="checkbox"/> <b>WA</b> Wattstopper <input type="checkbox"/> <b>CU</b> Current nx <input type="checkbox"/> <b>NO</b> No option

As Specified

Consult Mercury Lighting for further information and other options.

Mercury should be notified if the controls are to be Wireless, Networked Lighting Controls, 0-10v Dimming, DMX, etc.

If controls aren't specified, the fixture ships 0-10V, 1% dimming, unified D/I control.

# MLD3

## DROP OR FLAT LENS

### RECESSED MOUNT FOR DRYWALL & GRID CEILINGS



#### PERFORMANCE

##### PERFORMANCE - A05 LENS

Based on 4Ft. Module, 3500K, 80 CRI- Signify LV6 LED Boards.

Lumens per Foot (LF)	Delivered Lumens (L)	System Watts (W)	Lumens per Watt (LPW)
400	1600	13.9	115
500	2000	17.4	115
625	2500	22.0	114
985	3940	36.3	109

##### PERFORMANCE - A10 LENS

Lumens per Foot (LF)	Delivered Lumens (L)	System Watts (W)	Lumens per Watt (LPW)
400	1600	13.9	115
500	2000	17.4	115
625	2500	22.0	114
985	3940	36.3	109

##### PERFORMANCE - A15 LENS

Lumens per Foot (LF)	Delivered Lumens (L)	System Watts (W)	Lumens per Watt (LPW)
400	1600	13.0	123
500	2000	16.2	123
625	2500	20.5	122
1050	4200	37.9	111

Actual performance may differ by +/- 5% when operating between 120V-277V +/- 10%. Consult Factory for 90 CRI performances.

Multiplier for other Color Temp (k)

3000K	97%
3500K	100%
4000K	102%
5000K	103%



##### PERFORMANCE - ASYM

Based on 4Ft. Module, 3500K, 80 CRI, Special Asymmetric Lens.

Lumens per Foot (LF)	Delivered Lumens (L)	System Watts (W)	Lumens per Watt (LPW)
400	1600	11.0	145
500	2000	13.8	145
625	2500	17.5	143
825	3300	23.7	139
1305	5220	39.3	133

Actual performance may differ by +/- 5% when operating between 120V-277V +/- 10%. Consult Factory for 90 CRI performances.

Multiplier for other Color Temp (k)

3000K	97%
3500K	100%
4000K	102%
5000K	103%



##### PERFORMANCE - BW

Based on 4Ft. Module, 3500K, 80 CRI, Special Batwing Lens.

Lumens per Foot (LF)	Delivered Lumens (L)	System Watts (W)	Lumens per Watt (LPW)
400	1600	11.6	138
500	2000	14.7	136
625	2500	18.7	134
825	3300	24.3	136
1275	5100	39.4	129

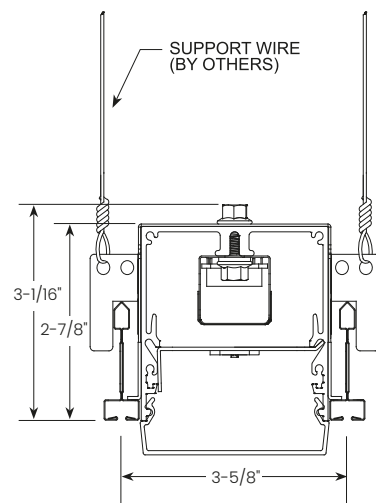
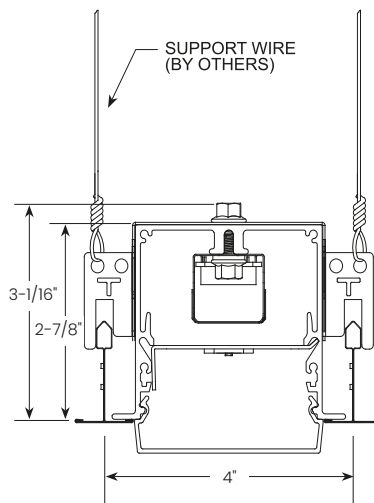
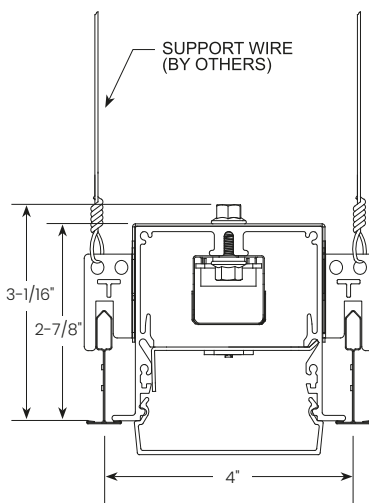
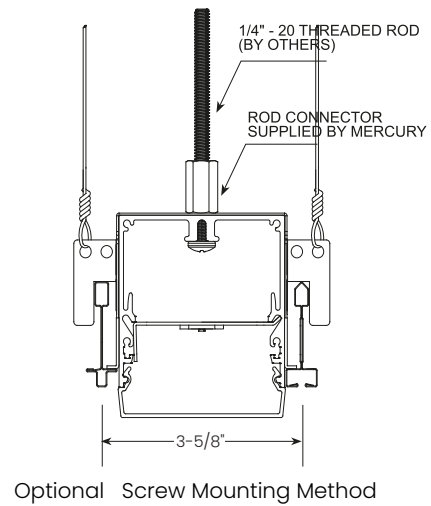
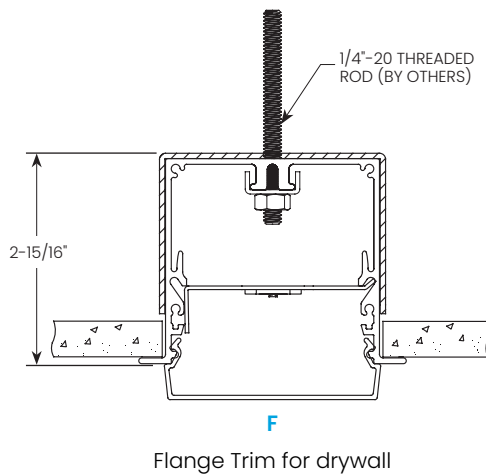
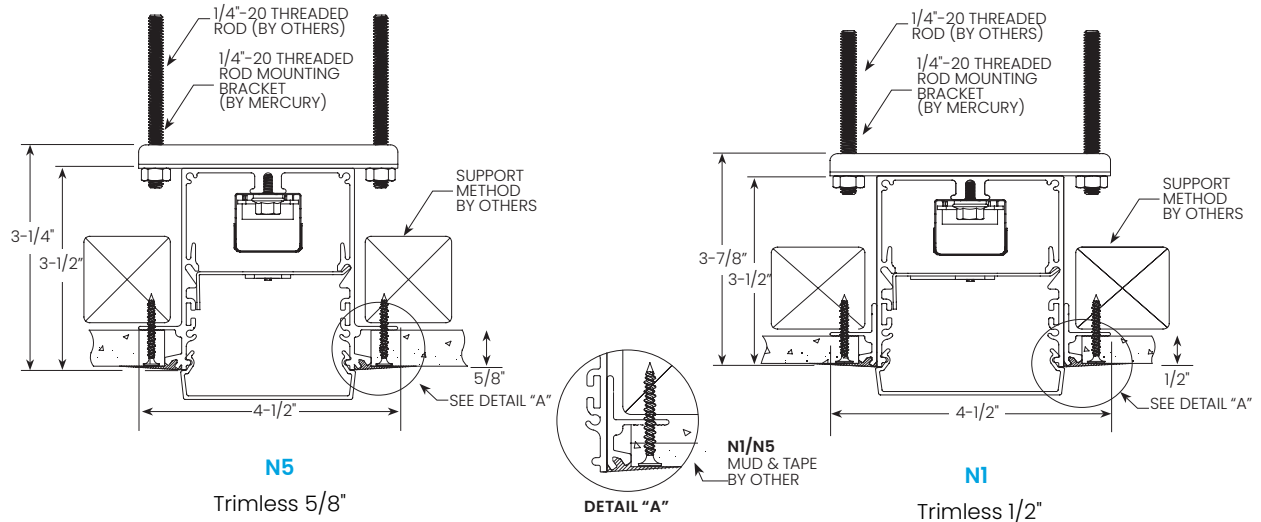
Actual performance may differ by +/- 5% when operating between 120V-277V +/- 10%. Consult Factory for 90 CRI performances.

Multiplier for other Color Temp (k)

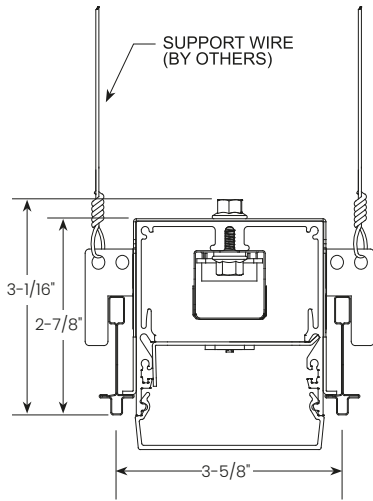
3000K	97%
3500K	100%
4000K	102%
5000K	103%



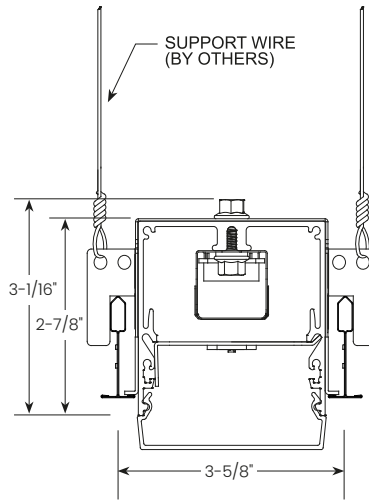
#### MOUNTING



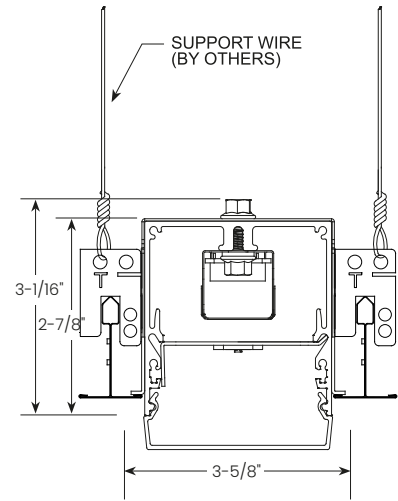
## MOUNTING



**SI**  
9/16" Interlude

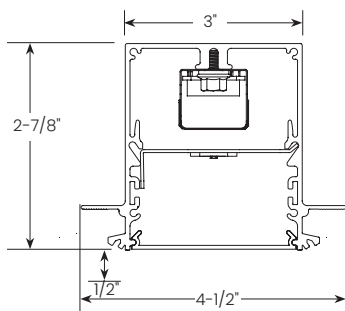


**T9**  
9/16" Tegular

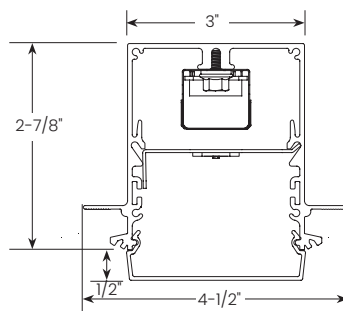


**T15**  
15/16" Tegular

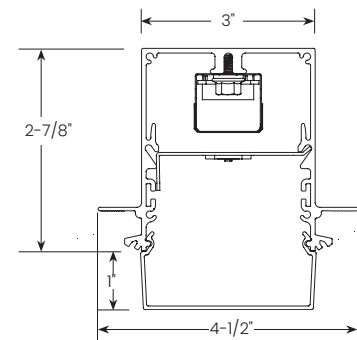
## DIFFUSER



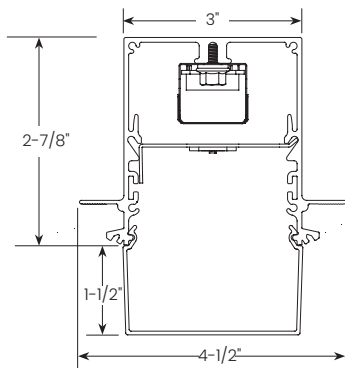
**ASO**  
Flat



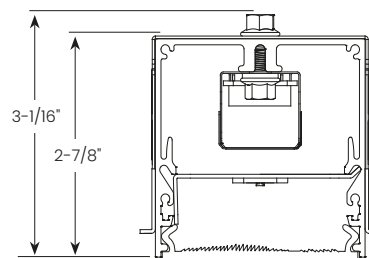
**A05**  
1/2" Drop



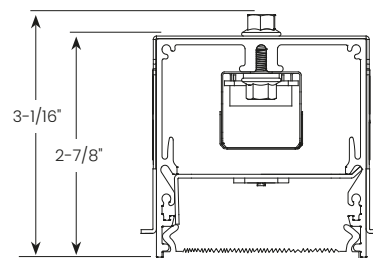
**A10**  
1" Drop



**A15**  
1-1/2" Drop



**ASYM**  
Asymmetric



**BW**  
Batwing Distribution

# MLD3

## DROP OR FLAT LENS

### RECESSED MOUNT FOR DRYWALL & GRID CEILINGS



#### HOUSINGS

Extruded aluminum profile in a 0.080-inch wall thickness. Maximum length of each linear component is 12-ft. .060 aluminum ends are provided where needed at row termini. A one-piece 14GA galvanized steel joiner/aligner bracket is provided for each joint between housings. Internal cold-rolled steel components. Housing intended for recessing into drywall type ceilings systems. Easy-use grid pry outs provided. Trimless housing for plaster-in or overlapping flange trim. See ceiling types section. A custom formulated non-glare matte-white polyester powder coating provides an extremely durable and long-lasting finish.

#### DIFFUSERS

Seamless fit diffusers. Flawless and consistent end-to end fit. Extruded from custom formulated acrylic smooth opal material. Allows maximum light transmission while eliminating pixilation and hot spots. Standard diffuser is 1/2-inch drop style. Optional diffusers; 1-inch or 1-1/2-inch drop style or flat style. Smooth finish compliments the architectural elements.

#### LED MODULES

High performance linear configured LED module boards. Each board consists of multiple mid-power, high efficacy LEDs in a precise layout eliminating the need for supplemental heat sinking. The boards produce an even and diffuse light which maximizes optical efficiency. Compatible with the dimming performance of the LED driver. Color temperatures available 80 CRI: 3000K, 3500K and 4000K. Upon request: 5000K. Color temperatures available 90 CRI: 2700K, 3000K, 3500K and 4000K.

#### TUNABLE WHITE OPTION

Field tunable range 2700K through 6500K. 80CRI.

#### LED DRIVERS

Factory programmable constant current LED power supply. Multiple standard drive current outputs (factory set by Mercury) are cataloged with their corresponding lumens per-foot offering. Upon request, custom drive current outputs and lumens-per-foot options are available. Note: Certain cataloged lumens-per-foot offerings may be provided with a non-programmable constant current LED power supply at Mercury's discretion. Contact factory if critical. Universal voltage input, 120V-277V, 50HZ-60HZ. Continuous dimming capability down to 1%-standard. 0.1% available upon request. Dim to Dark option available upon request. Sensor ready (SR) drivers compatible with most lighting controls are optional. Consult factory. Lutron driver available: LDEI series.

#### STANDBY LIGHTING OPTIONS

Self-contained module, 10W or 12W as specified. Battery backup upon loss of power. Available in modules of 4-Ft. and longer. (Limited to 625 and 900 Lumens per foot packages).

#### INSTALLATIONS

Designed for recessed installation into drywall type ceiling systems. See ceiling types section for typical installations. Availability for various types; 15/16" grid, 9/16" grid, 9/16" screw-slot, 9/16" interlude. For drywall applications see appropriate specification sheets for those ceiling types. Grid pry outs lock over top of gridwork. Auxiliary suspension requires to building structure. Trimless housing requires plastering-in after installation. Overlapping trim neatly closes off drywall opening. For all recessed grid applications see appropriate specification sheets for those ceiling types. Lengths of 12-ft. and less to use one housing with two ends pre-installed. Lengths over 12-ft. will be engineered to job requirements using multiple housings with one end pre-installed at each row end. Lengths over 12-ft. will include appropriate job required quick-connect plug-thru wire harnesses and housing joiners. Wiring access plate provided on top. End plates have 7/8" KO.

#### CERTIFICATE OF SAFETY COMPLIANCE AND LISTINGS

Luminaire: UL and CUL listed 1598 and bears their label. Suitable for damp locations. Optional: Suitable for wet locations marking is available. Some limitations apply. Contact factory for all details.

#### LIGHTNING PROGRAM

Same quality product, shipped in 15 days or less (if drawings are required, 15 days or less starts after drawings are released). Entire order must qualify for [Lightning Program](#) in order to meet freight charges. Please contact our sales team if unsure your order will qualify. Options highlighted in Blue, 500 linear feet or less, are eligible for quick ship [Lightning Program](#). Relates to straight runs ONLY. Other variations not highlighted in blue may be available under [Lightning Program](#). Please consult factory. Specify LP-MLD3 when placing order if you would like to use [Lightning Program](#).

#### WARRANTY

5-year limited warranty is standard. Special 10-year warranty available on a job-to-job basis. Complete LED warranty terms available at [www.mercltg.com](http://www.mercltg.com). Actual performance may differ as a result of end-user environment and application. Most LED luminaires are suitable to operate in ambient temperatures from -20C (-4F) to 25C (77F). The following exclusions apply: Luminaires with standby lighting option, integral lighting controls options, or wireless control options. Consult factory. LM-79 testing was measured under a controlled 25C (77F) ambient operating temperature.

For suspended options please visit the rest of the MLD3 Asymmetric family.