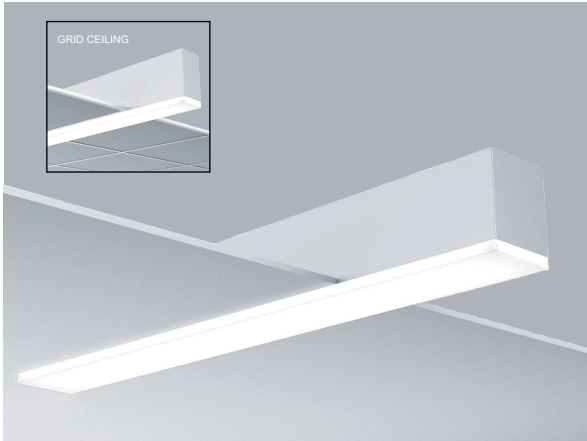


MLD3 PoE SERIES

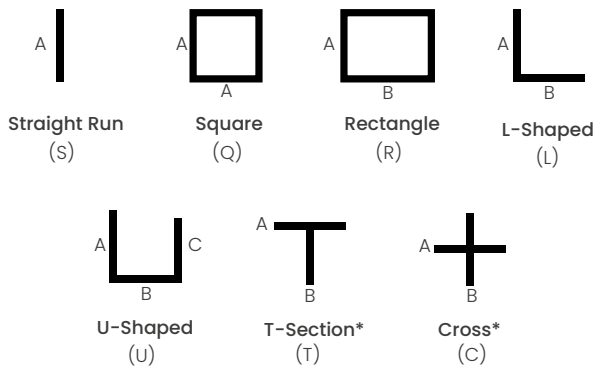
**DROP OR FLAT LENS
RECESSED MOUNT FOR DRYWALL & GRID CEILINGS**



FEATURES

- Power over Ethernet (PoE) enabled as Molex CoreSync.
- Tunable white feature for standard system or PoE system.
- Extruded aluminum housing for perfectly straight lines of light.
- Narrow 3-inch wide profile.
- Linear lengths; 2-ft. and above in increments of one-inch.
- Featured lens is a 1/2-inch drop style.
- Optional: 1-inch or 1-1/2 inch drop lens.
- Optional: flat style lens.
- Recessed for various grid type ceilings, drywall ceiling types; trimless or overlapping flange trim.
- Standard and custom corners.
- Custom formulated high diffusion extruded acrylic lens.
- Non-glare matte-white polyester powder coating finish.
- CCEA option available.
- IC Rated.
- Cataloged standard or custom set lumens-per-foot performances.
- 80 CRI standard. 90 CRI available.
- Fixture lumens per watt ratios up to 120.
- American Made.

SHAPES/PATTERNS



*Please consult factory to confirm design and layout will comply with specified ceiling
For other shapes/patterns/runs consult the factory.



molex

Fixture type:	Job information:
<input type="text"/>	<input type="text"/>

PERFORMANCE - A05 LENS

Based on 4Ft. Module, 3500K, 80 CRI.

Lumens per Foot (LF)	Delivered Lumens (L)	System Watts (W)	Lumens per Watt (LPW)
400	1600	14.4	111
500	2000	18.1	110
625	2500	22.9	109
825	3300	31.3	105
1060	4240	41.7	102

PERFORMANCE - A10 LENS

Lumens per Foot (LF)	Delivered Lumens (L)	System Watts (W)	Lumens per Watt (LPW)
400	1600	14.1	113
500	2000	17.8	112
625	2500	22.7	110
825	3300	30.8	107
1070	4280	41.5	103

PERFORMANCE - A15 LENS

Lumens per Foot (LF)	Delivered Lumens (L)	System Watts (W)	Lumens per Watt (LPW)
400	1600	13.4	120
500	2000	16.8	119
625	2500	21.2	117
825	3300	28.9	114
1130	4520	41.5	109

Actual performance may differ by +/- 5% when operating between 12V-42VDC.

Multiplier for other Color Temp (K)

- 3000K 97%
- 3500K 100%
- 4000K 102%
- 5000K 103%



MLD3 PoE SERIES

DROP OR FLAT LENS

RECESSED MOUNT FOR DRYWALL & GRID CEILINGS



MERCURY
Lighting Progress

PRODUCT DEFINITION SHEET

Ex: **MLD3-N5-144-S20-825-35K-40VDC-A10-180996-XXXX-250-300mA-COESM-00350-BABA**

1	2	3	4	5	6	7	8	9	10	11
---	---	---	---	---	---	---	---	---	----	----

1	2	3	4
SERIES	MOUNTING	LENGTH	SHAPE (ENTER LENGTH IN PRODUCT CODE ABOVE)
<input type="checkbox"/> MLD3 LightStreams 3	<input type="checkbox"/> N5 Trimless 5/8" <input type="checkbox"/> NI Trimless 1/2" <input type="checkbox"/> F Flange Trim for drywall <input type="checkbox"/> G9 Grid 9/16" flat T grid <input type="checkbox"/> G15 Grid 15/16" flat T grid <input type="checkbox"/> S Screw Slot <input type="checkbox"/> SI 9/16" Interlude <input type="checkbox"/> T9 9/16" Tegular <input type="checkbox"/> T15 15/16" Tegular	<input type="checkbox"/> 48 48" Length <input type="checkbox"/> 96 96" Length <input type="checkbox"/> 144 144" Length Custom or Row Length. 24" and above in 1" Increments. Ex. in inches: 82, 384, etc.	<input type="checkbox"/> S__ Individual/Straight Run Section (enter length, ex. S18) <input type="checkbox"/> Q__ Square Configuration (enter side length A, ex: Q18) <input type="checkbox"/> R__/_ Rectangular Configuration (enter side lengths A and B, ex. R12/24) <input type="checkbox"/> L__/_ L-Shaped Configuration (enter side lengths A and B, ex. L12/24) <input type="checkbox"/> U__/_/_ U-Shaped Configuration (enter side lengths A, B, and C, ex. U12/12/24) <input type="checkbox"/> T__/_ T-Section* (enter side lengths A and B, ex. T12/24) <input type="checkbox"/> C__/_ Cross Configuration* (enter side lengths A and B, ex. C12/24)

All corners of shape must be 90°, same plane.
 Lengths greater than 8' consist of multiple individual housing sections joined together. Lengths are nominal and may vary based on lamping and other specification selections.
 Consult Mercury when exact lengths are required.
 Consult factory for corners other than 90°
 *Please consult factory to confirm design and layout will comply with specified ceiling

5	6	7	8	9
LUMENS/FT	COLOR TEMP-CCT	LED FORWARD VOLTAGE	DIFFUSER	MOLEX DRIVER
A05 <input type="checkbox"/> 400 <input type="checkbox"/> 500 <input type="checkbox"/> 625 <input type="checkbox"/> 825 <input type="checkbox"/> 1060 A10 <input type="checkbox"/> 400 <input type="checkbox"/> 500 <input type="checkbox"/> 625 <input type="checkbox"/> 825 <input type="checkbox"/> 1070 A15 <input type="checkbox"/> 400 <input type="checkbox"/> 500 <input type="checkbox"/> 625 <input type="checkbox"/> 825 <input type="checkbox"/> 1130	80 CRI <input type="checkbox"/> 30K 3000K <input type="checkbox"/> 35K 3500K <input type="checkbox"/> 40K 4000K <input type="checkbox"/> 50K 5000K Upon request <input type="checkbox"/> TW Tunable White 2700K-6500K 90 CRI <input type="checkbox"/> 927K 2700K <input type="checkbox"/> 930K 3000K <input type="checkbox"/> 935K 3500K <input type="checkbox"/> 940K 4000K	<input type="checkbox"/> 40VDC	<input type="checkbox"/> A05 1/2" Drop <input type="checkbox"/> A10 1" Drop <input type="checkbox"/> A15 1-1/2" Drop	SINGLE CHANNEL <input type="checkbox"/> 180996-XXXX-250-300mA <input type="checkbox"/> 180996-XXXX-300-350mA <input type="checkbox"/> 180996-XXXX-360-500mA <input type="checkbox"/> 180996-XXXX-510-700mA <input type="checkbox"/> 180996-XXXX-710-880mA <input type="checkbox"/> 180996-XXXX-890-1050mA DUAL CHANNEL <input type="checkbox"/> 180996-XXXX-300-350mA <input type="checkbox"/> 180996-XXXX-360-500mA <input type="checkbox"/> 180996-XXXX-510-700mA <input type="checkbox"/> 180996-XXXX-710-880mA <input type="checkbox"/> 180996-XXXX-890-1050mA

Custom Lumen Packages.

OPTIONS

10	11
EMERGENCY LIGHTING	MISC. CUSTOM PAINT COLORS
SINGLE CHANNEL <input type="checkbox"/> COESM-00350 <input type="checkbox"/> COESM-00500 <input type="checkbox"/> COESM-00700 <input type="checkbox"/> COESM-01050 <input type="checkbox"/> COESM-00880	DUAL CHANNEL <input type="checkbox"/> CORED-00350 <input type="checkbox"/> CORED-00500 <input type="checkbox"/> CORED-00700 <input type="checkbox"/> CORED-01050 <input type="checkbox"/> CORED-00880
	<input type="checkbox"/> WL UL "Suitable for Wet Locations" labeled. <input type="checkbox"/> CCEA Meets the City of Chicago Environmental Air specifications. <input type="checkbox"/> BABA Consult factory
	<input type="checkbox"/> As Specified

MLD3 PoE SERIES

DROP OR FLAT LENS

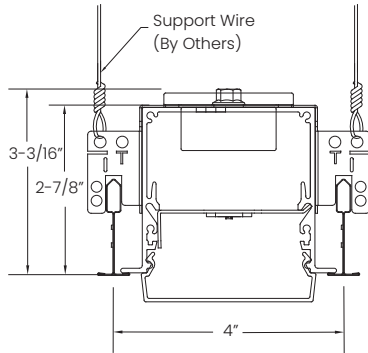
RECESSED MOUNT FOR DRYWALL & GRID CEILINGS



MERCURY®

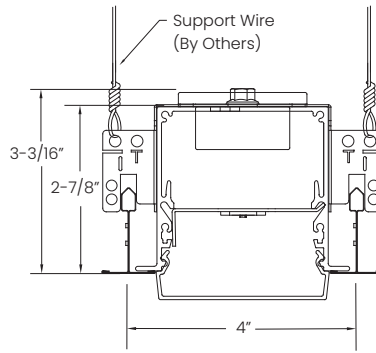
Lighting Progress

MOUNTING



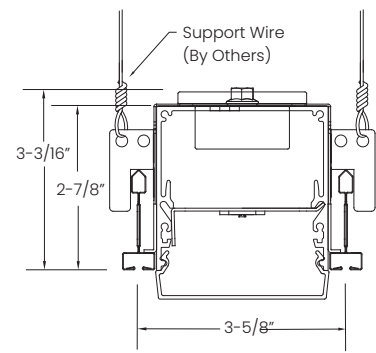
G9

Grid 9/16" flat T grid



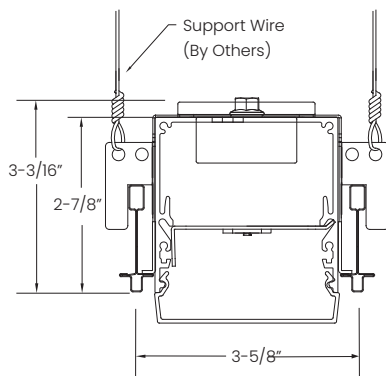
G15

Grid 15/16" flat T grid



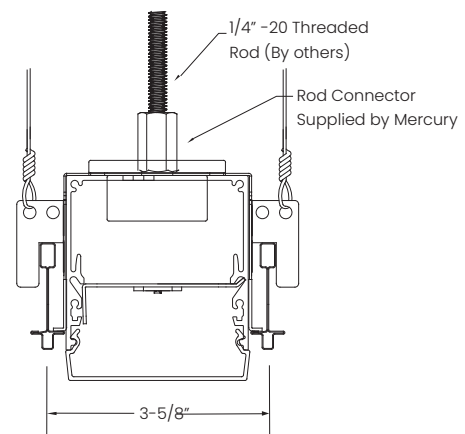
S

Screw Slot



SI

9/16" Interlude



Optional Screw Mounting Method

MLD3 PoE SERIES



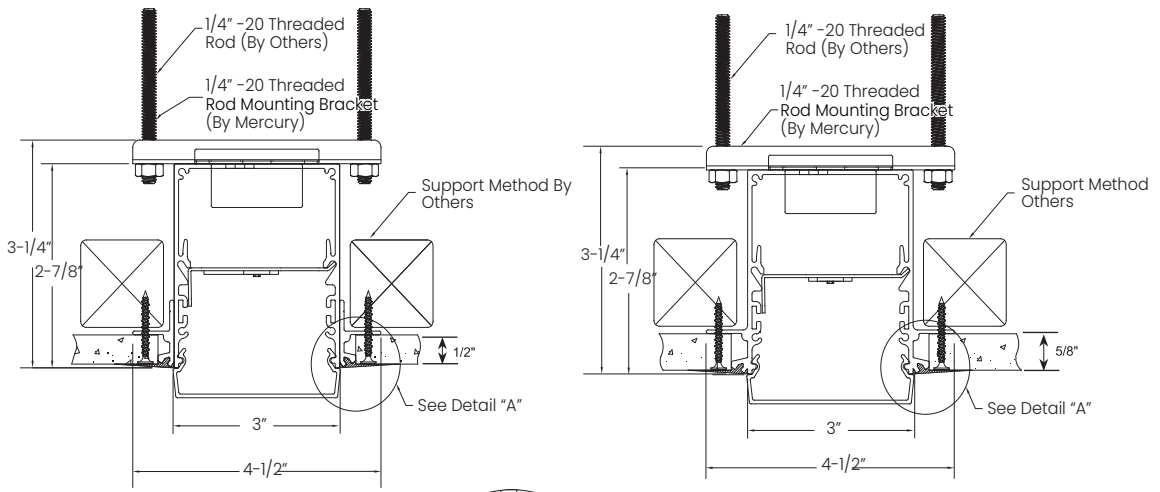
MERCURY

Lighting Progress

DROP OR FLAT LENS

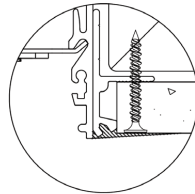
RECESSED MOUNT FOR DRYWALL & GRID CEILINGS

MOUNTING

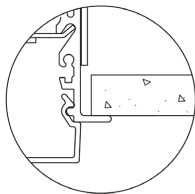


N1
Trimless 1/2"

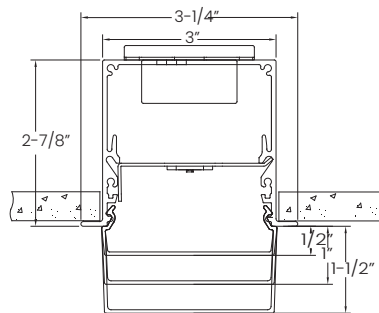
N5
Trimless 5/8"



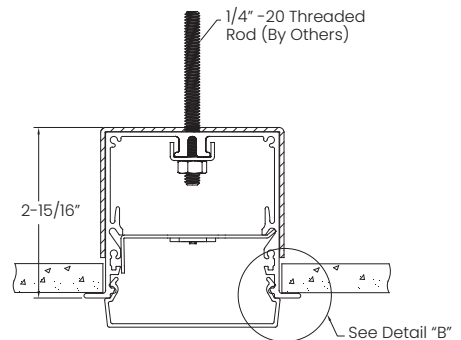
Detail "A"
Mud & Tape
By Other



Detail "B"
Overlapping
Trim

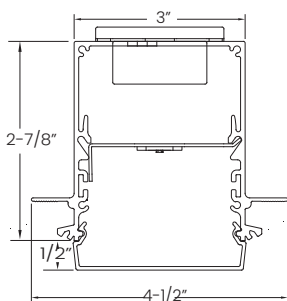


F
Flange Trim for drywall

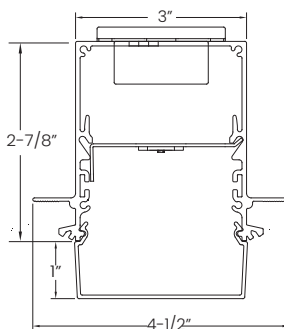


See Detail "B"

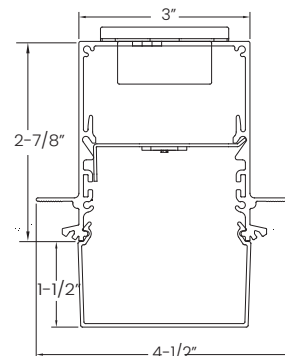
DIFFUSER



A05
1/2" Drop



A10
1" Drop



A15
1-1/2" Drop

MLD3 PoE SERIES

DROP OR FLAT LENS

RECESSED MOUNT FOR DRYWALL & GRID CEILINGS



MERCURY
Lighting Progress

HOUSINGS

Extruded aluminum profile in a 0.080-inch wall thickness. Maximum length of each linear component is 12-ft. .060 aluminum ends are provided where needed at row termini. A one-piece 14GA galvanized steel joiner/aligner bracket is provided for each joint between housings. Internal cold-rolled steel components. A custom formulated non-glare matte-white polyester powder coating provides an extremely durable and long-lasting finish. Housing intended for recessing into drywall type ceiling systems. Trimless housing for plaster-in or overlapping flange trim. See ceiling types section.

DIFFUSERS

Seamless fit diffusers. Flawless and consistent end-to-end fit. Extruded from custom formulated acrylic smooth opal material. Allows maximum light transmission while eliminating pixilation and hot spots. Standard diffuser is 1-2- inch drop style. Optional diffusers; 1-inch or 1-1/2-inch drop style or flat style. Smooth finish on both diffusers compliments the architectural elements.

LED MODULES

High performance linear configured LED module boards. Each board consists of multiple mid-power, high efficacy LEDs in a precise layout eliminating the need for supplemental heat sinking. The boards produce an even and diffuse light which maximizes optical efficiency. Compatible with the dimming performance of the LED driver. Color temperatures available 80 CRI: 3000K, 3500K and 4000K. Upon request: 5000K. Color temperatures available 90 CRI: 2700K, 3000K, 3500K and 4000K.

TUNABLE WHITE OPTION

Field tunable range 2700K through 6500K. 80CRI.

PoE DRIVERS

UL 2108 Listed.
Plenum Rated.
LED output voltage range 12-42VDC.
Class 2 rated electrical device.
Available in both single channel and dual channel.
Efficiency: 92% (typical) at 52VDC input, full load.
Constant Current accuracy +/- 3%.
Ambient temperature: 0 to 40°C (32 to 104°F).
Storage temperature: -40 to 85°C (-40 to 185°F).
Max case temperature: 75°C (167°F).
Environmental rating: Indoor.

DIMMING PERFORMANCE - PoE DRIVER

Dimming: PWM
Dimming type: Linear
Dimming frequency: 500Hz
Dimming range: 1-100%

CORESNC EMERGENCY LIGHTING BYPASS

UL 924 Compliant, Indoor Rated.
Ambient operating temperature 0-40C (32-104F).

ELECTRICAL - ELB

EM input: 110-277 VAC.
Output: 12-42 VDC up to 1050MA.
Standby Power: 1W.

MOLEX- PoE DRIVER

The Molex CoreSync Programmable Smart LED Driver is a compact low voltage, DC/DC LED driver that can be programmed to specific power outputs, for driving Constant Current LED engines in a wide variety of light fixtures. Controlled, powered and integrated with a Molex CoreSync PoE Gateway.

This DC system provides 71.3 usable watts at the powered device, it operates at 52 VDC and has an amperage allowance 1.73 amps.

Using this product gives the end user the option of making their building a smart building combining IT and OT to one platform, while being able to control but not limited to cameras, shades, occupancy, traffic patterns and DLH.

OPERATION - ELB

In the event of a power failure, PoE power source failure or disconnection of cabling, the module will bypass normal PoE control and activate the emergency power source. The fixture will power to full brightness and return to normal operation once the emergency has been cleared.

CORNERS

Standard 90-degree corners. Custom angled corners.

INSTALLATIONS

Designed for recessed installation into acoustical grid and drywall type ceiling systems.

See ceiling types section for typical installations.

Availability for various types; 15/16" grid, 9/16" grid, 9/16" screw-slot, 9/16" interlude.

Grid pry outs lock over top of gridwork. Auxiliary suspension requires to building structure.

Trimless housing requires plastering-in after installation.

Overlapping trim neatly closes off drywall opening.

Lengths of 12-ft. and less to use one housing with two ends pre-installed.

Lengths over 12-ft. will be engineered to job requirements using multiple housings with one end pre-installed at each row end.

Lengths over 12-ft. will include appropriate job required quick-connect plug-thru wire harnesses and housing joiners.

Wiring access plate provided on top. End plates have 7/8" KO.

CERTIFICATE OF SAFETY COMPLIANCE AND LISTINGS

Luminaire: UL and CUL listed 1598 and bears their label. Suitable for damp locations.

Optional: Suitable for wet locations marking is available. Some limitations apply. Contact factory for all details.

IC Rated.

CCEA option meets the City of Chicago Environmental Air specifications.

WARRANTY

5-year limited warranty is standard. Special 10-year warranty available on a job-to-job basis. Complete LED warranty terms available at www.mercltg.com

Actual performance may differ as a result of end-user environment and application.

Most LED luminaires are suitable to operate in ambient temperatures from -20C (-4F) to 25C (77F).

The following exclusions apply: Luminaires with standby lighting option, integral lighting controls options, or wireless control options. Consult factory.

LM-79 testing was measured under a controlled 25C (77F) ambient operating temperature.