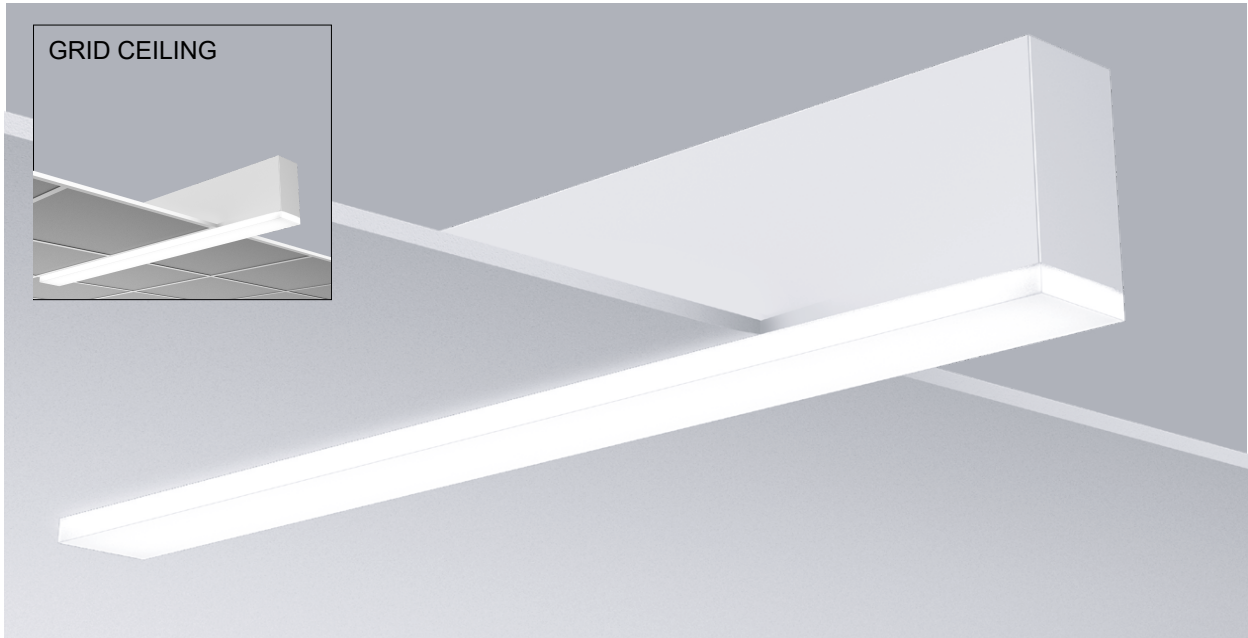
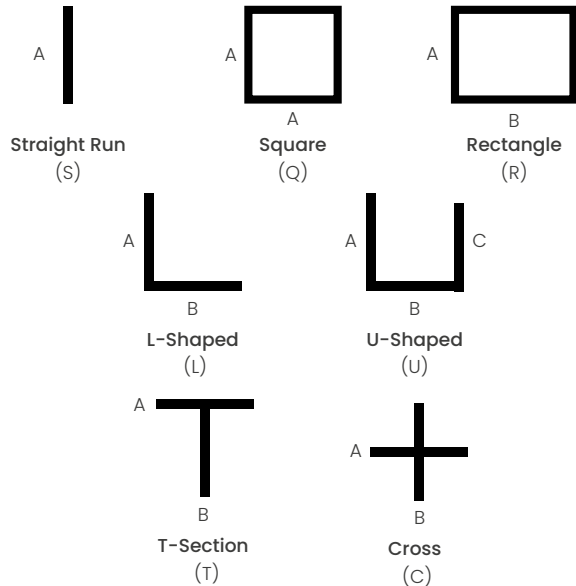


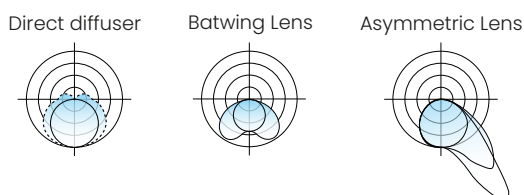
MLD2
DROP OR FLAT LENS
RECESSED MOUNT FOR DRYWALL & GRID CEILINGS



SHAPES/PATTERNS/RUNS



For other shapes/patterns/runs consult the factory.



FEATURES

- Extruded aluminum housing.
- Narrow 1 7/8" wide profile.
- Linear lengths of 2-ft and above in increments of one-inch.
- Continuous runs and welded patterns available.
- Custom formulated high diffusion extruded acrylic lens.
- Featured lens is a 1/2-inch drop style.
- Optional: 1-inch or 1-1/2-inch drop lens.
- Optional: flat style lens.
- Non-glare matte- white polyester powder coating finish.
- Recessed for various ceiling types.
- Continuous dimming capability down to 1% on 0-10V controls.
- 80 CRI standard. 90 CRI available.
- IC rated.
- CCEA option available.
- Fixture lumens per watt ratios up to 125.
- Tunable white feature optional.
- Standard and custom corners.
- American Made.
- Lightning Program eligible (ships in 15 days or less): See ordering data for options.



Fixture type:	Job information:
<input type="text"/>	<input type="text"/>

MLD2

DROP OR FLAT LENS

RECESSED MOUNT FOR DRYWALL & GRID CEILINGS



PRODUCT DEFINITION SHEET

All options highlighted in **BLUE** are eligible for **Lightning Program** (same quality product, shipped in 15 days or less)

Ex: **MLD2-N5-144-S18-825-35K-A10-1-U-EM12-WL-SR-AU**

1	2	3	4	5	6	7	8	9	10	11	12	13
---	---	---	---	---	---	---	---	---	----	----	----	----

1	2	3	4
SERIES	MOUNTING	LENGTH	SHAPE (ENTER LENGTH IN PRODUCT CODE ABOVE)
<input type="checkbox"/> MLD2 LightStreams 2 <input type="checkbox"/> LP-MLD2 Lightning Program	<input type="checkbox"/> N5 Trimless 5/8" <input type="checkbox"/> N1 Trimless 1/2" <input type="checkbox"/> F Flange Trim for drywall <input type="checkbox"/> G9 Grid 9/16" flat T grid <input type="checkbox"/> G15 Grid 15/16" flat T grid <input type="checkbox"/> S Screw Slot <input type="checkbox"/> SI 9/16" Interlude <input type="checkbox"/> T9 9/16" Tegular <input type="checkbox"/> T15 15/16" Tegular	<input type="checkbox"/> 48 48" Length <input type="checkbox"/> 96 96" Length <input type="checkbox"/> 144 144" Length Custom or Row Length. 24" and above in 1" increments. Ex. in inches: 82, 384, etc.	<input type="checkbox"/> S__ Individual/Straight Run Section (enter length, ex. S18) <input type="checkbox"/> Q__ Square Configuration (enter side length A, ex: Q18) <input type="checkbox"/> R__/_ Rectangular Configuration (enter side lengths A and B, ex. R12/24) <input type="checkbox"/> L__/_ L-Shaped Configuration (enter side lengths A and B, ex. L12/24) <input type="checkbox"/> U__/_/_ U-Shaped Configuration (enter side lengths A, B, and C, ex. U12/12/24)

All corners of shape must be 90°, same plane. Lengths greater than 8' consist of multiple individual housing sections joined together. Lengths are nominal and may vary based on lamping and other specification selections. Consult Mercury when exact lengths are required. Consult factory for corners other than 90°

5	6	7	8	9
LUMENS/FT	COLOR TEMP-CCT	DIFFUSER	DRIVER	VOLTAGE
Custom Lumen Packages. A05 LENS <input type="checkbox"/> 400 <input type="checkbox"/> 500 <input type="checkbox"/> 625 <input type="checkbox"/> 825 <input type="checkbox"/> 950 ASYMMETRIC <input type="checkbox"/> 400 <input type="checkbox"/> 500 <input type="checkbox"/> 625 <input type="checkbox"/> 825 <input type="checkbox"/> 1180 A10 LENS <input type="checkbox"/> 400 <input type="checkbox"/> 500 <input type="checkbox"/> 625 <input type="checkbox"/> 825 <input type="checkbox"/> 1000 BATWING <input type="checkbox"/> 400 <input type="checkbox"/> 500 <input type="checkbox"/> 625 <input type="checkbox"/> 825 <input type="checkbox"/> 1090 A15 LENS <input type="checkbox"/> 400 <input type="checkbox"/> 500 <input type="checkbox"/> 625 <input type="checkbox"/> 825 <input type="checkbox"/> 1025	80 CRI <input type="checkbox"/> 30K 3000K <input type="checkbox"/> 35K 3500K <input type="checkbox"/> 40K 4000K <input type="checkbox"/> 50K 5000K Upon request <input type="checkbox"/> TW Tunable White 2700K-6500K 90 CRI <input type="checkbox"/> 927K 2700K <input type="checkbox"/> 930K 3000K <input type="checkbox"/> 935K 3500K <input type="checkbox"/> 940K 4000K	<input type="checkbox"/> A05 1/2" Drop <input type="checkbox"/> A10 1" Drop <input type="checkbox"/> A15 1-1/2" Drop <input type="checkbox"/> ASYM Asymmetric <input type="checkbox"/> BW Batwing distribution	<input type="checkbox"/> 1 0-10V 1% Dimming <input type="checkbox"/> 1DD 0-10% Dimming Dim to Dark <input type="checkbox"/> eL eldoLED Solo 0.1% <input type="checkbox"/> LDEI Lutron Hi- Lume <input type="checkbox"/> - As Specified	<input type="checkbox"/> U Uni 120-277V <input type="checkbox"/> 1 120V <input type="checkbox"/> 7 277V <input type="checkbox"/> - As Specified Please verify at the time of release if 120V or 277V is required. Although drivers are universal voltage, a specific voltage is required to determine amp draw as well as voltage specific flexes and/or plug thrus as needed.

OPTIONS				
10	11	12	13	
STANDBY MODULES	MISC.	SENSOR READY	LIGHTING CONTROLS	CUSTOM PAINT COLORS
<input type="checkbox"/> EM10 Emergency Battery 10W <input type="checkbox"/> EM12 Emergency Battery 12W <input type="checkbox"/> NO OPTION Available in modules of 4-ft. and longer.	<input type="checkbox"/> WL UL "Suitable for Wet Locations" labeled. <input type="checkbox"/> CCEA Meets the City of Chicago Environmental Air specifications. <input type="checkbox"/> BABA Consult factory.	<input type="checkbox"/> SR Sensor Ready Required for Certain Controls, Contact Mercury Lighting	<input type="checkbox"/> AU Autani <input type="checkbox"/> AVI Avi-On <input type="checkbox"/> CA Casambi <input type="checkbox"/> LV Leviton <input type="checkbox"/> LT Lutron <input type="checkbox"/> NL nLight <input type="checkbox"/> PS Philips/Signify <input type="checkbox"/> WA Wattstopper <input type="checkbox"/> CU Current nx <input type="checkbox"/> NO No option	<input type="checkbox"/> As Specified

Consult Mercury Lighting for further information and other options.

Mercury should be notified if the controls are to be Wireless, Networked Lighting Controls, 0-10v Dimming, DMX, etc.

If controls aren't specified, the fixture ships 0-10V, 1% dimming, unified D/I control.

MLD2

DROP OR FLAT LENS

RECESSED MOUNT FOR DRYWALL & GRID CEILINGS



PERFORMANCE

PERFORMANCE – A05 LENS

Lumens per Foot (LF)	Delivered Lumens (L)	System Watts (W)	Lumens per Watt (LPW)
400	1600	15.0	107
500	2000	18.7	107
625	2500	23.5	106
825	3300	31.5	105
950	3800	36.6	104

PERFORMANCE – A10 LENS

Lumens per Foot (LF)	Delivered Lumens (L)	System Watts (W)	Lumens per Watt (LPW)
400	1600	14.3	112
500	2000	17.9	112
625	2500	22.5	111
825	3300	29.9	110
1000	4000	36.8	109

PERFORMANCE – A15 LENS

Lumens per Foot (LF)	Delivered Lumens (L)	System Watts (W)	Lumens per Watt (LPW)
400	1600	13.7	117
500	2000	17.1	117
625	2500	21.5	116
825	3300	28.5	116
1025	4100	35.8	115

Based on 4Ft. Module, 3500K, 80 CRI- Signify LV6 LED Boards. Actual performance may differ by +/- 5% when operating between 120V-277V +/- 10%. Consult Factory for 90 CRI performances.

Multiplier for other Color Temp (K)
 3000K 97%
 3500K 100%
 4000K 102%
 5000K 103%



PERFORMANCE – SPECIAL ASYMMETRIC LENS

Lumens per Foot (LF)	Delivered Lumens (L)	System Watts (W)	Lumens per Watt (LPW)
400	1600	14.0	114
500	2000	17.2	116
625	2500	21.3	117
825	2889	26.4	125
1180	4720	41.6	113

Based on 4Ft. Module, 3500K, 80 CRI- Signify LV6 LED Boards. Actual performance may differ by +/- 5% when operating between 120V-277V +/- 10%. Consult Factory for 90 CRI performances.

Multiplier for other Color Temp (K)
 3000K 97%
 3500K 100%
 4000K 102%
 5000K 103%



PERFORMANCE – SPECIAL BATWING LENS

Lumens per Foot (LF)	Delivered Lumens (L)	System Watts (W)	Lumens per Watt (LPW)
400	1600	13.5	119
500	2000	16.9	118
625	2500	21.4	117
825	3300	28.8	115
1090	4360	39.4	111

Based on 4Ft. Module, 3500K, 80 CRI- Signify LV6 LED Boards. Actual performance may differ by +/- 5% when operating between 120V-277V +/- 10%. Consult Factory for 90 CRI performances.

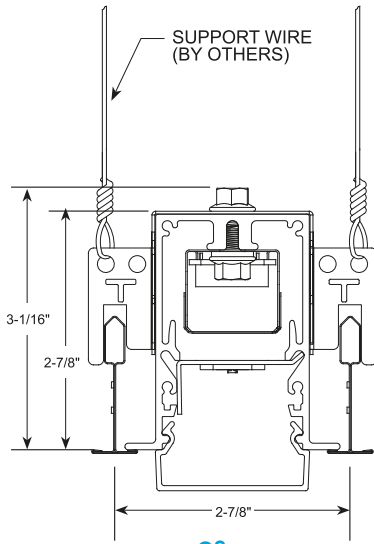
Multiplier for other Color Temp (K)
 3000K 97%
 3500K 100%
 4000K 102%
 5000K 103%



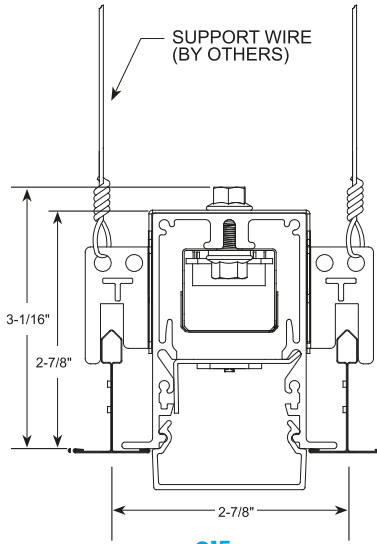
MLD2

DROP OR FLAT LENS
RECESSED MOUNT FOR DRYWALL & GRID CEILINGS

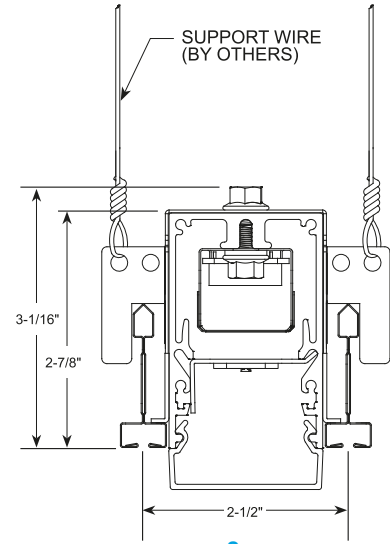
MOUNTING



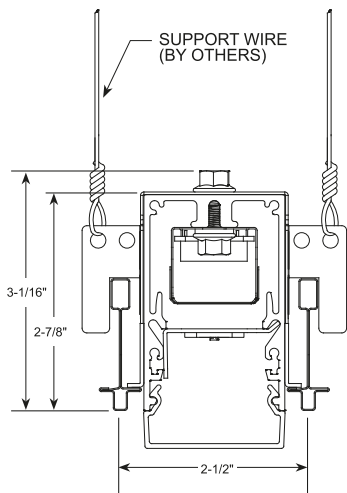
G9
Grid 9/16" flat T grid



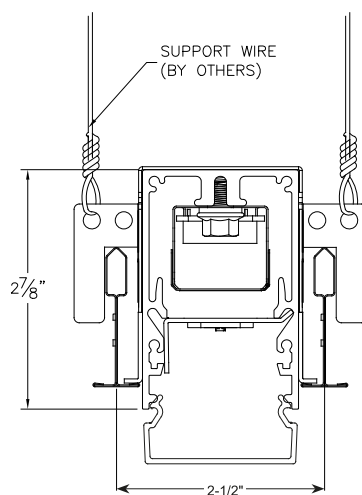
G15
Grid 15/16" flat T grid



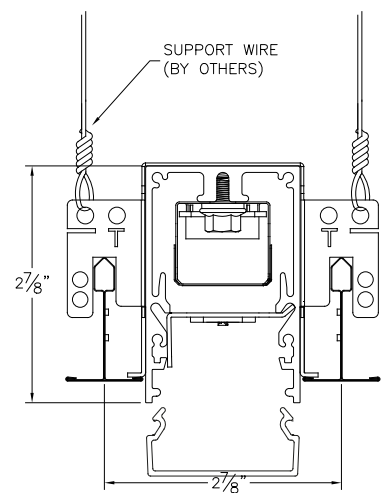
S
Screw Slot



SI
9/16" Interlude



T9
9/16" Regular



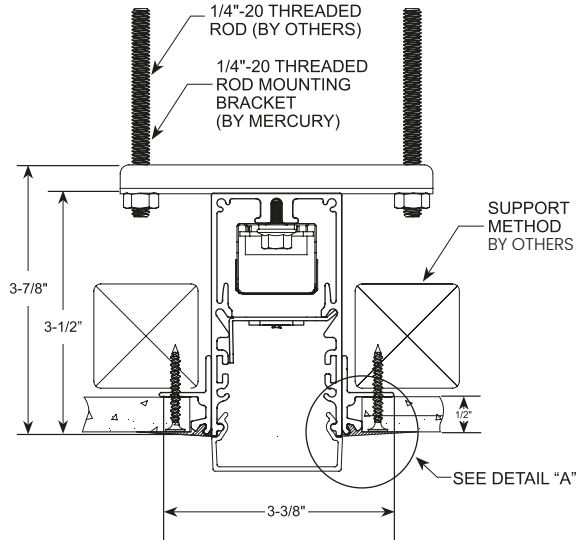
T15
15/16" Regular

MLD2

DROP OR FLAT LENS

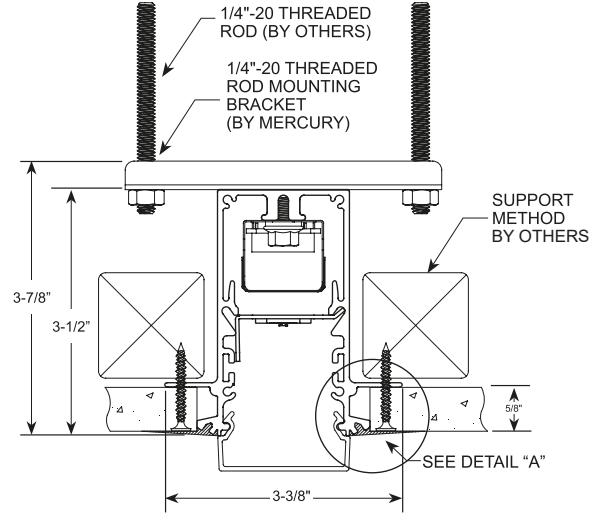
RECESSED MOUNT FOR DRYWALL & GRID CEILINGS

MOUNTING



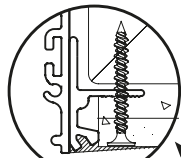
N1

Trimless 1/2"



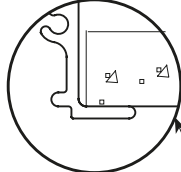
N5

Trimless 5/8"



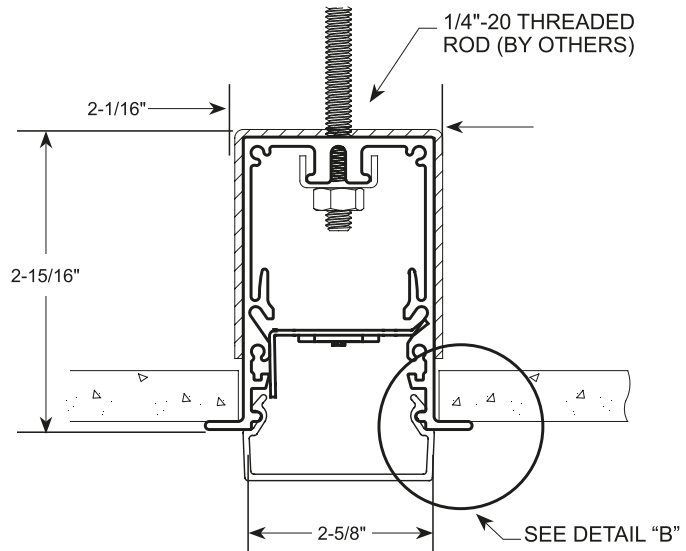
N1/N5
MUD & TAPE
BY OTHER

DETAIL "A"



F
OVERLAPPING
TRIM

DETAIL "B"

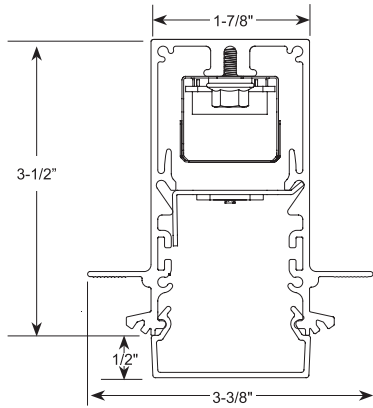


F

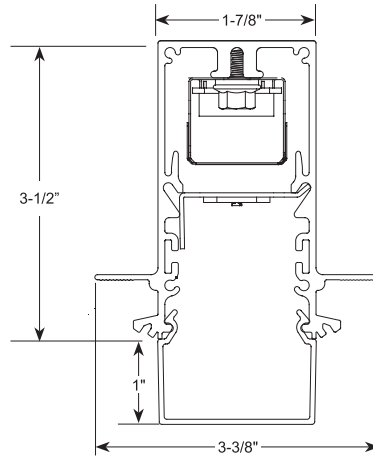
Flange Trim for drywall

MLD2
DROP OR FLAT LENS
RECESSED MOUNT FOR DRYWALL & GRID CEILINGS

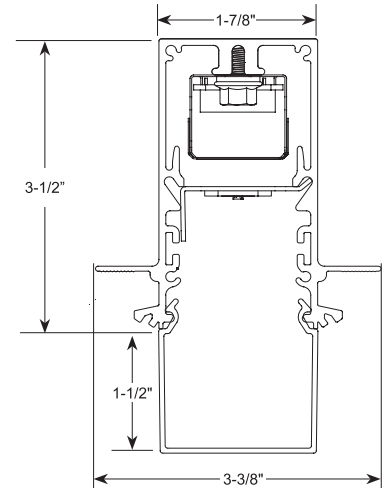
DIFFUSER



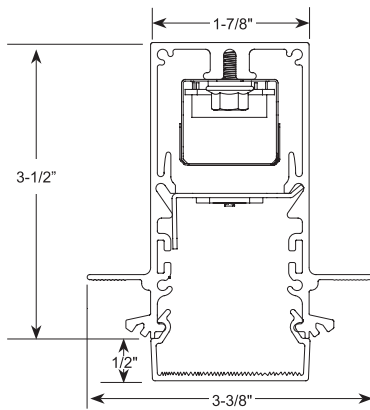
A05
 1/2" Drop



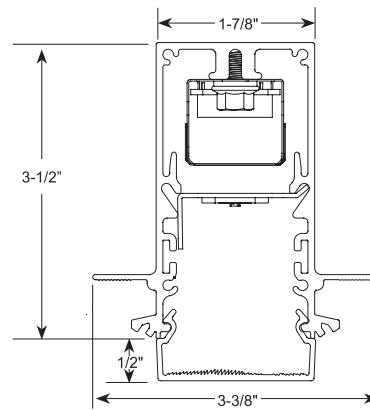
A10
 1" Drop



A15
 1-1/2" Drop



Batwing Lens



Asymmetric Lens

For surface and suspended options please visit the rest of the MLD2 family:

MLD2

DROP OR FLAT LENS

RECESSED MOUNT FOR DRYWALL & GRID CEILINGS



HOUSINGS

Extruded aluminum profile in a 0.080-inch wall thickness. Maximum length of each linear component is 12-ft. .060 aluminum ends are provided where needed at row termini. A one-piece 14GA galvanized steel joiner/aligner bracket is provided for each joint between housings. Internal cold-rolled steel components. Housing intended for recessing into drywall type ceilings systems. Trimless housing for plaster-in or overlapping flange trim. See ceiling types section. A custom formulated non-glare matte-white polyester powder coating provides an extremely durable and long lasting finish.

DIFFUSERS

Seamless fit diffusers. Flawless and consistent end-to-end fit. Extruded from custom formulated acrylic smooth opal material. Allows maximum light transmission while eliminating pixilation and hot spots. Standard diffuser is 1/2-inch drop style. Optional diffusers; 1-inch or 1-1/2-inch drop style or flat style. Smooth finish compliments the architectural elements.

LED MODULES

HLED Modules High performance linear configured LED module boards. Each board consists of multiple mid-power, high efficacy LEDs in a precise layout eliminating the need for supplemental heat sinking. The boards produce an even and diffuse light which maximizes optical efficiency. Compatible with the dimming performance of the LED driver. Color temperatures available 80 CRI: 3000K, 3500K and 4000K. Upon request: 5000K. Color temperatures available 90 CRI: 2700K, 3000K, 3500K and 4000K.

TUNABLE WHITE OPTION

Field tunable range 2700K through 6500K. 80CRI.

LED DRIVERS

Factory programmable constant current LED power supply. Multiple standard drive current outputs (factory set by Mercury) are cataloged with their corresponding lumens per-foot offering. Upon request, custom drive current outputs and lumens-per-foot options are available. Note: Certain cataloged lumens-per-foot offerings may be provided with a non-programmable constant current LED power supply at Mercury's discretion. Contact factory if critical. Universal voltage input, 120V-277V, 50HZ-60HZ. Continuous dimming capability down to 1%-standard. 0.1% available upon request. Dim to Dark option available upon request. Sensor ready (SR) drivers compatible with most lighting controls are optional. Consult factory. Lutron driver available: LDEI series. (Limited to 625 Lumens per foot packages).

STANDBY LIGHTING OPTIONS

Self-contained module, 10W or 12W as specified. Battery backup upon loss of power. Available in modules of 4-Ft. and longer. (Consult limited Lumens per foot packages).

CORNERS

Standard 90 degree corners. Custom angled corners.

INSTALLATIONS

Designed for recessed installation into drywall type ceiling systems. See ceiling types section for typical installations. Trimless housing requires plastering-in after installation. Overlapping trim neatly closes off drywall opening. For all recessed grid applications see appropriate specification sheets for those ceiling types. Lengths of 12-ft. and less to use one housing with two ends pre-installed. Lengths over 12-ft. will be engineered to job requirements using multiple housings with one end pre-installed at each row end. Lengths over 12-ft. will include appropriate job required quick-connect plug-thru wire harnesses and housing joiners. Wiring access plate provided on top. End plates have 7/8" KO.

CERTIFICATE OF SAFETY COMPLIANCE AND LISTINGS

Luminaire: UL and CUL listed 1598 and bears their label. Suitable for damp locations. IC rated. Optional: Suitable for wet locations marking is available. Some limitations apply. Contact factory for all details. CCEA option meets the City of Chicago Environmental Air specifications.

LIGHTNING PROGRAM

Same quality product, shipped in 15 days or less (if drawings are required, 15 days or less starts after drawings are released). Entire order must qualify for [Lightning Program](#) in order to meet freight charges. Please contact our sales team if unsure your order will qualify. Options highlighted in Blue, 500 linear feet or less, are eligible for quick ship [Lightning Program](#). Relates to straight runs ONLY. Other variations not highlighted in blue may be available under [Lightning Program](#). Please consult factory. Specify LP-MLD2 when placing order if you would like to use [Lightning Program](#).

WARRANTY

5-year limited warranty is standard. Special 10-year warranty available on a job-to-job basis. Complete LED warranty terms available at www.mercltg.com. Actual performance may differ as a result of end-user environment and application. Most LED luminaires are suitable to operate in ambient temperatures from -20C (-4F) to 25C (77F). The following exclusions apply: Luminaires with standby lighting option, integral lighting controls options, or wireless control options. Consult factory. LM-79 testing was measured under a controlled 25C (77F) ambient operating temperature.