

L200

ARCHITECTURAL LINEAR PENDANT DIRECT/INDIRECT LED LUMINAIRE



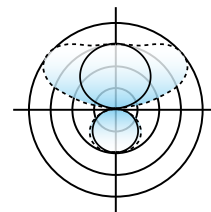
LUMEN PACKAGE

Series	Nominal Length (FT)	Nominal Lumen Package	Color	Lumens	Fixture Power (W)	Fixture LPW
L200	4	3400	30K	3383	23.9	141
		3400	35K	3417	23.9	143
		3400	40K	3625	23.9	152
	8	4800	30K	4756	33.8	141
			35K	4821	33.8	143
			40K	5026	33.8	149
9600		30K	6714	48.8	138	
		35K	6810	48.8	140	
		40K	7099	48.8	145	
9600	9600	30K	9505	67.6	141	
		35K	9635	67.6	143	
		40K	10,052	67.6	149	

Actual wattage may differ by +/- 5% when operating between 120V-277V +/- 10%.

FEATURES

- Low profile linear ambient LED luminaire.
- Dual directional illumination. Direct downlighting and indirect uplighting.
- Configured for individual or continuous runs.
- Designed with clean, straight lines making it a great choice for your lighting projects in open and private offices, educational facilities, retail or other applications.
- 4Ft. or 8Ft. long modules.
- Digital LED technology provides high efficacy and energy efficiency.
- Lumen maintenance; Reported L70, L80, L90 > 60,000 hours.
- CRI greater than 80.
- Fixture lumens per watt ratios up to 152.
- UL/CUL Listed 1598.



Fixture type:

Job information:

--	--

L200

ARCHITECTURAL LINEAR PENDANT DIRECT/INDIRECT LED LUMINAIRE

PRODUCT DEFINITION SHEET

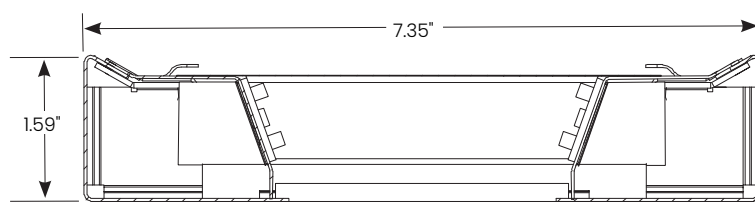
Ex: L200-4-3400-35K-HTA-70/30-1-UNI-EM10



1	2	3	4	5
SERIES	NOMINAL LENGTH	NOMINAL LUMENS	COLOR TEMP-CCT	DIFFUSER
<input type="checkbox"/> L200 Architectural Linear Direct Indirect LED Luminaire	<input type="checkbox"/> 4 48" Length <input type="checkbox"/> 8 96" Length	<input type="checkbox"/> 48"L <input type="checkbox"/> 3400 <input type="checkbox"/> 4800 <input type="checkbox"/> 96"L <input type="checkbox"/> 6800 <input type="checkbox"/> 9600	<input type="checkbox"/> 30K 3000K <input type="checkbox"/> 35K 3500K <input type="checkbox"/> 40K 4000K	<input type="checkbox"/> HTA High Transmission Acrylic

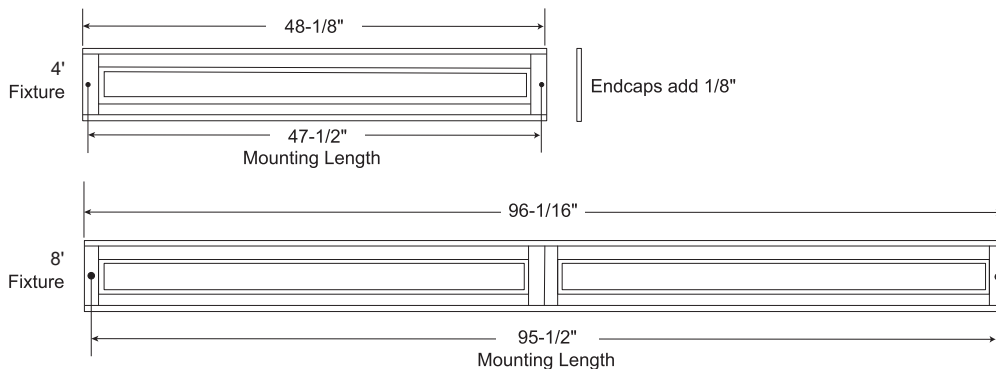
OPTIONS			
6	7	8	9
LIGHT DISTRIBUTION	DRIVER	VOLTAGE	STANDBY MODULES
<input type="checkbox"/> 70/30 Indirect/Direct	<input type="checkbox"/> 1 0-10V 1% Dimming <input type="checkbox"/> - As Specified	<input type="checkbox"/> U Uni 120V-277V	<input type="checkbox"/> EM10 Emergency Battery Pack 10W (Only available for 4ft.) <input type="checkbox"/> EM12 Emergency Battery Pack 12W (Only available for 8ft.) <input type="checkbox"/> NO OPTION

DIMENSIONAL DATA



Lens

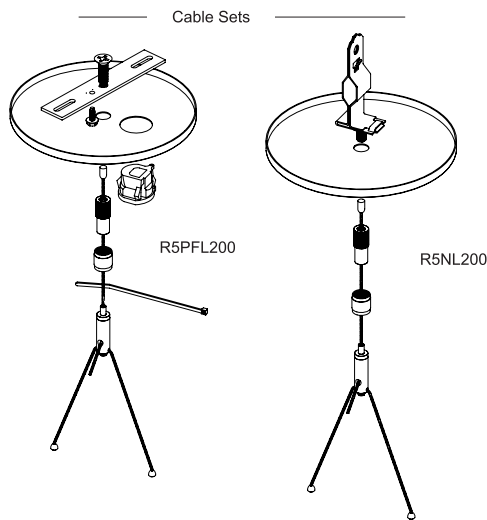
MOUNTING SUPPORT LENGTHS & FIXTURE WEIGHTS



L200

ARCHITECTURAL LINEAR PENDANT DIRECT/INDIRECT LED LUMINAIRE

HANGING ACCESSORIES



PART #	DESCRIPTION
R5PFL200	Round 5" power feed canopy, Hanging hardware, 50" long 1/16" cable, Feed Kit No Cord W/ .875" PF Hole, 4-111 Cable Ties
R5NL200	Round 5" canopy, Hanging hardware, 50" long cable, Non-Feed Kit T-Bar Clip for Drop Ceiling W/ 2-Piece Cable Coupler

LED MODULES

High performance linear configured LED module boards. Compatible with the dimming performance of the LED driver. Color temperature 3500K. 3000K and 4000K also available.

LED DRIVERS

Factory programmable constant current LED power supply. Multiple standard drive current outputs (factory set by Mercury) are cataloged with their corresponding lumen package offerings. Upon request, custom drive current outputs and lumen packages are available. Universal voltage input, 120V-277V, 50HZ-60HZ. Specification grade dimming down to 1% on 0-10V dimming controls.

ACOUSTICAL PANELS

Polyester sound absorbing material 1/2" thick. Noise reduction coefficient (NRC) of .90. Standard colors light, medium and dark gray. Other colors upon request. Matching slim baffles for additional noise reduction.

LED LUMEN PACKAGES

Cataloged standard lumen packages. See attached chart for full details. Custom lumen packages pre-set are optional with programmable drivers only. Contact factory for details.

HOUSINGS

Fabricated from 20 gauge cold rolled steel with a white polyester powder coating finish for long lasting durability. Housing ends are flat 20G welded into place. Sufficient electrical knockouts are provided on the housing back and ends.

DIFFUSER

Extruded from custom formulated high transmission acrylic material.

INSTALLATIONS

May be installed individually or in continuous run applications. Suspended on aircraft grade cable with fully adjustable yoke mount.

CERTIFICATE OF SAFETY COMPLIANCE AND LISTINGS

Luminaire: UL and CUL listed 1598 and bears their label. Suitable for damp locations.

WARRANTY

5-year limited warranty is standard. Special 10-year warranty available on a job-to-job basis. Complete LED warranty terms available at www.mercltg.com. Actual performance may differ as a result of end-user environment and application. Most LED luminaires are suitable to operate in ambient temperatures from -20C (-4F) to 25C (77F). The following exclusions apply: Luminaires with standby lighting option, integral lighting controls options, or wireless control options. Consult factory. LM-79 testing was measured under a controlled 25C (77F) ambient operating temperature.

