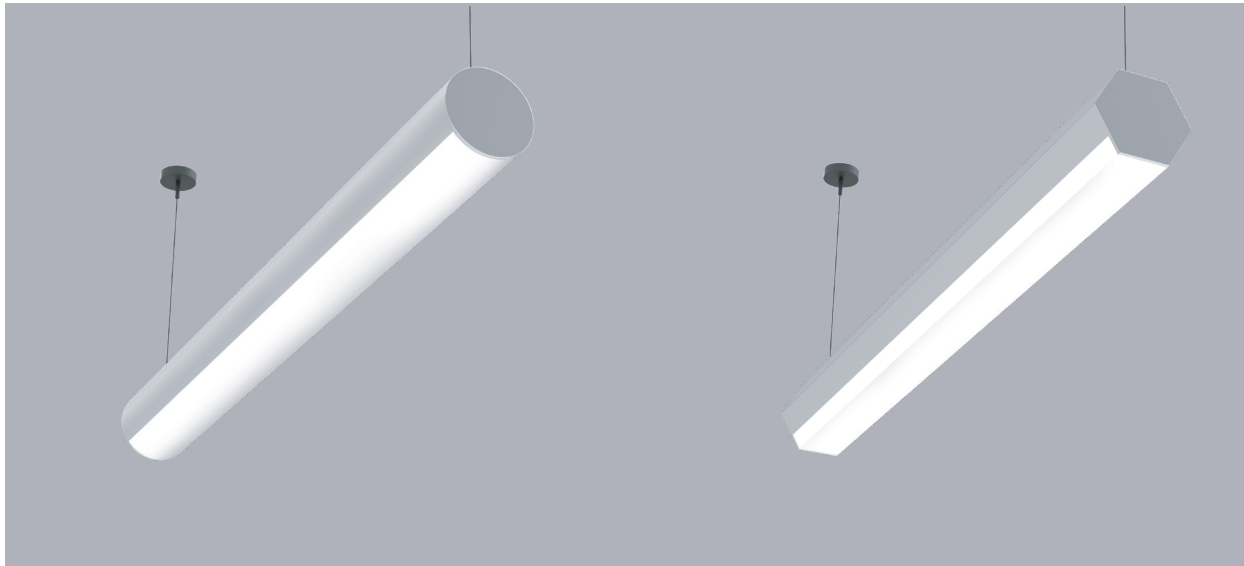
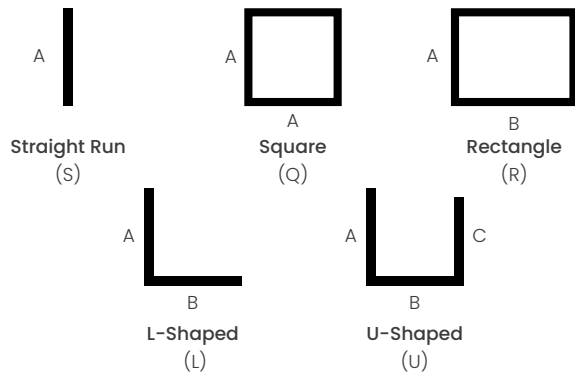


MLC4 / MLH4

SUSPENDED HEXAGONAL & ROUND PROFILE
DIRECT/INDIRECT



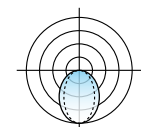
SHAPES/PATTERNS/RUNS



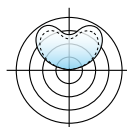
For other shapes/patterns/runs consult the factory.

FEATURES

- Dual directional illumination. Direct downlighting and indirect uplighting.
- Exciting new extruded aluminum housing for perfectly straight lines of light.
- Nominal 4-inch round profile for architectural appeal.
- Custom formulated high diffusion extruded acrylic direct lens completes the bottom of the round circumference.
- Custom designed batwing-type indirect diffuser optimizes the spread of the indirect illumination.
- Linear lengths; 2-ft. and above in increments of one-inch.
- Non-glare matte-white polyester powder coating finish.
- Custom colors available.
- Cable mount from ceiling.
- Cataloged standard or custom set lumens-per-foot performances.
- 80 CRI standard. 90 CRI available.
- Tunable white feature.
- Continuous dimming capability down to 1% on 0-10V controls.
- Fixture lumens per watt ratios up to 129.3.
- Lighting controls and sensors.
- Standard and custom corners.
- American Made.
- Power over Ethernet (PoE) enabled as an Igor Ecosystem Partner, wtec smartengine or Molex CoreSync.
- Tunable white feature for standard system or PoE system.



Direct diffuser
HTA



Indirect diffuser
(Batwing-type)



Fixture type:

Job information:

MLC4 / MLH4

SUSPENDED HEXAGONAL & ROUND PROFILE

DIRECT/INDIRECT



PRODUCT DEFINITION SHEET

Ex: **MLH4-DI-144-S18-825-950-35K-HTA-BW-1-2C-U-EM10-WL-AU**

1	2	3	4	5	6	7	8
9	10	11	12	13	14	15	16

1	2	3	4
SERIES	MOUNTING	LENGTH	SHAPE (ENTER LENGTH IN PRODUCT CODE ABOVE)
<input type="checkbox"/> MLC4 LightStreams ROUND <input type="checkbox"/> MLH4 LightStreams HEX	<input type="checkbox"/> DI Direct/ Indirect Suspended	<input type="checkbox"/> 48 48" Length <input type="checkbox"/> 96 96" Length <input type="checkbox"/> 144 144" Length Custom or Row Length. 24" and above in 1" increments. Ex. in inches: 82, 384, etc.	<input type="checkbox"/> S__ Individual/Straight Run Section (enter length, ex. S18) <input type="checkbox"/> Q__ Square Configuration (enter side length A, ex: Q18) <input type="checkbox"/> R__/_ Rectangular Configuration (enter side lengths A and B, ex. R12/24) <input type="checkbox"/> L__/_ L-Shaped Configuration (enter side lengths A and B, ex. L12/24) <input type="checkbox"/> U__/_/_ U-Shaped Configuration (enter side lengths A, B, and C, ex. U12/12/24)

All corners of shape must be 90°, same plane. Lengths greater than 8' consist of multiple individual housing sections joined together. Lengths are nominal and may vary based on lamping and other specification selections. Consult Mercury when exact lengths are required. Consult factory for corners other than 90°

5	6	7	8	9	10
LUMENS/FT DIRECT	LUMENS/FT INDIRECT	COLOR TEMP-CCT	DIFFUSER DIRECT	DIFFUSER INDIRECT	DRIVER
HTA <input type="checkbox"/> 400 <input type="checkbox"/> 500 <input type="checkbox"/> 625 <input type="checkbox"/> 825 <input type="checkbox"/> 1270 Custom Lumen Packages.	BW <input type="checkbox"/> 400 <input type="checkbox"/> 500 <input type="checkbox"/> 625 <input type="checkbox"/> 825 <input type="checkbox"/> 950 <input type="checkbox"/> 1200	80 CRI <input type="checkbox"/> 30K 3000K <input type="checkbox"/> 35K 3500K <input type="checkbox"/> 40K 4000K <input type="checkbox"/> 50K 5000K Upon request <input type="checkbox"/> TW Tunable White 2700K-6500K 90 CRI <input type="checkbox"/> 927K 2700K <input type="checkbox"/> 930K 3000K <input type="checkbox"/> 935K 3500K <input type="checkbox"/> 940K 4000K	<input type="checkbox"/> HTA High Transmission Acrylic	<input type="checkbox"/> BW Batwing Indirect	<input type="checkbox"/> 1 0-10V 1% Dimming <input type="checkbox"/> IDD 0-10% Dimming Dim to Dark <input type="checkbox"/> eL eldoLED Solo 0.1% <input type="checkbox"/> LDE1 Lutron Hi- Lume <input type="checkbox"/> - As Specified

OPTIONS

11	12	13	14	15	16
CIRCUITING	VOLTAGE	STANDBY MODULES	MISC.	SENSOR READY	LIGHTING CONTROLS
<input type="checkbox"/> 1C Direct + Indirect dim together <input type="checkbox"/> 2C Direct and Indirect controlled independently Contact Mercury for adding additional zones, separated zones/circuits, etc	<input type="checkbox"/> U Uni 120-277V <input type="checkbox"/> 1 120V <input type="checkbox"/> 7 277V Please verify at the time of release if 120V or 277V is required. Although drivers are universal voltage, a specific voltage is required to determine amp draw as well as voltage specific flexes and/or plug thrus as needed.	<input type="checkbox"/> EM10 Emergency Battery 10W <input type="checkbox"/> EM12 Emergency Battery 12W <input type="checkbox"/> NO OPTION Available in modules of 4-ft. and longer.	<input type="checkbox"/> WL UL "Suitable for Wet Locations" labeled <input type="checkbox"/> BABA Consult factory	<input type="checkbox"/> SR Sensor Ready Required for Certain Controls, Contact Mercury Lighting	<input type="checkbox"/> AU Autani <input type="checkbox"/> AVI Avi-On <input type="checkbox"/> CA Casambi <input type="checkbox"/> LV Leviton <input type="checkbox"/> LT Lutron <input type="checkbox"/> NL nLight <input type="checkbox"/> PS Philips/Signify <input type="checkbox"/> WA Wattstopper <input type="checkbox"/> CU Current nx <input type="checkbox"/> NO No option

Consult Mercury Lighting for further information and other options.

Mercury should be notified if the controls are to be Wireless, Networked Lighting Controls, 0-10v Dimming, DMX, etc.

If controls aren't specified, the fixture ships 0-10V, 1% dimming, unified D/I control.

CUSTOM HANGING POINT	CUSTOM PAINT COLORS
<input type="checkbox"/> As Specified	<input type="checkbox"/> As Specified

MLC4 / MLH4

SUSPENDED HEXAGONAL & ROUND PROFILE

DIRECT/INDIRECT



PERFORMANCE

PERFORMANCE - HTA - ROUND PROFILE

Direct Lumens Per Foot	Indirect Lumens Per FT	Direct/Indirect %	Delivered Lumens Total (L)	System Watts (W)	Lumens Per Watt (LPW)
400	400	50/50	3200	25	128.0
	500	45/55	3600	28	128.6
	625	40/60	4100	32	128.1
	825	35/65	4900	39	125.6
	1270	25/75	6680	57	117.2
500	400	55/45	3600	28	128.6
	500	50/50	4000	31	129.0
	625	45/55	4500	35	128.6
	825	40/60	5300	42	126.2
	1270	30/70	7080	60	118.0
625	400	60/40	4100	32	128.1
	500	55/45	4500	35	128.6
	625	50/50	5000	39	128.2
	825	45/55	5800	46	126.1
	1270	35/65	7580	64	118.4
825	400	70/30	4900	38	128.9
	500	65/35	5300	41	129.3
	625	60/40	5800	45	128.9
	825	50/50	6600	52	126.9
	1270	40/60	8380	70	119.7
1270	400	70/30	6680	54	123.7
	500	65/35	7080	57	124.2
	625	60/40	7580	61	124.3
	825	55/45	8380	68	123.2
	1270	50/50	10,160	86	118.1

Actual performance may differ by +/- 5% when operating between 120V-277V +/- 10%. Consult Factory for 90 CRI performances.

Multiplier for other Color Temp (K)

- 3000K 97%
- 3500K 100%
- 4000K 102%
- 5000K 103%



MLC4 / MLH4

SUSPENDED HEXAGONAL & ROUND PROFILE DIRECT/INDIRECT



PERFORMANCE

PERFORMANCE - HTA - HEXAGONAL PROFILE

Direct Lumens Per Foot	Indirect Lumens Per FT	Direct/Indirect %	Delivered Lumens Total (L)	System Watts (W)	Lumens Per Watt (LPW)
400	400	50/50	3200	25	128.0
	500	45/55	3600	28	128.6
	625	40/60	4100	32	128.1
	825	35/65	4900	39	125.6
	1270	25/75	6680	53	126.0
500	400	55/45	3600	28	128.6
	500	50/50	4000	31	129.0
	625	45/55	4500	35	128.6
	825	40/60	5300	42	126.2
	1270	30/70	7080	56	126.4
625	400	60/40	4100	32	128.1
	500	55/45	4500	35	128.6
	625	50/50	5000	39	128.2
	825	45/55	5800	46	126.1
	1270	35/65	7580	60	126.3
825	400	70/30	4900	39	125.6
	500	65/35	5300	42	126.2
	625	60/40	5800	46	126.1
	825	50/50	6600	53	124.5
	1270	40/60	8380	67	125.1
1270	400	75/25	6680	55	121.5
	500	70/30	7080	58	122.1
	625	65/30	7580	62	122.3
	825	60/40	8380	69	121.4
	1270	50/50	10,160	83	122.4

Actual performance may differ by +/- 5% when operating between 120V-277V +/- 10%. Consult Factory for 90 CRI performances.

Multiplier for other Color Temp (K)

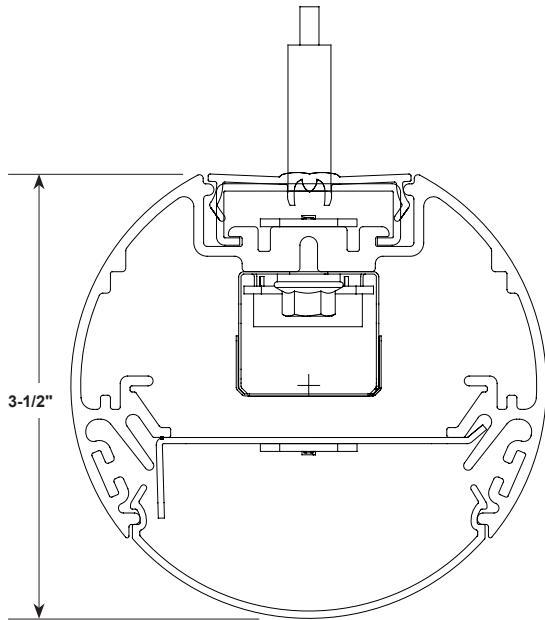
- 3000K 97%
- 3500K 100%
- 4000K 102%
- 5000K 103%



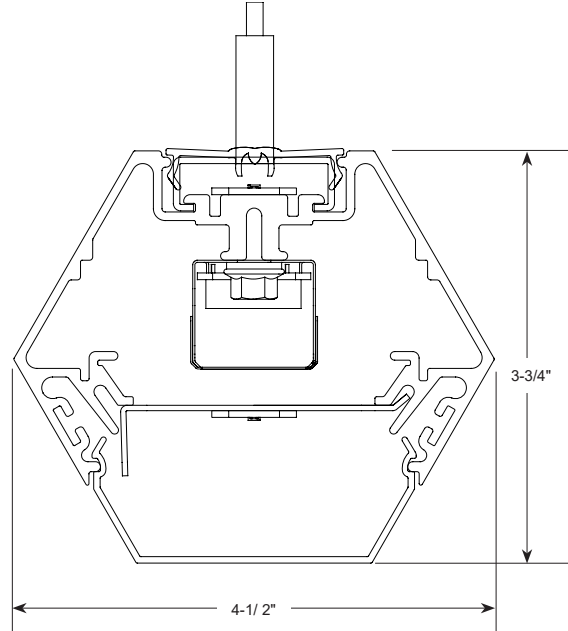
MLC4 / MLH4

SUSPENDED HEXAGONAL & ROUND PROFILE
DIRECT/INDIRECT

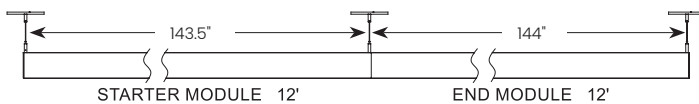
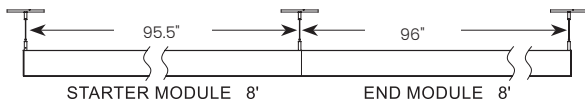
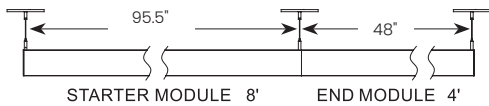
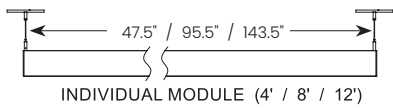
MOUNTING



DI
Direct / Indirect Suspended



DI
Direct / Indirect Suspended

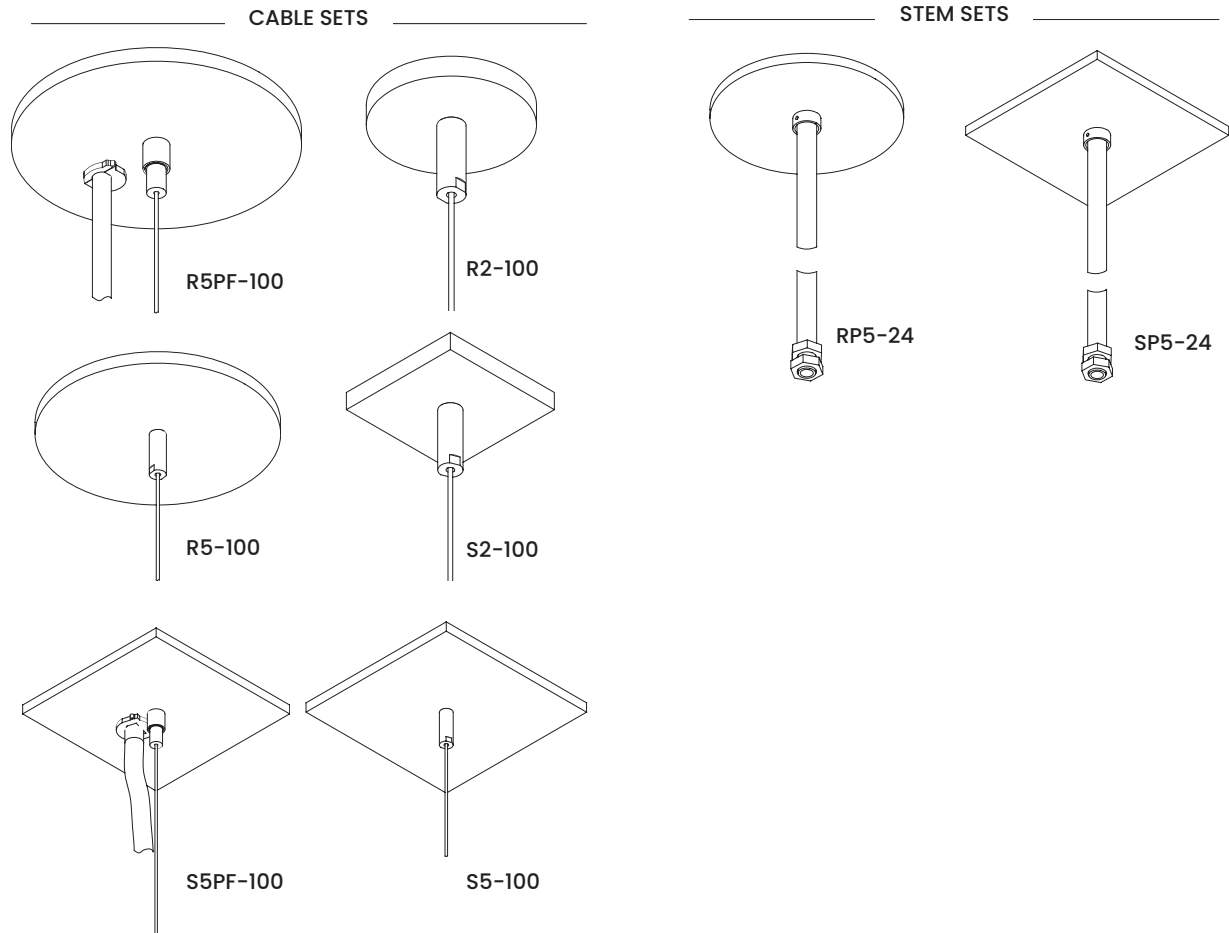


Consult factory for additional row length information

MLC4 / MLH4

SUSPENDED HEXAGONAL & ROUND PROFILE
DIRECT/INDIRECT

HANGING ACCESSORIES



PART #	DESCRIPTION
R5PF-100	Round 5" power feed canopy, Hanging hardware, 100" long 1/16" cable.
R5-100	Round 5" canopy, Hanging hardware, 100" long 1/16" cable.
R2-100	Round 2" canopy, Hanging hardware, 100" long 1/16" cable.
S5PF-100	Round 2" canopy, Hanging hardware, 100" long 1/16" cable.
S5-100	Square 5" canopy, Hanging hardware, 100" long 1/16" cable.
S2-100	Square 2" canopy, Hanging hardware, 100" long 1/16" cable.
RP5-24	Round 5" canopy, Hanging hardware, 24" long 1/2" dia. stem.
SP5-24	Square 5" canopy, Hanging hardware, 24" long 1/2" dia. stem.

Other cable and stem lengths available. Consult factory.

MLC4 / MLH4

SUSPENDED HEXAGONAL & ROUND PROFILE

DIRECT/INDIRECT



HOUSINGS

Extruded aluminum profile in a 0.080-inch wall thickness. Maximum length of each linear component is 12-ft. .060 aluminum ends are provided where needed at row termini. A one-piece 14GA galvanized steel joiner/aligner bracket is provided for each joint between housings. Internal cold-rolled steel components. Inconspicuous cable hanging brackets at the ends. A custom formulated non-glare matte-white polyester powder coating provides an extremely durable and long-lasting finish. Custom color finishes on request.

DIFFUSERS

Seamless fit diffusers. Flawless and consistent end to-end fit. Direct diffuser, perfectly contoured to the circumference of the housing, is extruded from custom formulated high transmission white acrylic material. Allows maximum light transmission while eliminating pixilation and hot spots. Indirect diffuser is a custom extruded batwing type that spreads the light into two distinct side lobes. When projected onto the ceiling the results are a very consistent and wide spread of indirect illumination.

LED MODULES

High performance linear configured LED module boards. Each board consists of multiple mid-power, high efficacy LEDs in a precise layout eliminating the need for supplemental heat sinking. The boards produce an even and diffuse light which maximizes optical efficiency. Compatible with the dimming performance of the LED driver. Color temperatures available 80 CRI: 3000K, 3500K and 4000K. Upon request: 5000K. Color temperatures available 90 CRI: 2700K, 3000K, 3500K and 4000K.

TUNABLE WHITE OPTION

Field tunable range 2700K through 6500K, 80CRI.

PoE NODES BY IGOR

All Igor nodes sized to fit as an integral component. Up to 75W maximum allows for one CAT5E wire per 8-ft. luminaire. Factory programmable for custom drive currents offering desired lumen-per foot performances. Dimmable down to 1%. Nodes compatible with external sensors.

SMARTENGINE

Factory or field programmable for custom drive currents offering desired lumen-per foot performance. Integrated smartsensor or an RJ45 whip for external smartsensor. Tuneable white option available.

MOLEX

CoreSync Smart LED Driver Series. Integrates with the CoreSync PoE Gateway.

LED DRIVERS

Factory programmable constant current LED power supply. Multiple standard drive current outputs (factory set by Mercury) are cataloged with their corresponding lumens-per-foot offering. Upon request, custom drive current outputs and lumens-per-foot options are available. Universal voltage input, 120V-277V, 50HZ-60HZ. Specification grade continuous dimming capability down to 1% on 0-10V dimming controls. Sensor ready (SR) drivers compatible with most lighting controls are optional. Consult factory. Lutron driver available: LDEI series.

STANDBY LIGHTING OPTIONS

Self-contained module, 10W or 12W as specified. Battery backup upon loss of power. Available in modules of 4-ft. and longer.

INTEGRAL LIGHTING CONTROLS

Various lighting controls and sensors are optional. Consult factory.

CORNERS

Standard 90-degree corners for inside or outside turns. Custom angled corners.

INSTALLATIONS

Designed to be suspended on cables. Easy-connect cable hangers make installations easy. Lengths of 12-ft. and less to use one housing with two ends pre-installed. Lengths over 12-ft. will be engineered to job requirements using multiple housings with one end pre-installed at each row end. Lengths over 12-ft. will include appropriate job required quick-connect plug-thru wire harnesses and housing joiners. All individual modules or multiple modules runs to include job required feed wire as specified.

CERTIFICATE OF SAFETY COMPLIANCE AND LISTINGS

Luminaire: UL and CUL listed 1598 and bears their label. Suitable for damp locations.

WARRANTY

5-year limited warranty is standard. Special 10-year warranty available on a job-to-job basis. Complete LED warranty terms available at www.mercltg.com. Actual performance may differ as a result of end-user environment and application. Most LED luminaires are suitable to operate in ambient temperatures from -20C (-4F) to 25C (77F). The following exclusions apply: Luminaires with standby lighting option, integral lighting controls options, or wireless control options. Consult factory. LM-79 testing was measured under a controlled 25C (77F) ambient operating temperature.