

**IMPORTANT INSTALLATION NOTES:**

- FIXTURE TO BE INSTALLED IN ACCORDANCE WITH ALL APPLICABLE CODES BY A QUALIFIED ELECTRICIAN OR OTHER PERSON FAMILIAR WITH THE CONSTRUCTION AND OPERATION OF THIS PRODUCT AND THE HAZARDS INVOLVED.
- INSURE ALL HANGING POINTS ARE IN LINE WITH THE CENTERLINE OF THE FIXTURE RUN. IF THEY ARE NOT PROPERLY ALIGNED, THE RUN WILL NOT HANG STRIAIGHT.
- HANG/MOUNT INDIVIDUAL OR START FIXTURE SECTIONS FIRST. THESE WILL HAVE (2) CABLE SUPPORTS / MOUNTING SLOTS FOR SURFACE MOUNT AND BE SELF SUPPORTING. TAKE CARE TO LEVEL THE FIXTURE AT HIS POINT, ESPECIALLY FOR CONTINUOUS RUNS.
- FOR CONTINUOUS RUNS, HANG/MOUNT EACH SUCCESSIVE SECTION USING (1) ADDITIONAL CABLE SUPPORT/MOUNTING SLOTS AND THE JOINING AND ALIGNING HARDWARE PROVIDED WITH THE FIXTURES, AND LEVEL EACH SECTION WITH THE PREVIOUS ONE.
- \*\*\*DO NOT ATTEMPT TO BOLT FIXTURES TOGETHER AND RAISE THE ASSEMBLED RUN AT ONE TIME. THIS WILL DAMAGE THE INTERNAL BRACKETRY AND PREVENT THE FIXTURES FROM JOINING TIGHTLY, AND WILL VOID THE FIXTURE WARRANTY!\*\*\***
- FOLLOW THE SAME PROCEDURE ABOVE TO INSTALL THE END UNIT.
- RECHECK ALL FIXTURES FOR LEVEL AND INSURE ALL JOINTS ARE TIGHT.
- IF SMALL GAPS OCCUR BETWEEN FIXTURE SECTIONS, APPLY A SMALL AMOUNT OF CAULK BETWEEN SECTIONS AND WIPE OFF EXCESS WITH A DAMP CLOTH.

Project: **TV SERIES/TV MINI SUSPENDED**  
**INSTALLATION INSTRUCTION**

Distributor: \_\_\_\_\_ Type: \_\_\_\_\_

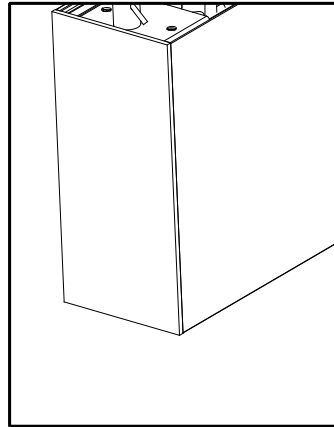
By: \_\_\_\_\_ Date: \_\_\_\_\_ Scale: **NONE**

Dwg. no.: \_\_\_\_\_ Rev. \_\_\_\_\_ Size: **B**

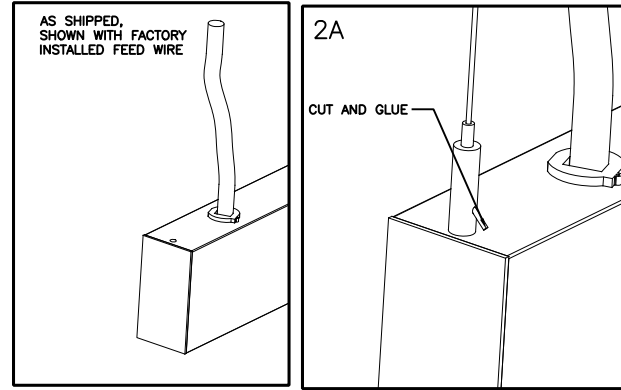


20 Audrey Place Fairfield, NJ 07004 U.S.A.

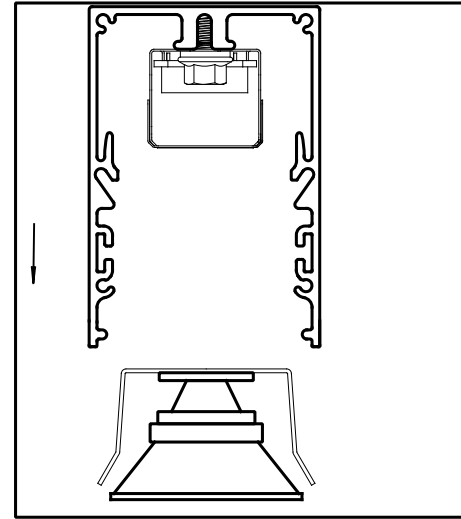
**CATALOG NO:** \_\_\_\_\_



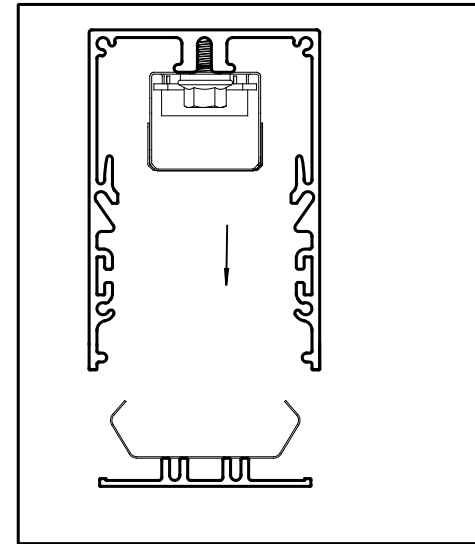
**STEP 1:**  
 -LOCATE ELECTRICAL FEED POINT AND MOUNTING LOCATIONS FOR HANGING CABLES PER CUSTOMER DRAWING.  
 -REFERENCE CUSTOMER DRAWING AND CANOPY OPTIONS  
 -DROP CABLES DOWN FOR HANGING FIXTURES.  
 -REMOVE MODULES FROM EACH 'STARTER', 'MIDDLE' AND 'END' FIXTURE.  
 -MARK EACH MODULE TO CORRESPONDING FIXTURE AND PUT ASIDE TO BE REINSTALLED IN STEP 8.



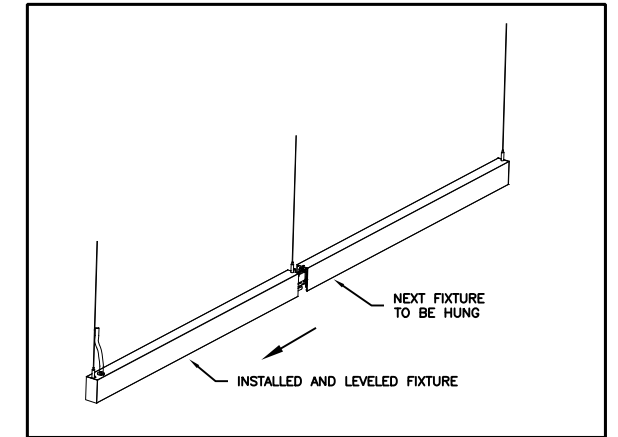
**STEP 2:**  
 -START WITH INDIVIDUAL/STARTER MODULES BY INSERTING AIRCRAFT CABLES INTO CABLE GRIPPERS (2).  
 -ADJUST CABLE UNTIL FIXTURE IS AT CUSTOMER'S SPECIFIED HEIGHT AND LEVEL.  
 -FOR INDIVIDUAL MODULE, GO TO STEP 7.  
 -FOR 'MIDDLE' AND 'END' MODULES, CONTINUE TO NEXT STEP.



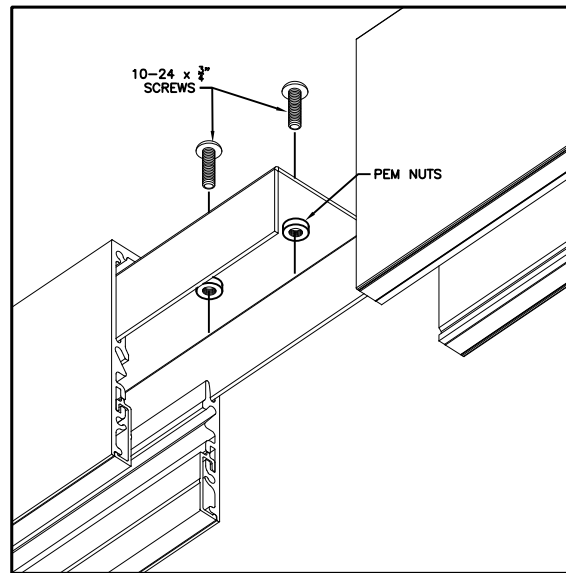
**STEP 3:**  
 3A-REMOVE LOUVER OR END PLATE FROM FIXTURE(S).  
 3B-MARK EACH LOUVER OR END PLATE CORRESPONDING FIXTURE AND PUT ASIDE TO BE REINSTALLED IN STEP 5.



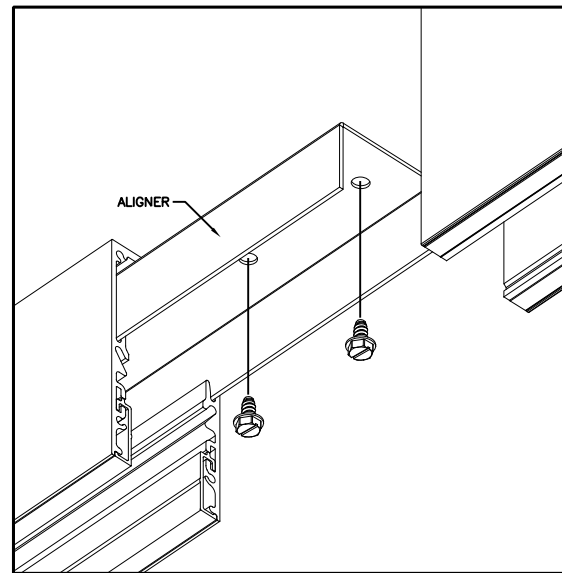
\*END PLATE THAT WOULD BE LOCATED AT ON EACH END OF AN IND FIXTURE OR AT THE END OF THE BEGINING FIXTURE OR END FIXTURE.



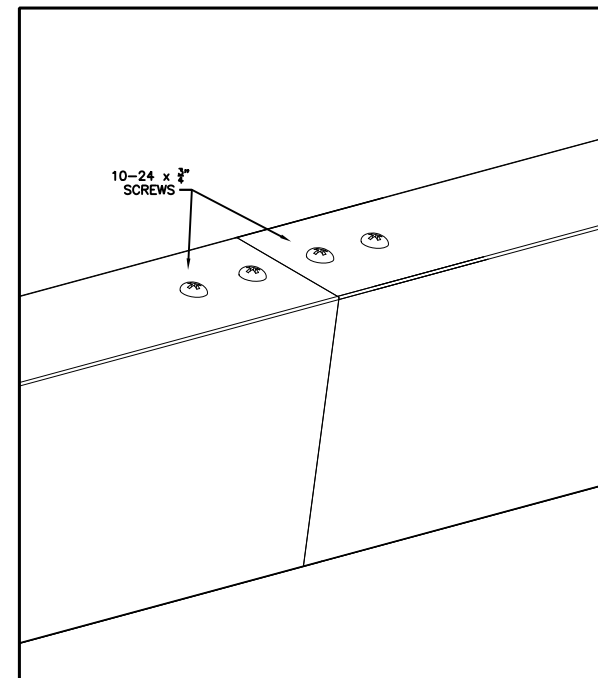
**STEP 4:**  
 -INSERT HANGING CABLE INTO CABLE GRIPPER (1) ON NEXT FIXTURE (MIDDLE OR END).



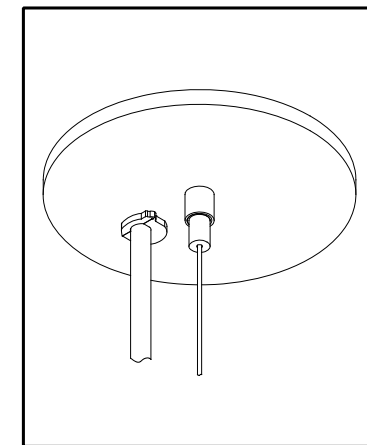
**STEP 5:**  
 -ENGAGE ALIGNER IN START HOUSING WITH NEXT FIXTURE IN RUN AND SLIDE SECTIONS TIGHTLY TOGETHER.  
 \*OPTIAN A: OUTSIDE SCREWS  
 SLOTS IN TOP OF HOUSING AND INTO PEM NUTS IN ALIGNER, THEN TIGHTEN ALL SCREWS.  
 -CONTINUE IN LIKE MANNER UNTIL ALL SECTIONS OF RUN ARE INSTALLED AND SECURED LEVLLING FIXTURES AS RUN IS INSTALLED.



\*OPTIAN B: INSIDE SCREWS



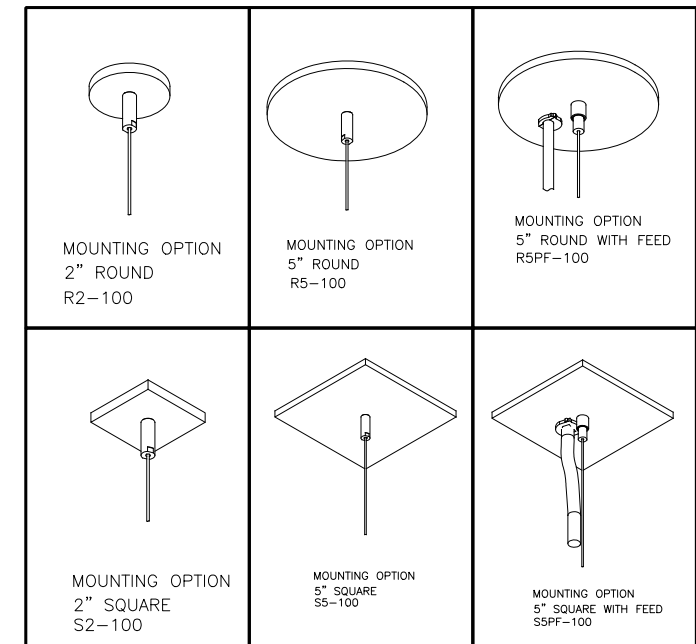
**STEP 6:**  
 -IF SEAMS ARE NOT TIGHT, LOOSEN ALL (4) SCREWS AT JOINT, MAKE CERTAIN HOUSINGS ARE LEVEL AND STRAIGHT, PUSH HOUSINGS TOGETHER AND RE-TIGHTEN SCREWS.



**STEP 7**  
 -MAKE ELECTRICAL CONNECTION TO BUILDING SUPPLY AT CEILING AND RAISE AND SECURE CANOPY.

\*CAUTION- BUILDING POWER SHOULD BE OFF WHEN CONNECTION IS MADE TO FIXTURE.

**STEP 8**  
 -RE-INSTALL MODULES REMOVED FROM STEP 1  
 -ENERGIZE FIXTURES



**CANOPY OPTIONS**