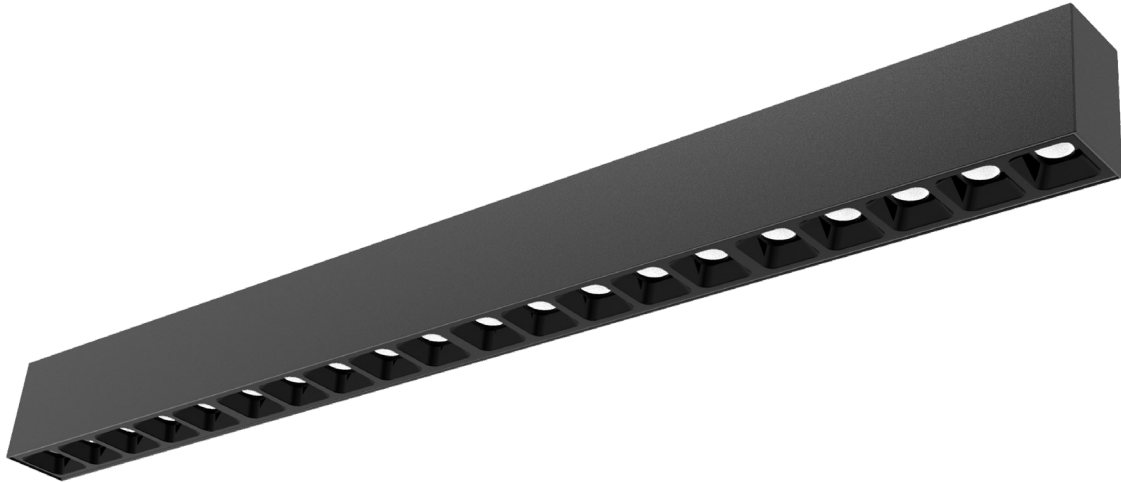


SUSPENDED MOUNT



Made in USA

MATERIAL

Extruded aluminum profile in a 0.080-inch wall thickness.
A one-piece 14GA galvanized steel joiner/aligner bracket is provided for each joint between housings.
Internal cold-rolled steel components.
High diffusion extruded acrylic lens
Non-glare polyester powder coating provides an extremely durable and long lasting finish.

STANDARD COLORS

White / Black

SOURCE INFORMATION

INPUT VOLTAGE 120V-277V, 50HZ-60HZ.

DELIVERING UP TO 75 lumens per Watt

COLOR TEMP 2700/3000/3500/4000K/
Tunable White

CRI 90

CORNERS

Standard and custom corners.

DRIVERS

Factory programmable constant current LED power supply.
Multiple standard drive current outputs (factory set by Mercury) are cataloged with their corresponding lumensperfoot offering.

STANDBY LIGHTING OPTIONS

Self contained module, 7W, 10W or 12W as specified.
Battery backup upon loss of power. Available in modules of 4-ft. and longer. (Limited to 625 Lumens per foot packages).

Fixture type:

Job information:

--	--

TV SERIES

PRODUCT DEFINITION SHEET



1 - 2 - 3 - 4 - 5 - 6
 7 - 8 - 9 - 10 - 11 - 12 - 13

1	2	3	4	5
SERIES	WATTAGE	CHANNEL LENGTH	COLOR TEMP (90 CRI)	LUMENS/FT
<input type="checkbox"/> TV SERIES	<input type="checkbox"/> 6W	<input type="checkbox"/> 22"	<input type="checkbox"/> 27K	<input type="checkbox"/> 440 lm
<input type="checkbox"/> TV MINI			<input type="checkbox"/> 30K	<input type="checkbox"/> 450 lm
			<input type="checkbox"/> 35K	<input type="checkbox"/> 460 lm
			<input type="checkbox"/> 40K	<input type="checkbox"/> 480 lm
			<input type="checkbox"/> TW30K	<input type="checkbox"/> 370 lm
			<input type="checkbox"/> TW40K	<input type="checkbox"/> 500 lm
			<input type="checkbox"/> TW65K	<input type="checkbox"/> 420 lm
		<input type="checkbox"/> 44"	<input type="checkbox"/> 27K	<input type="checkbox"/> 460 lm
			<input type="checkbox"/> 30K	<input type="checkbox"/> 470 lm
			<input type="checkbox"/> 35K	<input type="checkbox"/> 480 lm
			<input type="checkbox"/> 40K	<input type="checkbox"/> 500 lm
			<input type="checkbox"/> TW30K	<input type="checkbox"/> 380 lm
			<input type="checkbox"/> TW40K	<input type="checkbox"/> 510 lm
			<input type="checkbox"/> TW65K	<input type="checkbox"/> 440 lm
		<input type="checkbox"/> 88"	<input type="checkbox"/> 27K	<input type="checkbox"/> 460 lm
			<input type="checkbox"/> 30K	<input type="checkbox"/> 470 lm
			<input type="checkbox"/> 35K	<input type="checkbox"/> 480 lm
			<input type="checkbox"/> 40K	<input type="checkbox"/> 500 lm
			<input type="checkbox"/> TW30K	<input type="checkbox"/> 380 lm
			<input type="checkbox"/> TW40K	<input type="checkbox"/> 510 lm
			<input type="checkbox"/> TW65K	<input type="checkbox"/> 435 lm
		Custom or Row Length. 22" and above in 11" increments. Ex. in inches: 33', 66', 122'		

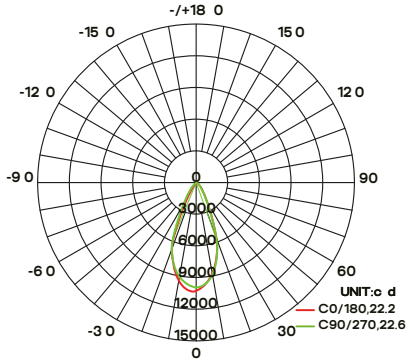
6	7	8	9
BEAM ANGLE	FINISH	MOUNTING	HANGING ACCESSORIES
<input type="checkbox"/> 40°	<input type="checkbox"/> <input type="checkbox"/> W White	<input type="checkbox"/> M Suspended Cable Mount	<input type="checkbox"/> R5PF-100 Round 5" power feed canopy.
<input type="checkbox"/> 60°	<input type="checkbox"/> <input type="checkbox"/> B Black	<input type="checkbox"/> M1 Surface Mount	<input type="checkbox"/> S5PF100 Square 5" power feed canopy.
<input type="checkbox"/> 80°	<input type="checkbox"/> <input type="checkbox"/> C Custom	<input type="checkbox"/> M2 Suspended Stem Mount	<input type="checkbox"/> R5-100 Round 5" canopy.
	Custom powder coat color matching is available for a setup fee.		<input type="checkbox"/> R2-100 Round 2" canopy.
	Consult Mercury Lighting for additional information.		<input type="checkbox"/> S5-100 Square 5" canopy.
			<input type="checkbox"/> S2-100 Square 2" canopy.
			<input type="checkbox"/> RP5-24 Round 5"canopy.
			<input type="checkbox"/> SP5-24 Square 5"canopy.

10	11	12	13
DRIVER	VOLTAGE	STANDBY MODULES	CUSTOM HANGING POINTS
<input type="checkbox"/> 1% 0-10% Dimming	<input type="checkbox"/> UNIV 120V-277V	<input type="checkbox"/> EM7	<input type="checkbox"/> - As Specified
<input type="checkbox"/> 1% DD 0-10% Dimming Dim to Dark	<input type="checkbox"/> 1 120V	<input type="checkbox"/> EM10	
<input type="checkbox"/> SR Sensor Ready*	<input type="checkbox"/> 7 277V	<input type="checkbox"/> EM12	
<input type="checkbox"/> eL eldoLED Solo 0.1%	<input type="checkbox"/> X As Specified	<input type="checkbox"/> NONE	
<input type="checkbox"/> LDE1 Lutron Hi-Lume			
<input type="checkbox"/> - As Specified			

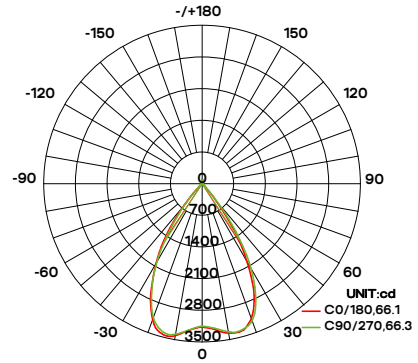
*Required for Certain Controls, Contact Mercury Lighting

TV SERIES

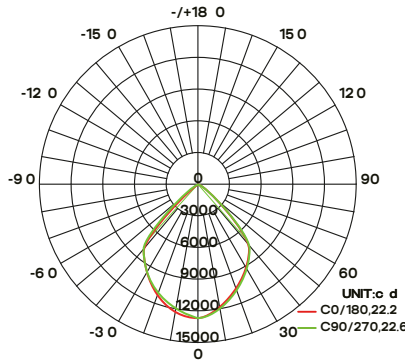
PHOTOMETRICS



AVERAGE BEAM ANGLE(50%): 40 DEG



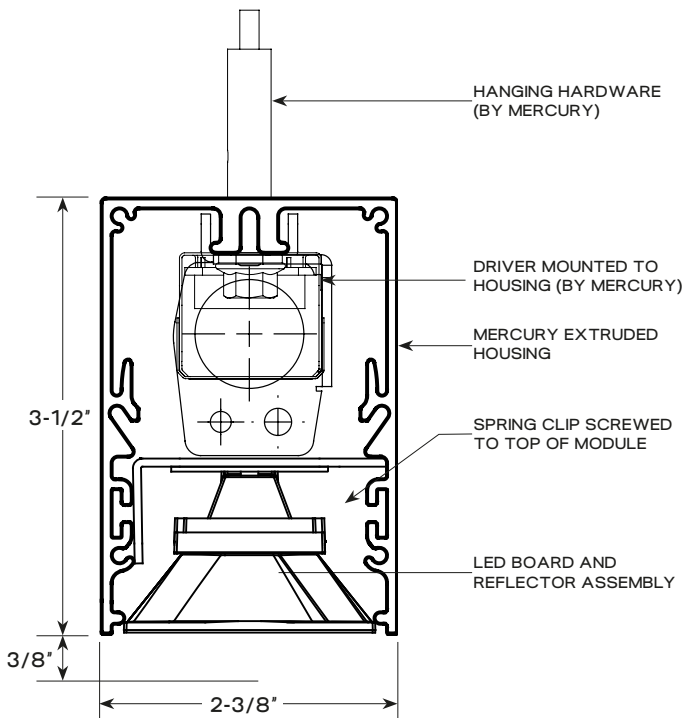
AVERAGE BEAM ANGLE(50%): 66.2 DEG



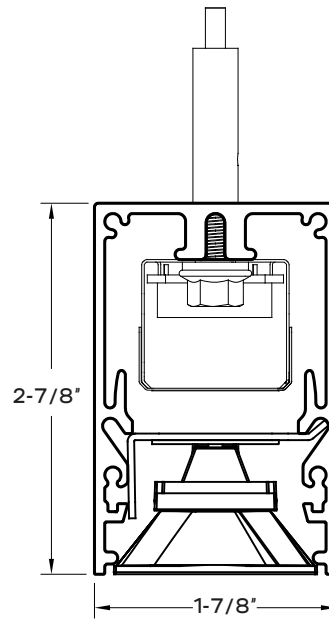
AVERAGE BEAM ANGLE(50%): 80 DEG

DIMENSIONS

TV SERIES

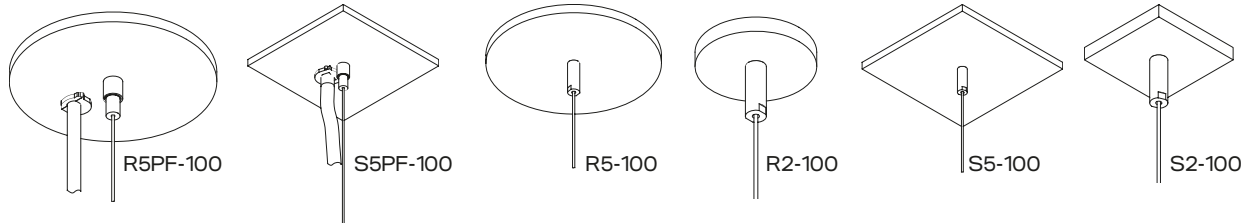


TV MINI

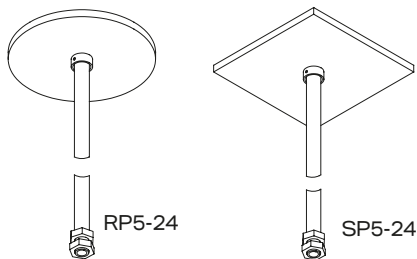


HANGING ACCESSORIES

CABLE SETS



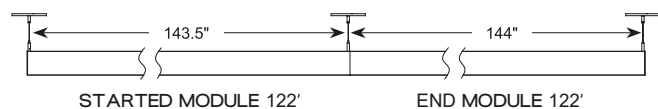
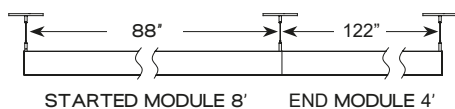
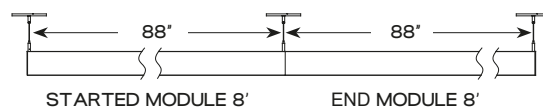
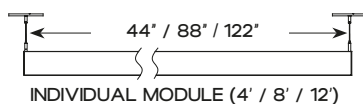
STEM SETS



PART #	DESCRIPTION
R5PF-100	Round 5' power feed canopy, Hanging hardware, 100' long 1/16" cable.
S5PF100	Square 5' power feed canopy, Hanging hardware, 100' long 1/16" cable.
R5-100	Round 5' canopy, Hanging hardware, 100' long 1/16" cable.
R2-100	Round 2' canopy, Hanging hardware, 100' long 1/16" cable.
S5-100	Square 5' canopy, Hanging hardware, 100' long 1/16" cable.
S2-100	Square 2' canopy, Hanging hardware, 100' long 1/16" cable.
RP5-24	Round 5' canopy, Hanging hardware, 24' long 1/2" dia. stem.
SP5-24	Square 5' canopy, Hanging hardware, 24' long 1/2" dia. stem.

Other cable and stem lengths available. Consult factory.

MOUNTING INFORMATION



Consult Mercury Lighting for additional row length information