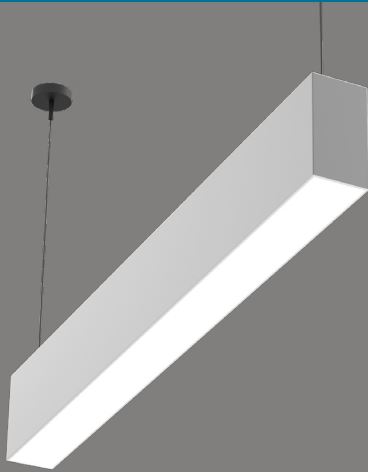


# LIGHTSTREAMS

MLS2-M SERIES ⚡ LIGHTNING PROGRAM

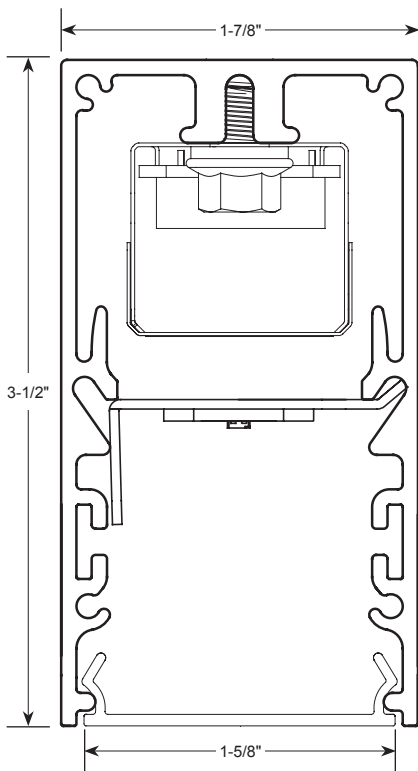
SUSPENDED OR SURFACE MOUNT

Architectural Linear LED Illuminating System | LIGHTSTREAMS 2



## Features

- Extruded aluminum housings produce perfectly straight lines of light.
- Narrow profile; 1-7/8-inch width.
- Linear lengths; 2-ft. and above in increments of one-inch.
- Standard and custom corners, crosses and T-sections offer the ability to design unlimited patterns, shapes and runs.
- Custom formulated high diffusion extruded acrylic lens.
- Non-glare matte-white polyester powder coating finish.
- Cable or stem mount from ceiling, or direct surface mount.
- Cataloged standard or custom set lumens-per-foot performances.
- 80 CRI standard. 90 CRI available.
- Continuous dimming capability down to 1% on 0-10V controls.
- Fixture lumens per watt ratios up to 105.
- Tunable white feature optional.
- Lighting controls and sensors.
- American Made.
- Lightning Program eligible (ships in 15 days or less): See ordering data for options.



## Performance - HTA

Based on 4Ft. Module, 3500K, 80 CRI, HTA diffuser- Signify LV6 LED Boards

Lumens per Foot (LF)	Delivered Lumens (L)	System Watts (W)	Lumens per Watt (LPW)
400	1600	15.2	105
500	2000	19.1	105
625	2500	24.4	102
825	3300	32.9	100
960	3840	39.0	98

Multiplier for other Color Temp (K)

3000K	97%
3500K	100%
4000K	102%
5000K	103%



Actual performance may differ by +/- 5% when operating between 120V-277V +/- 10%. Consult Factory for 90 CRI performances.

## Performance - ASO

Based on 4Ft. Module, 3500K, 80 CRI, ASO diffuser- Signify LV6 LED Boards

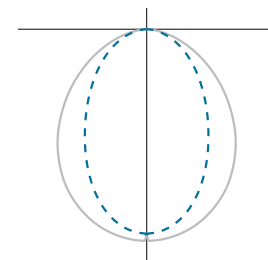
Lumens per Foot (LF)	Delivered Lumens (L)	System Watts (W)	Lumens per Watt (LPW)
400	1600	22.2	72
500	2000	28.4	70
625	2500	36.1	69
670	2680	39.0	69

Multiplier for other Color Temp (K)

3000K	97%
3500K	100%
4000K	102%
5000K	103%



Actual performance may differ by +/- 5% when operating between 120V-277V +/- 10%. Consult Factory for 90 CRI performances.



Fixture Type:  Job Information:

# MLS2-M Series | LIGHTSTREAMS 2

Architectural Linear LED Illuminating System | Suspended or Surface Mount

Ex: MLS2-M-144-825-35K-HTA-1%-U-EM12-S1

Options

Series	Mounting	Module or Row Length	Lumens/ Ft	Color Temp	Diffuser	Driver	Voltage	Standby Modules*	Lighting Controls	Custom Hanging Points
MLS2 LightStreams 2 <b>LP-MLS2</b> Lightning Program	<b>M</b> Suspended Cable Mount <b>M1</b> Surface Mount <b>M2</b> Suspended Stem Mount	<b>48</b> 48" Length	<b>400</b> <b>500</b> <b>625</b>	<b>30K</b> <b>35K</b> <b>40K</b> <b>50K</b> Upon Request	<b>HTA</b> High Transmission Acrylic <b>ASO</b> Acrylic Smooth Opal (Performance is reduced with this diffuser)	<b>1%</b> 0-10% Dimming <b>1% DD</b> 0-10% Dimming Dim to Dark <b>SR</b> Sensor Ready (Required for Certain Controls, Contact Factory) <b>eL</b> eldoLED Solo 0.1% <b>LDE1</b> Lutron Hi-Lume	<b>U</b> Uni 120V-277V <b>1</b> 120V <b>7</b> 277V <b>X</b> As Specified	<b>EM7</b> <b>EM10</b> <b>EM12</b>  No Option	<b>S1</b> Philips EasySense (SNS 210- Blue Tooth) <b>S11</b> Enlighted Micro (SU5ECL) <b>S12</b> Lutron Athena Node (Color-White) <b>S13</b> Lutron Athena Node (Color-Black) <b>S14</b> Lutron Athena Sensor (Color-White) <b>S15</b> Lutron Athena Sensor (Color-Black) <b>017</b> Leviton PIR ZLS05-ILW  No Option	As Specified
		<b>96</b> 96" Length	<b>825</b> <b>960</b>							80 CRI
		<b>144</b> 144" Length	<b>400</b> <b>500</b> <b>625</b> <b>670</b>						Patterns, Shapes, Runs Consult Factory. See page 3	
		Custom or Row Length. 24" and above in 1" increments. Ex. in inches: 82, 384, etc.	Custom Lumen Packages.							MISC.
										WL UL "Suitable for Wet Locations" labeled.

 All options highlighted in BLUE are eligible for **Lightning Program** (same quality product, shipped in 15 days or less)

\*Available in modules of 4-ft. and longer.

## Housings

Extruded aluminum profile in a 0.080-inch wall thickness. Maximum length of each linear component is 12-ft. .060 aluminum ends are provided where needed at row termini.

A one-piece 14GA galvanized steel joiner/aligner bracket is provided for each joint between housings.

Internal cold-rolled steel components.

Standard or custom hanging points are provided.

A custom formulated non-glare matte-white polyester powder coating provides an extremely durable and long lasting finish.

Custom color finishes on request.

## Diffusers

Seamless fit diffusers. Flawless and consistent end-to-end fit.

Mitered at all corners.

**HTA diffuser:** extruded from custom formulated high transmission white acrylic material. Specify when the highest performance levels are required.

**ASO diffuser:** extruded from custom formulated smooth opal acrylic material. Specify when a more esthetically white appearance is desired.

Smooth finish on both diffusers compliments the architectural elements.

## LED Modules

High performance linear configured LED module boards. Each board consists of multiple mid-power, high efficacy LEDs in a precise layout eliminating the need for supplemental heat sinking.

The boards produce an even and diffuse light which maximizes optical efficiency.

Compatible with the dimming performance of the LED driver.

Color temperatures available 80 CRI: 3000K, 3500K and 4000K. Upon request: 5000K.

Color temperatures available 90 CRI: 2700K, 3000K, 3500K and 4000K.



## Tunable White Option

Field tunable range 2700K through 6500K. 80CRI.

## LED Drivers

Factory programmable constant current LED power supply.

Multiple standard drive current outputs (factory set by Mercury) are cataloged with their corresponding lumens-per-foot offering. Upon request, custom drive current outputs and lumens-per-foot options are available.

Note: Certain cataloged lumens-per-foot offerings may be provided with a non-programmable constant current LED power supply at Mercury's discretion. Contact factory if critical.

Universal voltage input, 120V-277V, 50HZ-60HZ.

Continuous dimming capability down to 1%-standard.

0.1% available upon request.

Dim to Dark option available upon request.

Sensor ready (SR) drivers compatible with most lighting controls are optional. Consult factory.

Lutron drivers available: LDE1 series.

## Standby Lighting Options

Self contained module, 7W, 10W or 12W as specified.

Battery backup upon loss of power. Available in modules of 4-ft. and longer.

## Integral Lighting Controls

Various lighting controls and sensors are optional. Consult factory.

## Corners and Patterns

Standard 90-degree corners.

Custom angled corners, crosses and T-sections. Consult factory.

## Installations

Designed to be suspended on cables. Specify **M**

For direct surface mounting to most ceiling types, specify **M1** and consult factory.

For stem mounting specify **M2** and consult factory.

Lengths of 12-ft. and less to use one housing with two ends pre-installed.

Lengths over 12-ft. will be engineered to job requirements using multiple housings with one end pre-installed at each row end.

Lengths over 12-ft. will include appropriate job required quick-connect plug-thru wire harnesses and housing joiners.

All individual modules or multiple module runs to include job required feed wire as specified.

Standard or custom hanging points will be provided per job specifications.

**Certificate of Safety Compliance and Listings**  
Luminaire: UL and CUL listed 1598 and bears their label. Suitable for damp locations.

Optional: Suitable for wet locations marking is available. Some limitations apply. Contact factory for all details.

## Lightning Program

Same quality product, shipped in 15 days or less (if drawings are required, 15 days or less starts after drawings are released).

Entire order must qualify for **Lightning Program** in order to meet freight charges. Please contact our sales team if unsure your order will qualify.

Options highlighted in Blue, 500 linear feet or less, are eligible for quick ship **Lightning Program**.

Relates to straight runs ONLY.

Other variations not highlighted in blue may be available under **Lightning Program**. Please consult factory.

Specify **LP-MLS2** when placing order if you would like to use **Lightning Program**.

## Warranty

5-year limited warranty is standard. Special 10-year warranty available on a job-to-job basis. Complete LED warranty terms available at [www.mercltg.com](http://www.mercltg.com).

Actual performance may differ as a result of end-user environment and application.

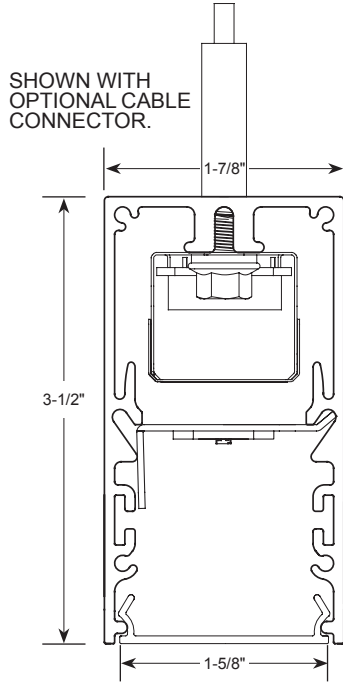
Most LED luminaires are suitable to operate in ambient temperatures from -20C (-4F) to 25C (77F).

The following exclusions apply: Luminaires with standby lighting option, integral lighting controls options, or wireless control options.

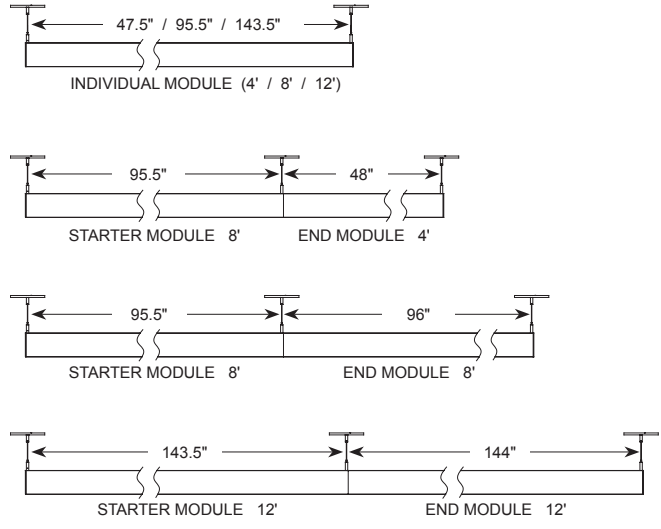
Consult factory.

LM-79 testing was measured under a controlled 25C (77F) ambient operating temperature.

**Dimensional Data**

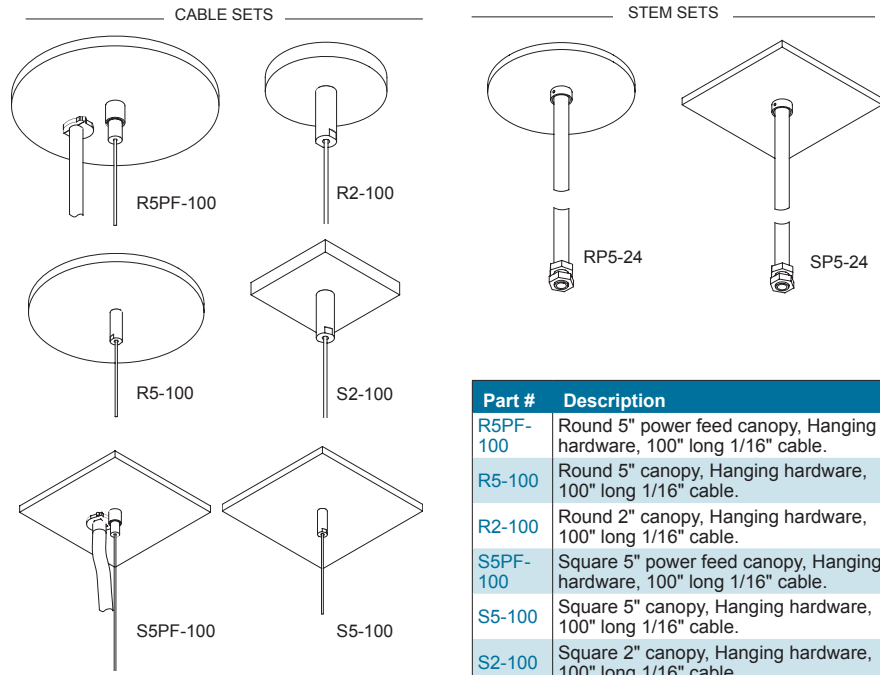


**Mounting Information**



Consult factory for additional row length information

**Hanging Accessories**



Part #	Description
R5PF-100	Round 5" power feed canopy, Hanging hardware, 100" long 1/16" cable.
R5-100	Round 5" canopy, Hanging hardware, 100" long 1/16" cable.
R2-100	Round 2" canopy, Hanging hardware, 100" long 1/16" cable.
S5PF-100	Square 5" power feed canopy, Hanging hardware, 100" long 1/16" cable.
S5-100	Square 5" canopy, Hanging hardware, 100" long 1/16" cable.
S2-100	Square 2" canopy, Hanging hardware, 100" long 1/16" cable.
RP5-24	Round 5" canopy, Hanging hardware, 24" long 1/2" dia. stem.
SP5-24	Square 5" canopy, Hanging hardware, 24" long 1/2" dia. stem.

Other cable and stem lengths available. Consult factory.

**Patterns, Shapes, Runs**

