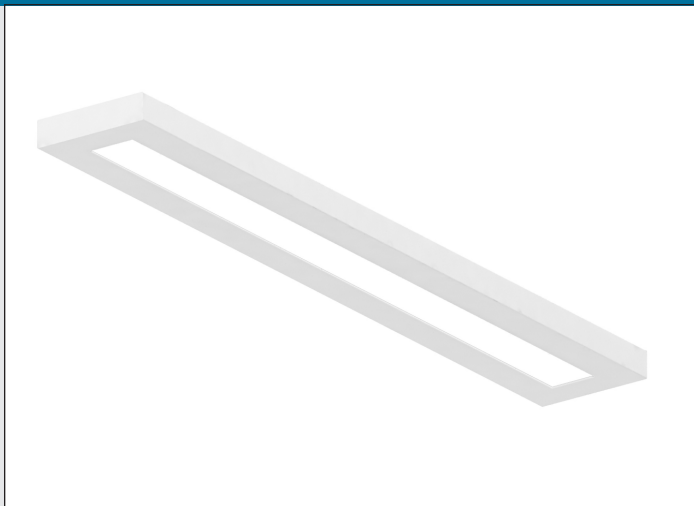


L200 SERIES

Architectural Linear Pendant Direct Indirect LED Luminaire

Architectural Linear LED Illuminating System



Features

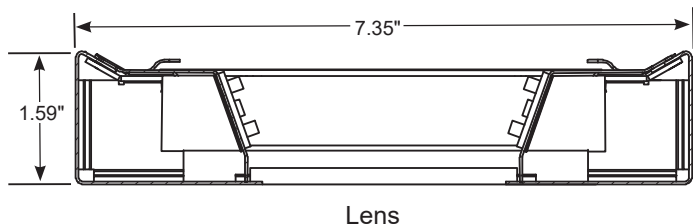
- Low profile linear ambient LED luminaire.
- Dual directional illumination. Direct downlighting and indirect uplighting.
- Configured for individual or continuous runs.
- Designed with clean, straight lines making it a great choice for your lighting projects in open and private offices, educational facilities, retail or other applications.
- 4Ft. or 8Ft. long modules.
- Digital LED technology provides high efficacy and energy efficiency.
- Lumen maintenance; Reported L70, L80, L90 > 60,000 hours.
- CRI greater than 80.
- Fixture lumens per watt ratios up to 152.
- UL/CUL Listed 1598.
- DLC Standard Only for Limited Lumen Packages
- Made in USA.



LUMEN PACKAGE

Series	Nominal Length (FT)	Nominal Lumen Package	Color	Lumens	Fixture Power (W)	Fixture LPW	DLC
L200	4	3400	3000K	3383	23.9	141	✓
		3400	3500K	3417	23.9	143	✓
		3400	4000K	3625	23.9	152	✓
	8	6800	3000K	4753	33.8	141	✓
		6800	3500K	4821	33.8	143	✓
		6800	4000K	5026	33.8	149	✓
	9600	9600	3000K	9505	67.6	141	✓
		9600	3500K	9635	67.6	143	✓
		9600	4000K	10,052	67.6	149	✓

Actual wattage may differ by +/- 5% when operating between 120V-277V +/- 10%.



Fixture Type:	Job Information:
---------------	------------------

L200 SERIES

Ex: L200-4-3400-35K-HTA-70/30-1%-UNI

Options

L200			35K	HTA	70/30		UNI	
Series	Nominal Length (Ft.)	Nominal Lumens	Color Temp	Diffuser	Light Distribution	Driver	Voltage	Standby Modules*
L200 Architectural Linear Direct Indirect LED Luminaire	4 48" Length	48"L 3400 4800	30K 35K 40K	HTA High Transmission Acrylic	70/30 Indirect/Direct	1% 0-10V 1% Dimming	UNI 120V-277V	EM7 EM10** EM12
	8 96" Length	96"L 6800 9600						
						As Specified		

*8 ft. Fixtures only
 **Only 10W available for 4ft.

LED MODULES:

- High performance linear configured LED module boards.
- Compatible with the dimming performance of the LED driver.
- Color temperature 3500K.
- 3000K and 4000K also available.

LED DRIVERS:

- Factory programmable constant current LED power supply.
- Multiple standard drive current outputs (factory set by Mercury) are cataloged with their corresponding lumen package offerings. Upon request, custom drive current outputs and lumen packages are available.
- Universal voltage input, 120V-277V, 50HZ-60HZ.
- Specification grade dimming down to 1% on 0-10V dimming controls.

LED LUMEN PACKAGES:

- Cataloged standard lumen packages. See attached chart for full details.
- Custom lumen packages pre-set are optional with programmable drivers only. Contact factory for details.

HOUSING:

- Fabricated from 20 gauge cold rolled steel with a white polyester powder coating finish for long lasting durability.
- Housing ends are flat 20G welded into place.
- Sufficient electrical knockouts are provided on the housing back and ends.

DIFFUSER:

- Extruded from custom formulated high transmission acrylic material.

INSTALLATIONS:

- May be installed individually or in continuous run applications.
- Suspended on aircraft grade cable with fully adjustable yoke mount.

CERTIFICATE OF SAFETY COMPLIANCE AND LISTINGS:

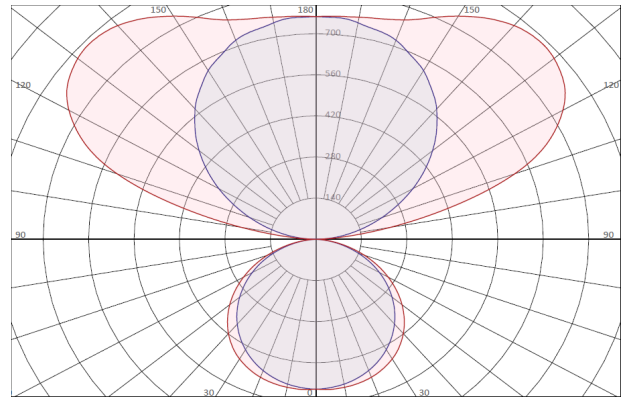
- Luminaire: UL and CUL listed 1598 and bears their label. Suitable for damp locations.

WARRANTY:

- 5-year limited warranty is standard.
- Actual performance may differ as a result of end-user environment and application.
- Most LED luminaires are suitable to operate in ambient temperatures from -20C (-4F) to 25C (77F).
- The following exclusions apply: Luminaires with standby lighting option, integral lighting controls options, or wireless control options. Consult factory.
- LM-79 testing was measured under a controlled 25C (77F) ambient operating temperature.



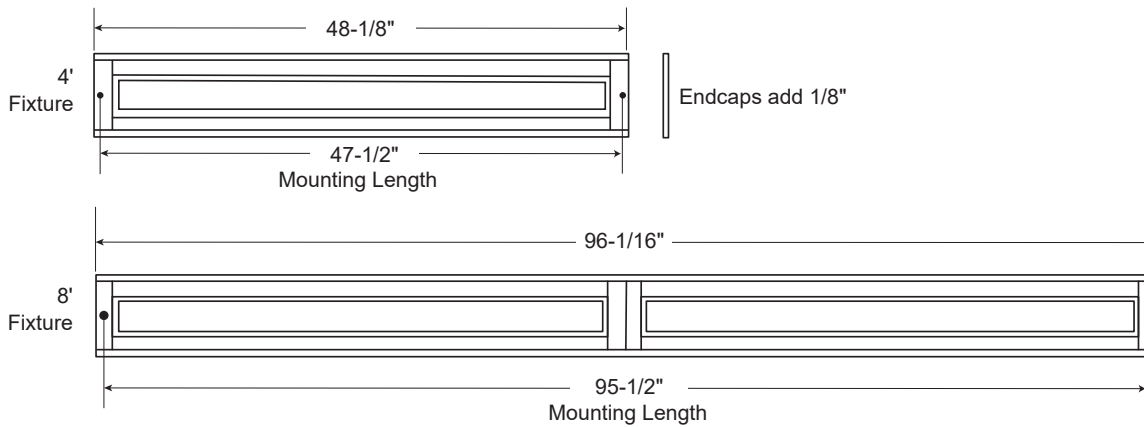
L200 SERIES



PHOTOMETRICS

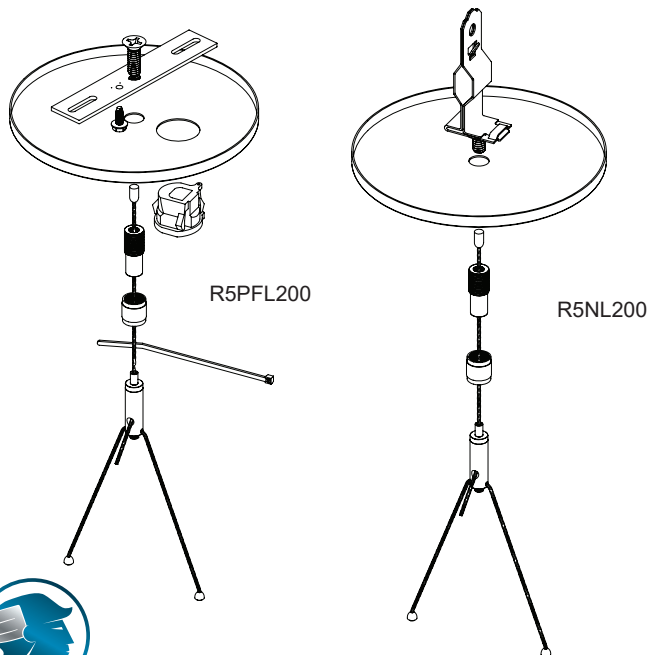
All photometric reports are available at mercltg.com.

MOUNTING SUPPORT LENGTHS & FIXTURE WEIGHTS



Hanging Accessories

Cable Sets



Part	Description
R5PFL200	Round 5" power feed canopy, Hanging hardware, 50" long 1/16" cable, Feed Kit No Cord W/ .875" PF Hole, 4-111 Cable Ties
R5NL200	Round 5" canopy, Hanging hardware, 50" long cable, Non-Feed Kit T-Bar Clip for Drop Ceiling W/ 2-Piece Cable Coupler

