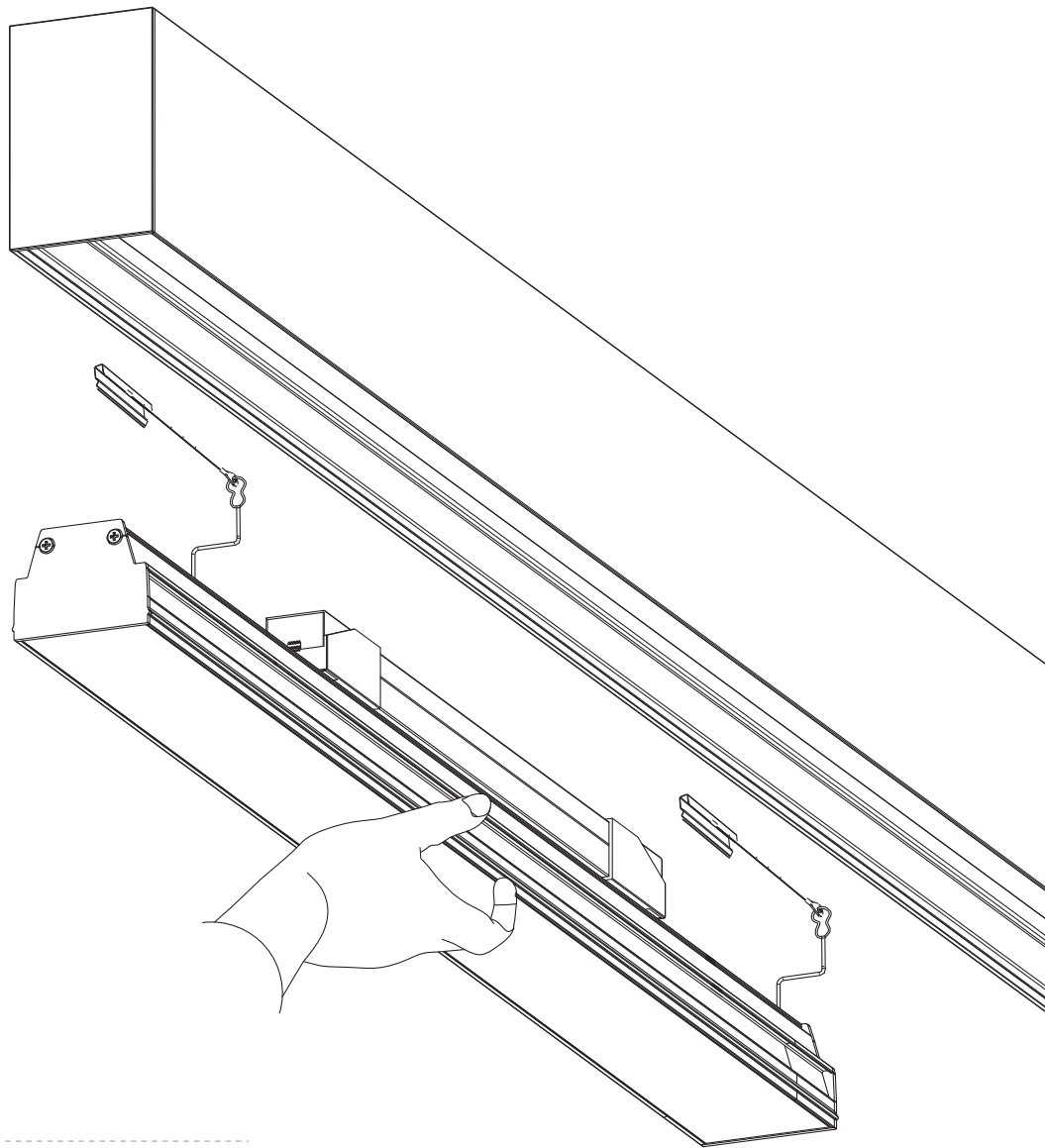


FLEX LV

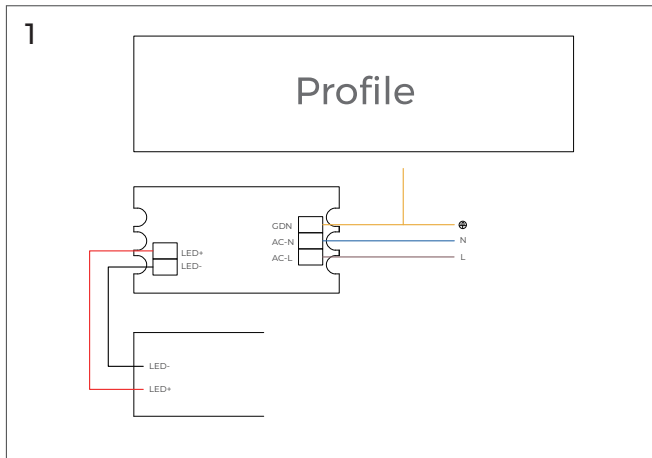
— User Manual



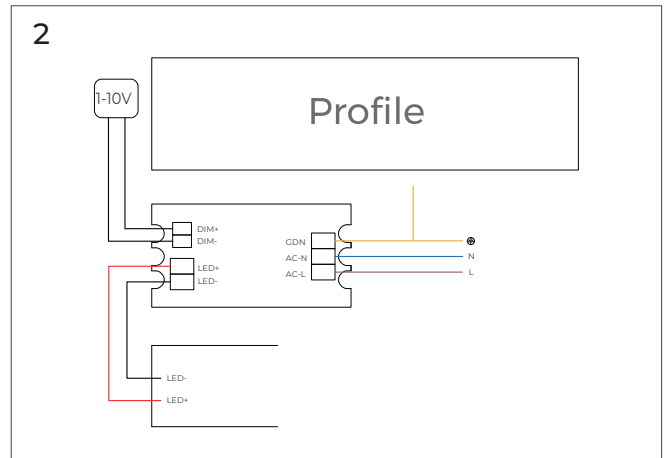
Use Suggestion

1. Please read this manual carefully before installation and use it in the correct way.
2. This manual also contains the attached instructions.
3. Please keep this manual properly after reading and understanding it, so that the owner of this product can refer to it at any time.

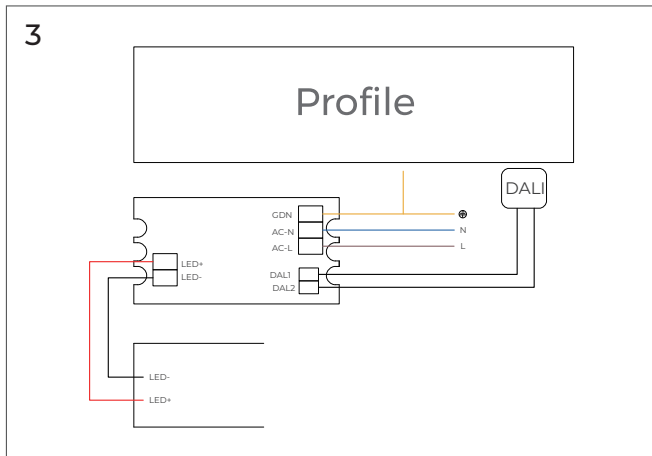
1. Single Lamp (Electrical) Operating Manual



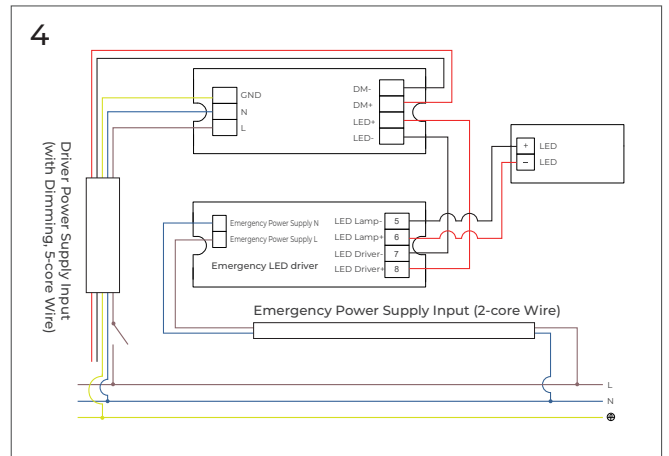
1. Non-dimming Wiring Instructions



2. 1-10V Wiring Instructions

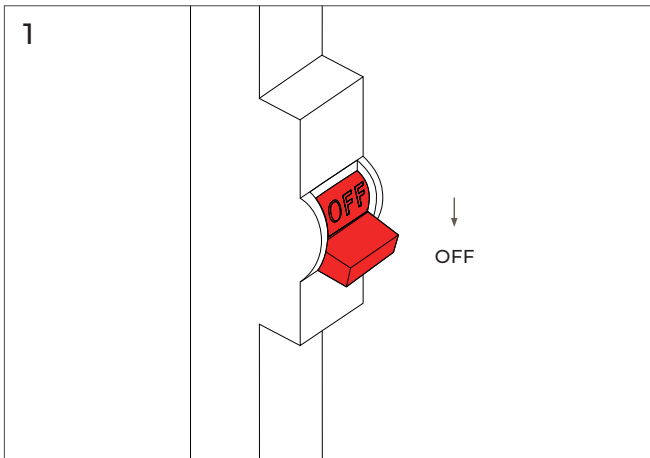


3. DALI Dimming Wiring Instructions



4. Emergency Wiring Instructions

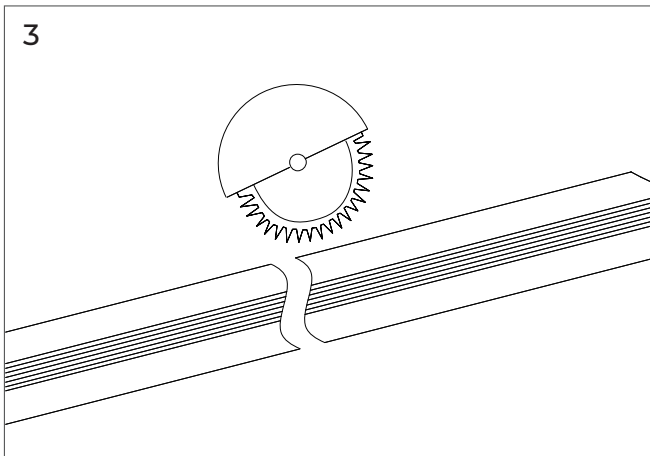
2.Pre-processing of profiles



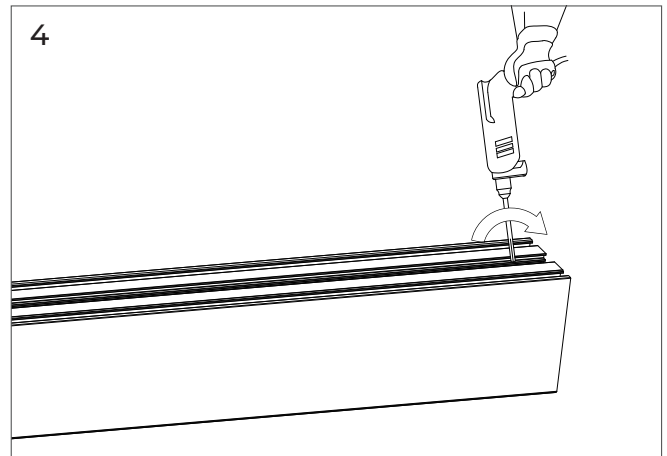
1. Turn off the main switch.

	-Opal Lens -Micro Prismatic -Honeycomb Louver -Blade Louver -Asymmetric -Symmetric	Parabolic Louver	Cylinder Insert & Double Cylinder Insert	Triple Cylinder Insert
2 ft	23 5/8"	22 1/2"	11 3/4"	16 7/8"
4 ft	47 1/16"	44 7/8"		
6 ft	70 9/16"			
8 ft	94"	89 5/8"		

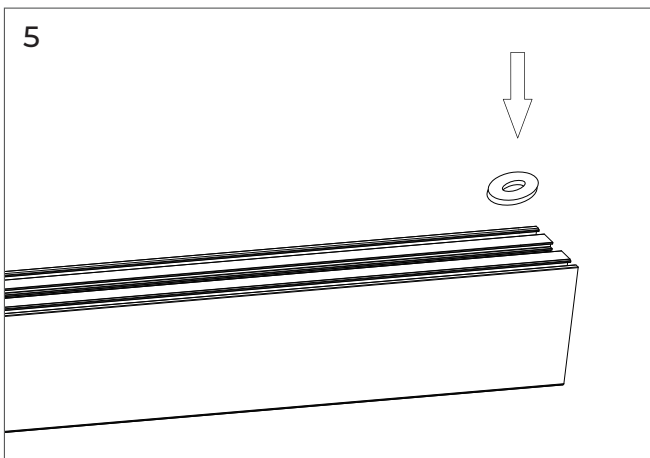
2. Calculate the required length of the profile according to the table.



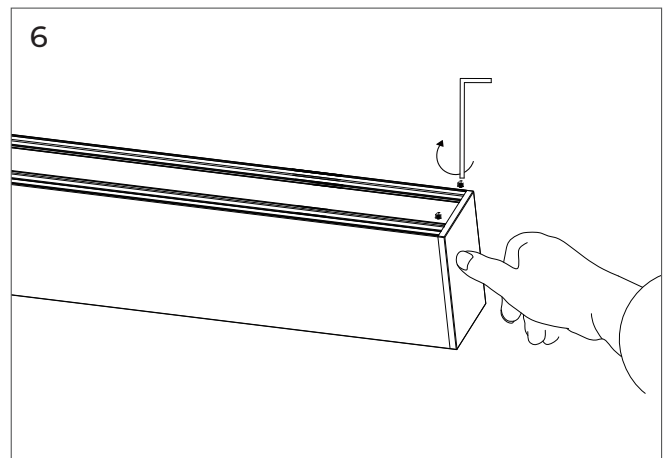
3. Cut profiles of corresponding lengths based on the total length calculated by the module.



4. Drill a hole with a diameter of 10mm on the side according to the position where the wire needs to go out.

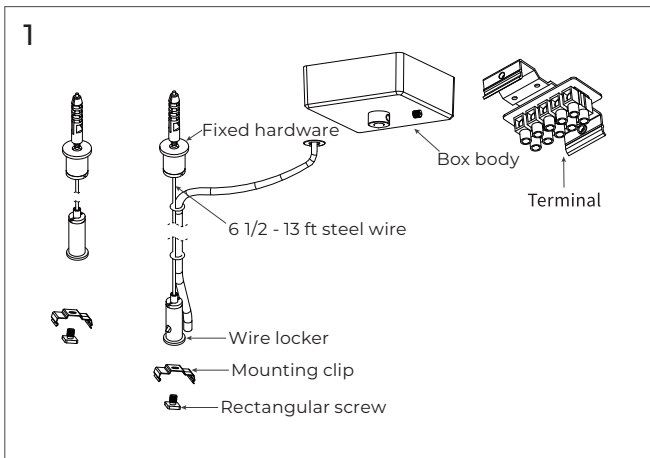


5. Install the cable grommet where you just drilled the holes.

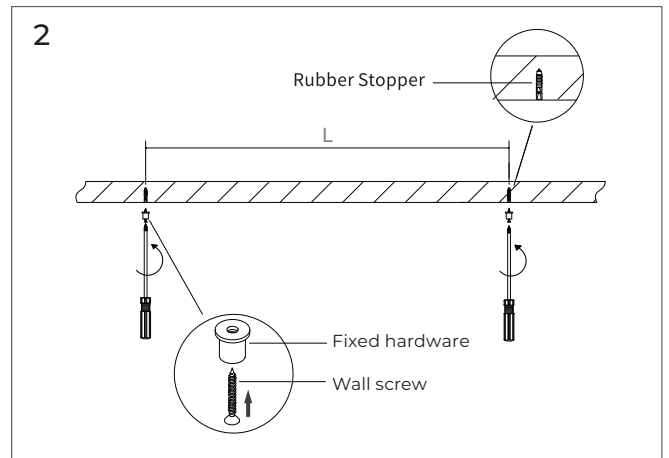


6. On the incoming end, press down on the end cap and screw on the plug hexagon socket at the inner side of end cap to secure it.

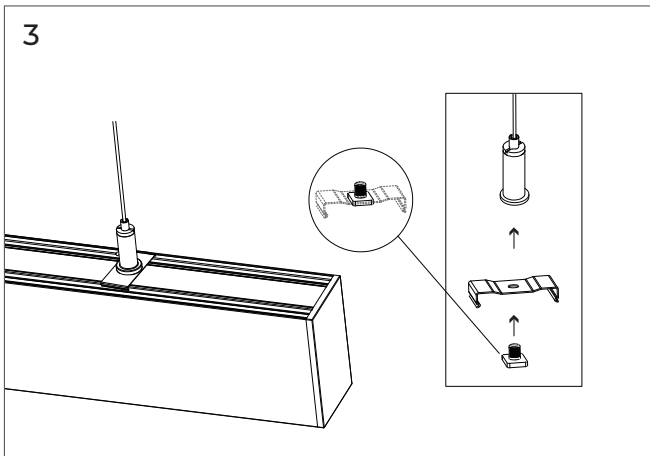
3. Pendant



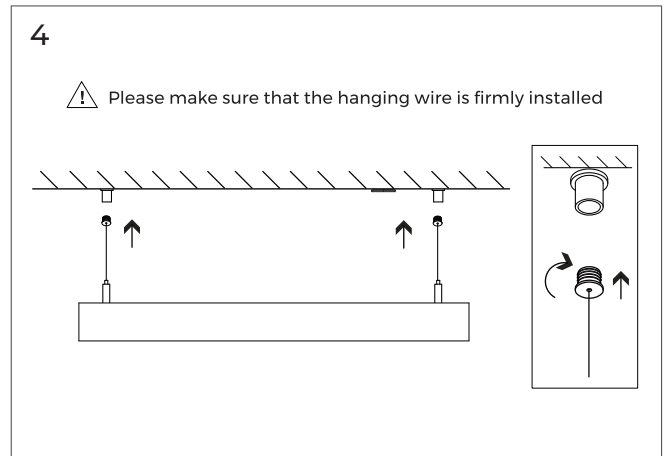
1. Prepare the necessary accessories for installation.



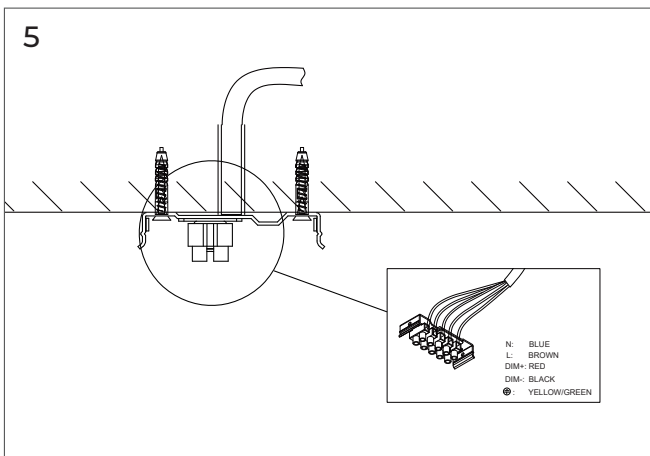
2. Select the appropriate length L, drive the expansion sleeve into the corresponding position, and fix the lifting hardware accessories.



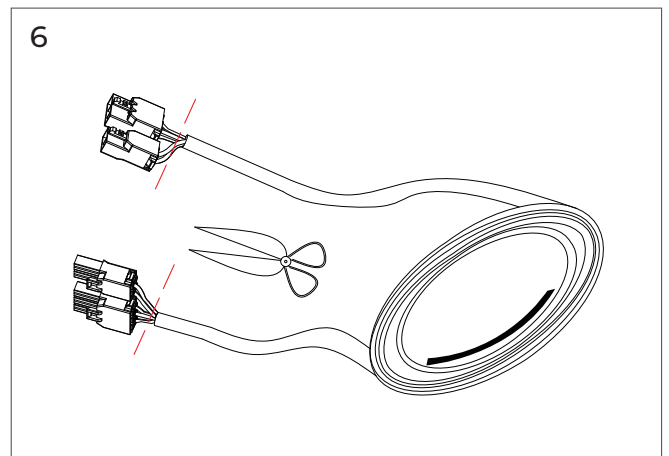
3. Tighten the other end of the cable and fix it on the clip, and then fix the clip on the profile.



4. Connect the hanging wire to the corresponding locations in the ceiling.

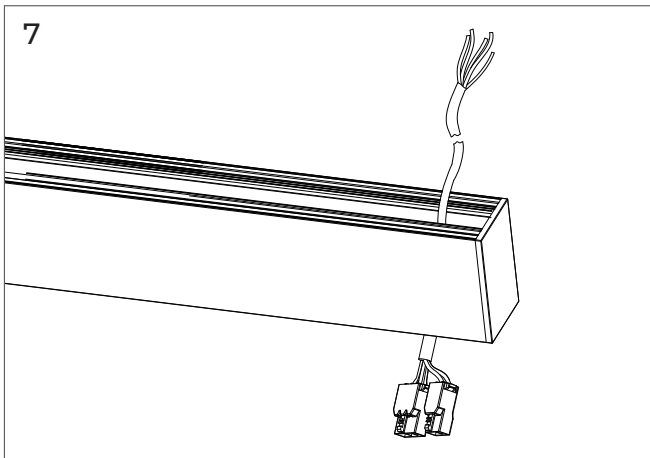


5. Secure the internal components of the junction box and connect the wires according to the instructions.

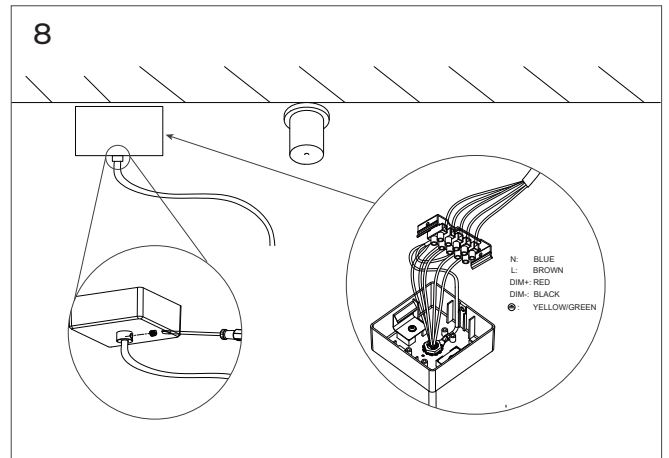


6. According to the terminal on the luminaire, cut off the unnecessary end of the power cord, then peel 10mm of it and dip tin.

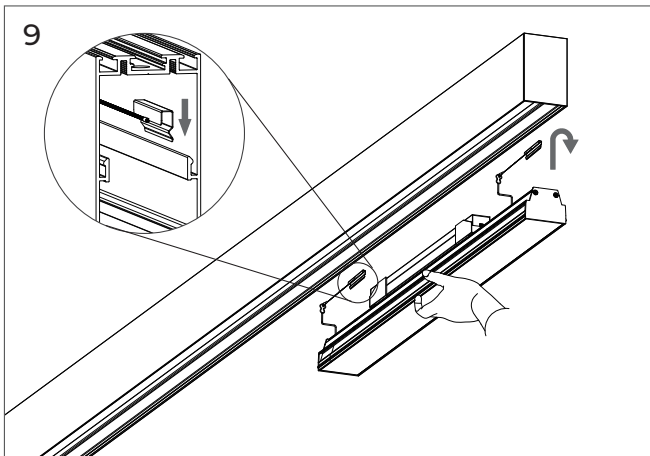
3.Pendant



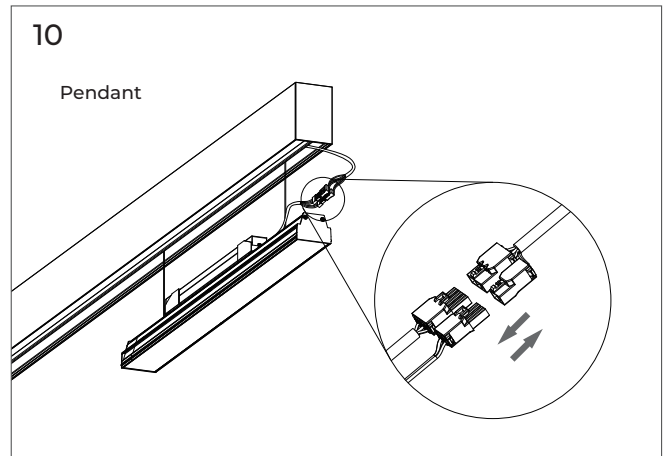
7. Thread the power cord through the hole drilled in the profile.



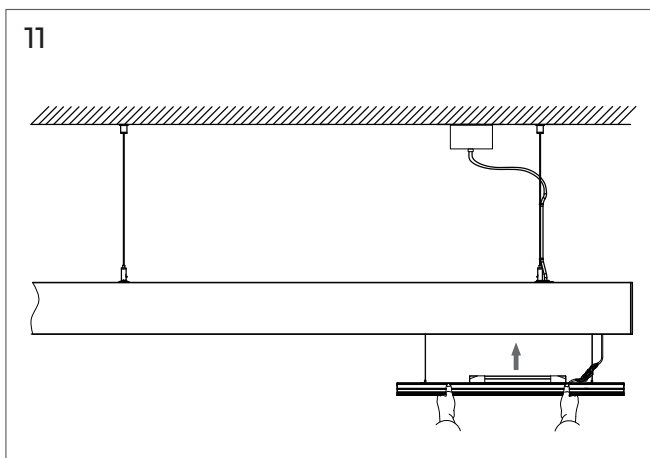
8. Install the power cable into the junction box and connect it, locking the junction box.



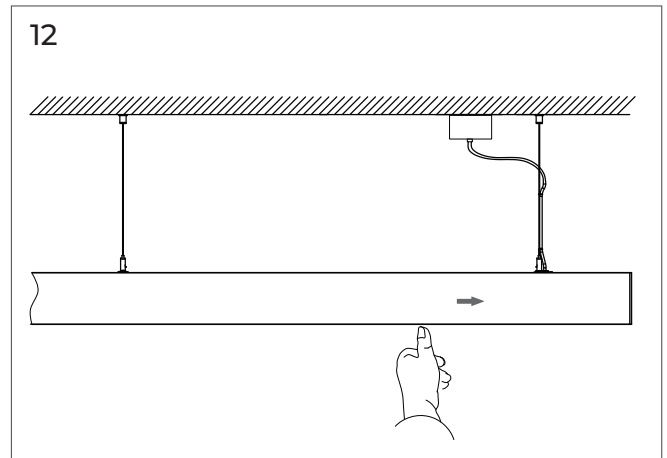
9. Hold the module with one hand and hang the safety rope with the other.



10. Refer to the wiring diagram to connect the power, and pair up the male and female plugs.

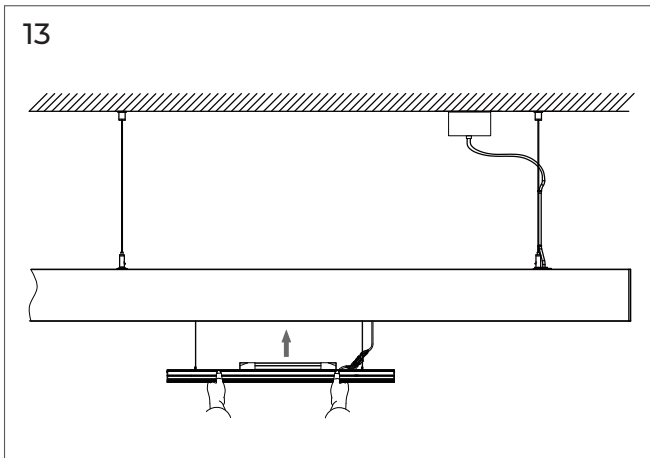


11. Plug the terminal into the profile and snap the module upwards into the profile.

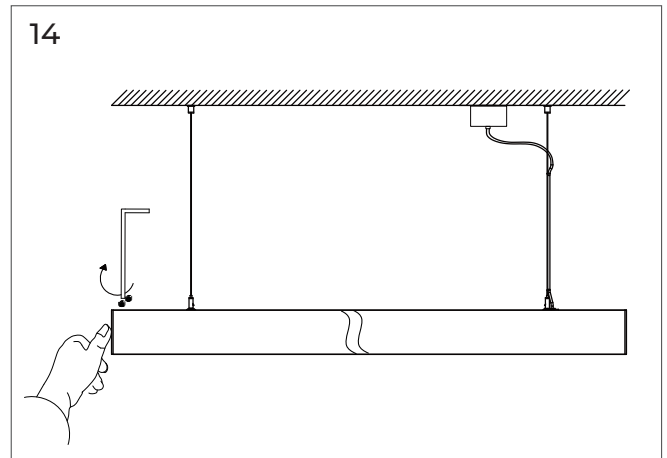


12. Push the illuminated module to the right so that it is aligned with the end cap.

3.Pendant

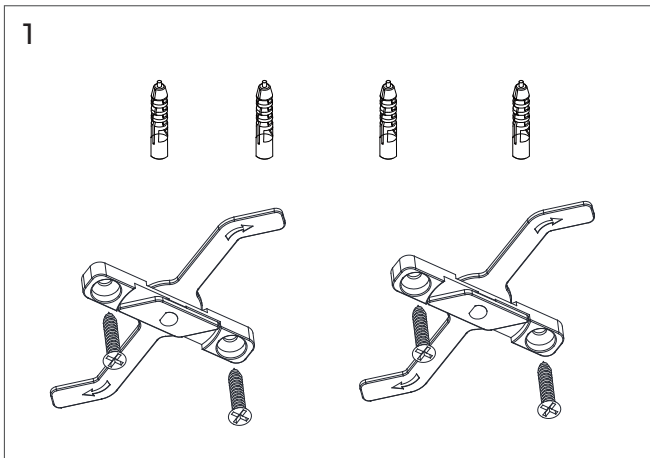


13. Repeat the above actions to illuminated the other light module

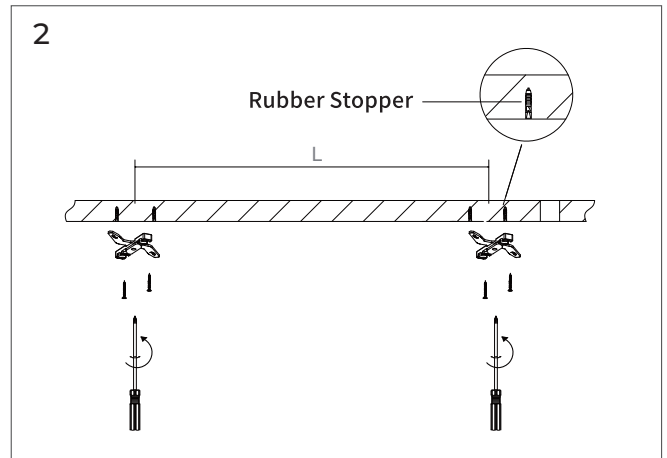


14. After installing the module, insert the extended plug into the profile, press the end cap and lock the screws to finish.

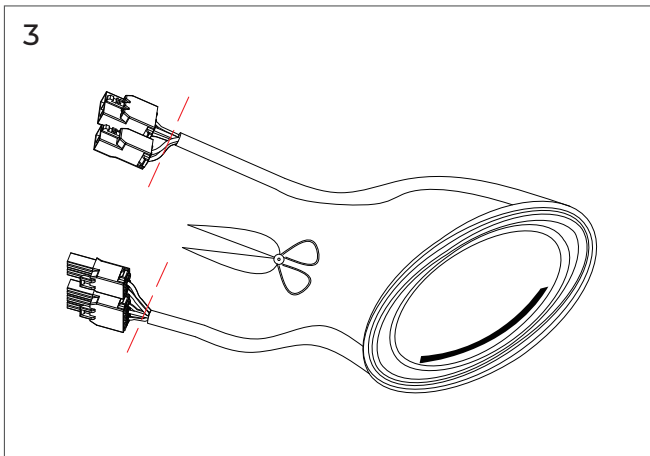
4.Ceiling



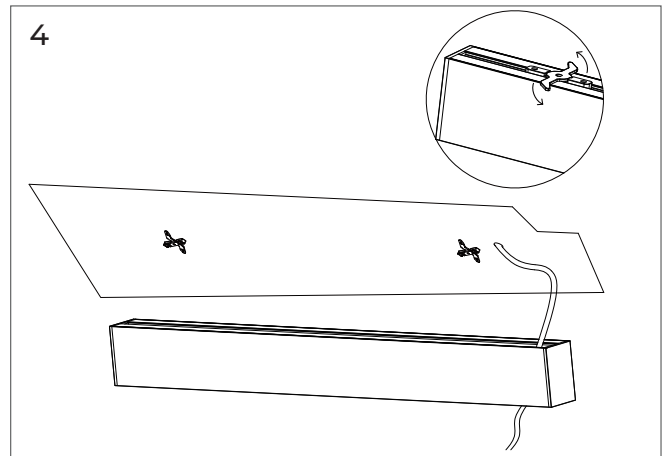
1. Prepare the necessary accessories for installation.



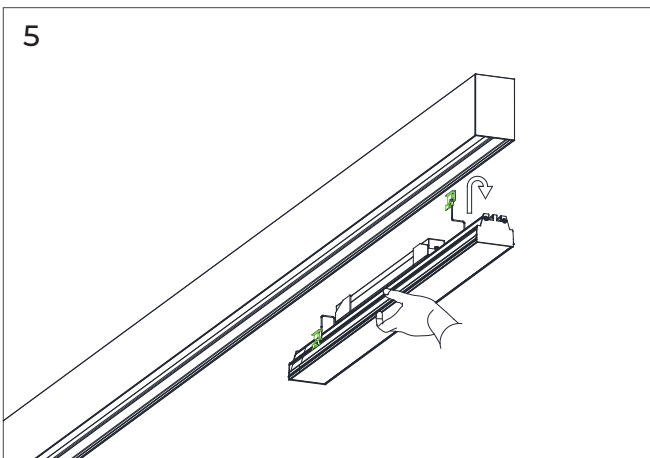
2. Measure the distance L between the rotary clips (the position of the clips should avoid the outlet hole), fix the rotary clips with the wall plate screws, and open a hole for the power cable in the ceiling.



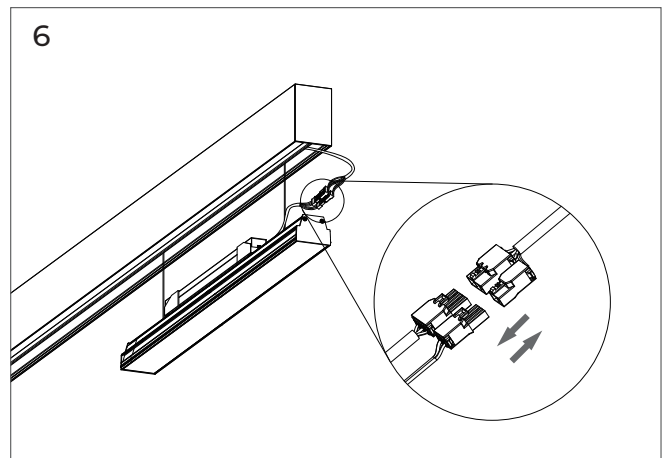
3. According to the terminal on the luminaire, cut off the unneeded end of the power cord, then peel 10mm of it and dip tin.



4. Thread power cable through cable hole and connect it to the mains, then align the luminaire with the swivel clip to fix the luminaire by the swivel clip.



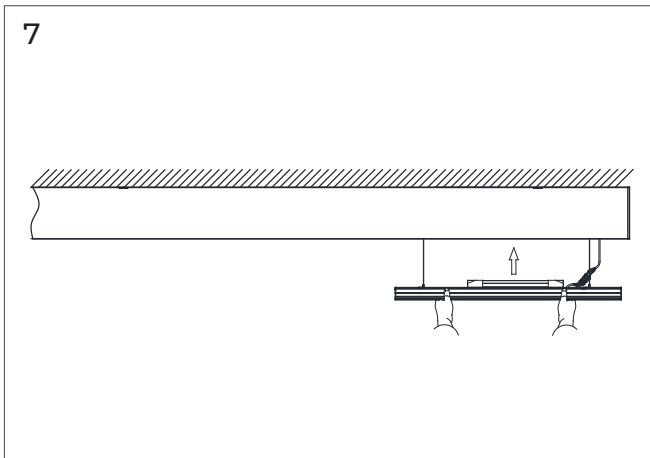
5. Hold the module with one hand and hang the safety rope with the other.



6. Refer to the wiring diagram to connect the power, and pair up the male and female plugs.

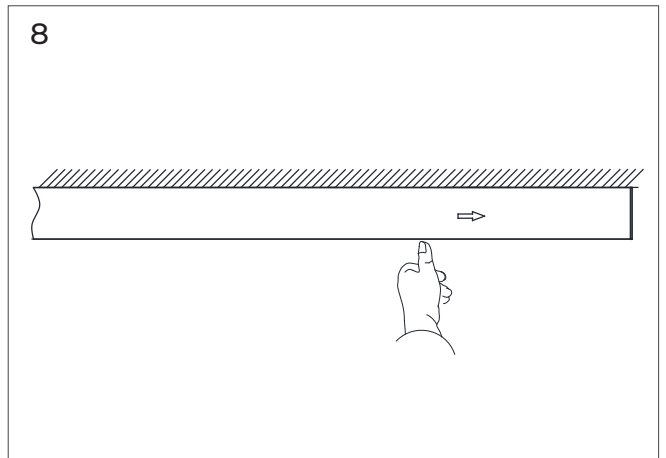
4.Ceiling

7



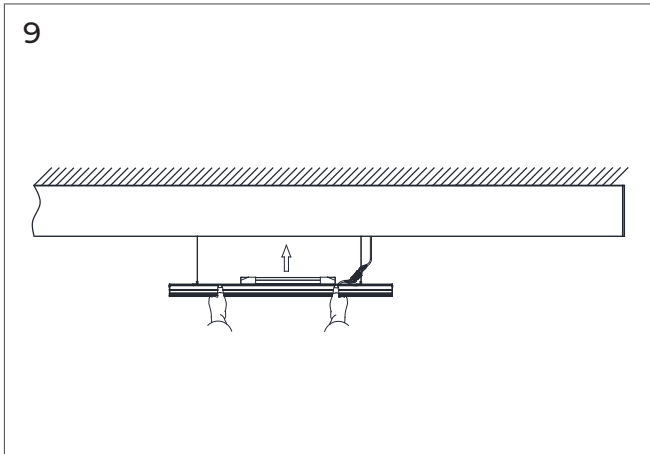
7. Plug the terminal into the profile and snap the module upwards into the profile.

8



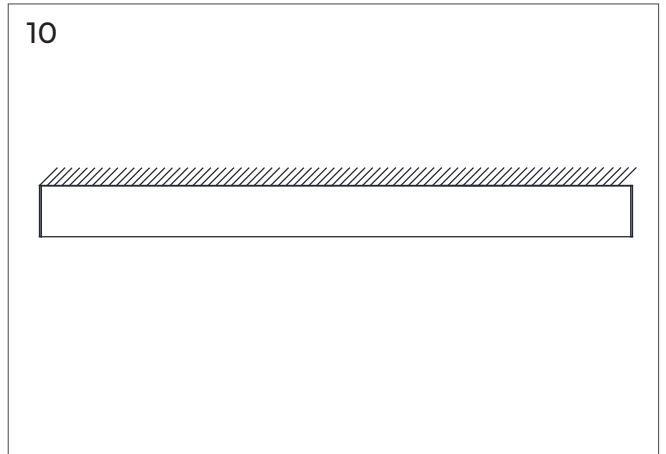
8. Push the illuminated module to the right so that it is aligned with the end cap.

9



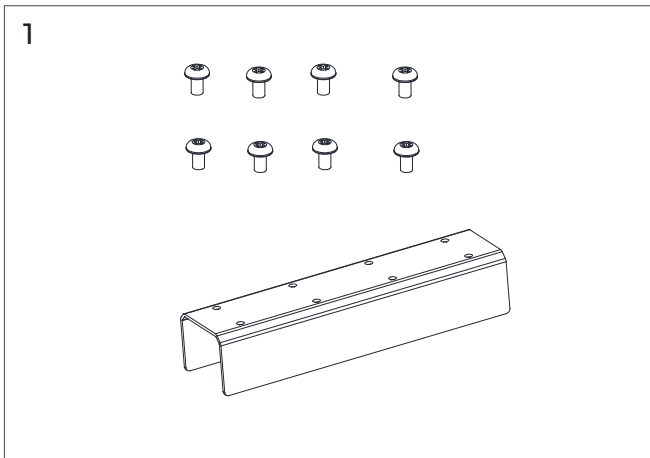
9. Repeat the above actions to illuminate the other light module

10

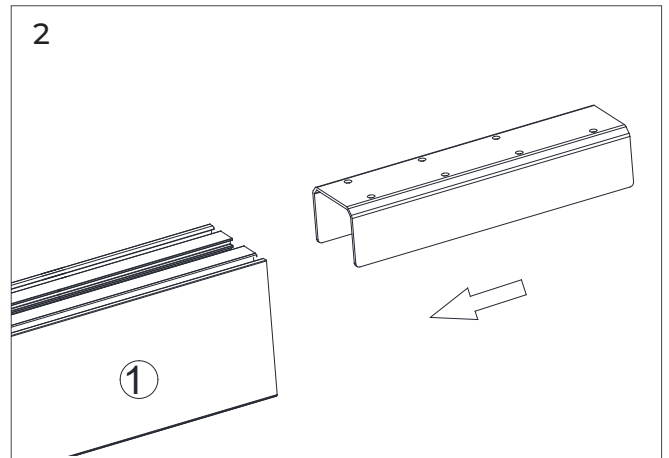


10. The overall appearance of the product after all modules are installed.

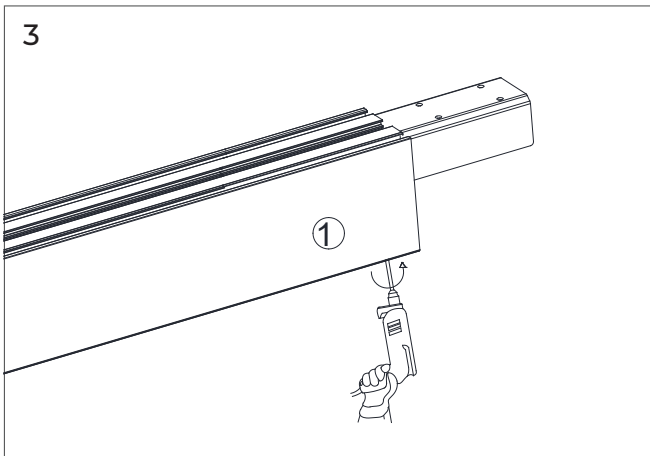
5. Splicing work instructions



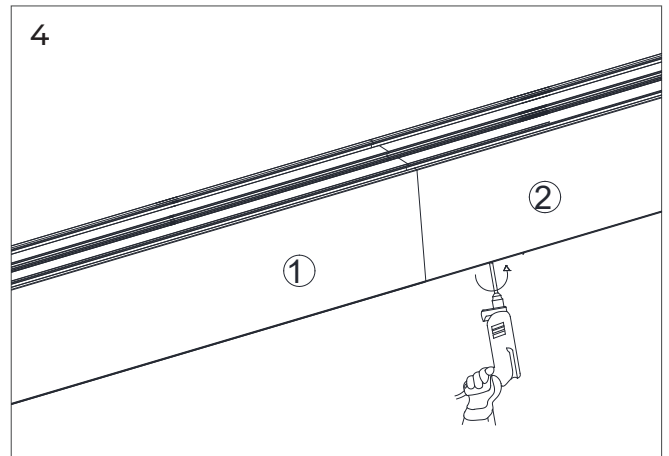
1. Prepare the required splicing accessories.



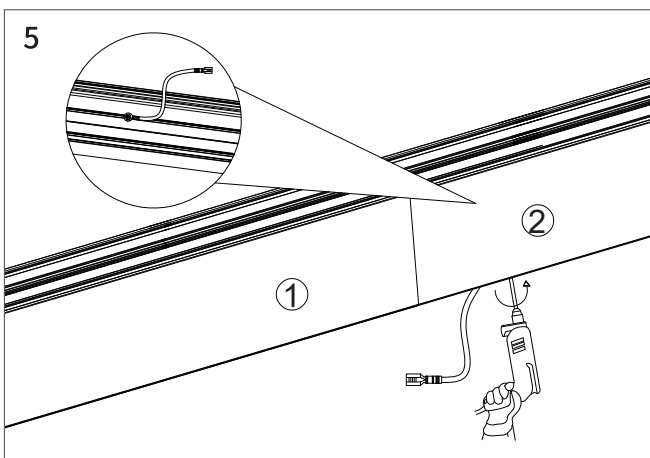
2. Insert the splice strip into the profile.



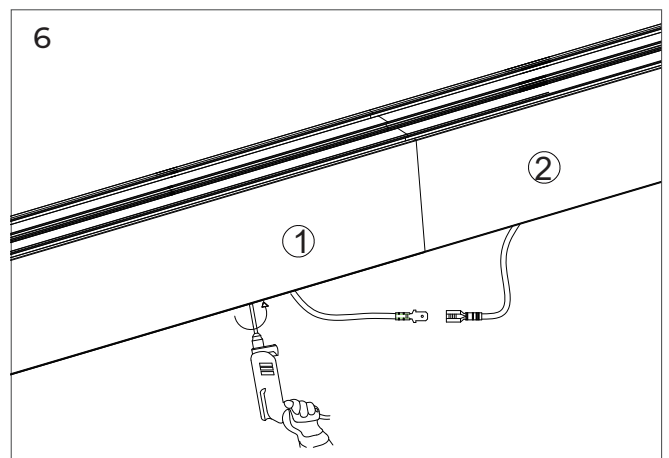
3. Fixed with screws.



4. Do the same for the other end.

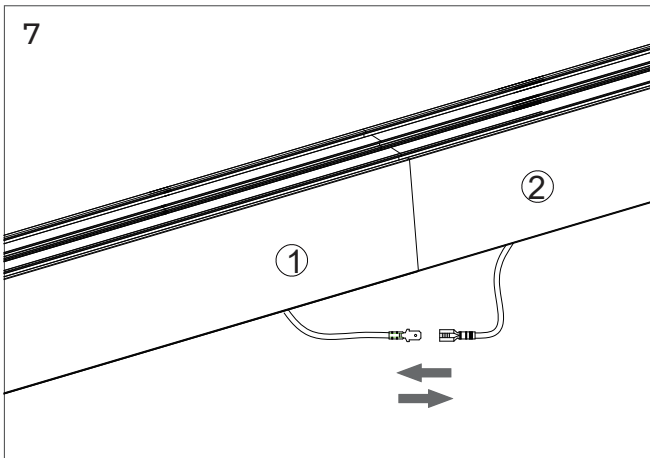


5. Screw in the ground wire.

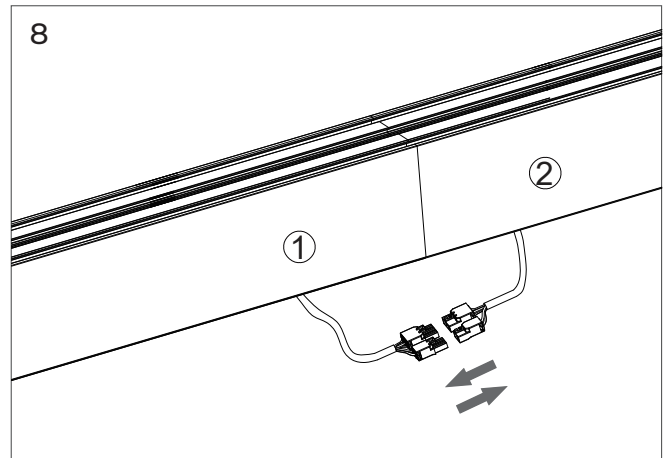


6. Do the same for the other end.

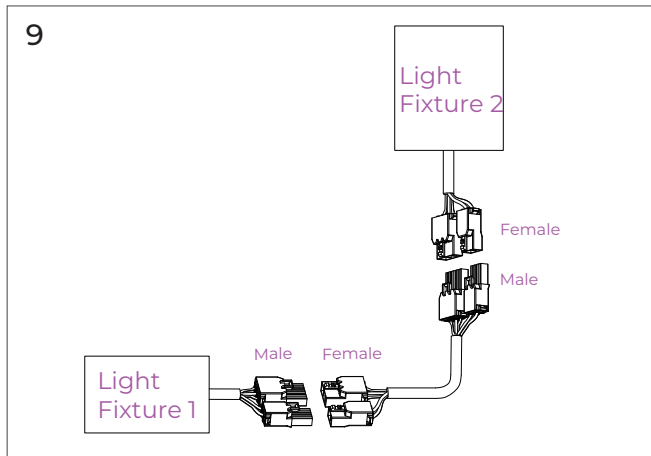
5. Splicing work instructions



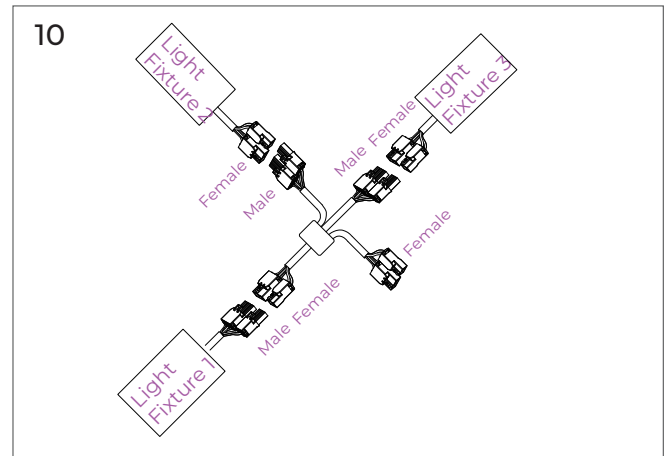
7. Ground plug connection between profiles.



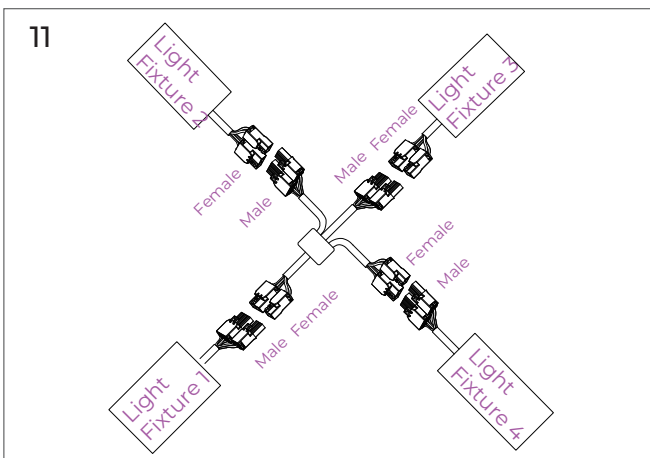
8. Refer to the pendant installation guide, install the module, plug in the male and female plug, power it up.



9. L Corner wiring diagram, connect with male and female connecting wires.

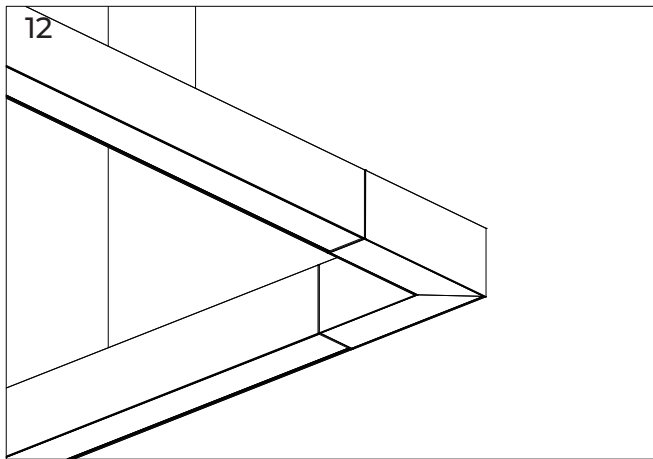


10. T Corner wiring diagram, with 4 male and female connection cables, corresponding to the plug connection, leaving one end unconnected to the lamp.

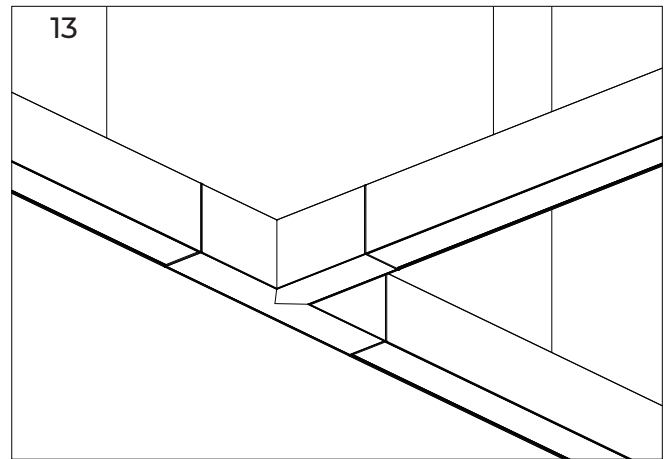


11. X Corner wiring diagram, with 4 male and female connection lines, corresponding to the plug connection.

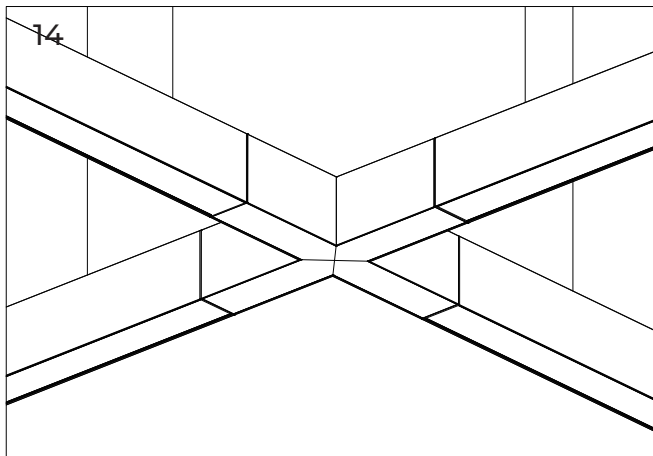
5. Splicing work instructions



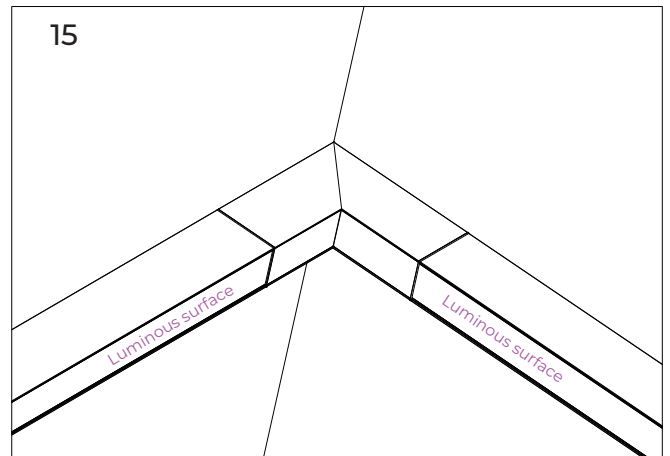
12. L Angle effect rendering.



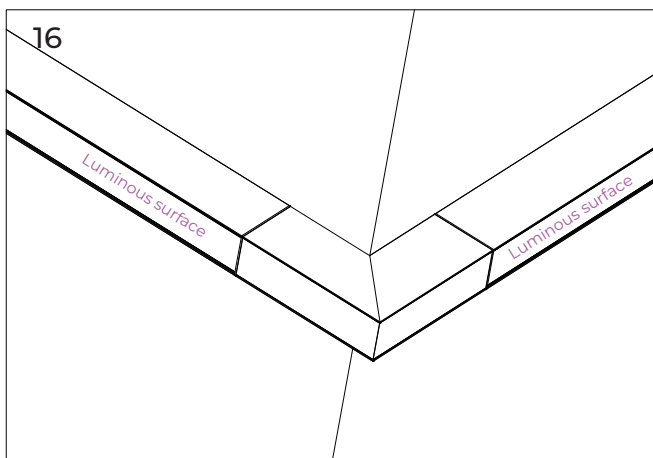
13. T Angle effect rendering.



14. X Angle effect rendering.



15. L Angle inward luminous effect rendering.
(Exclusive for ceiling use)



16. L Angle outward luminous effect rendering.
(Exclusive for ceiling use)