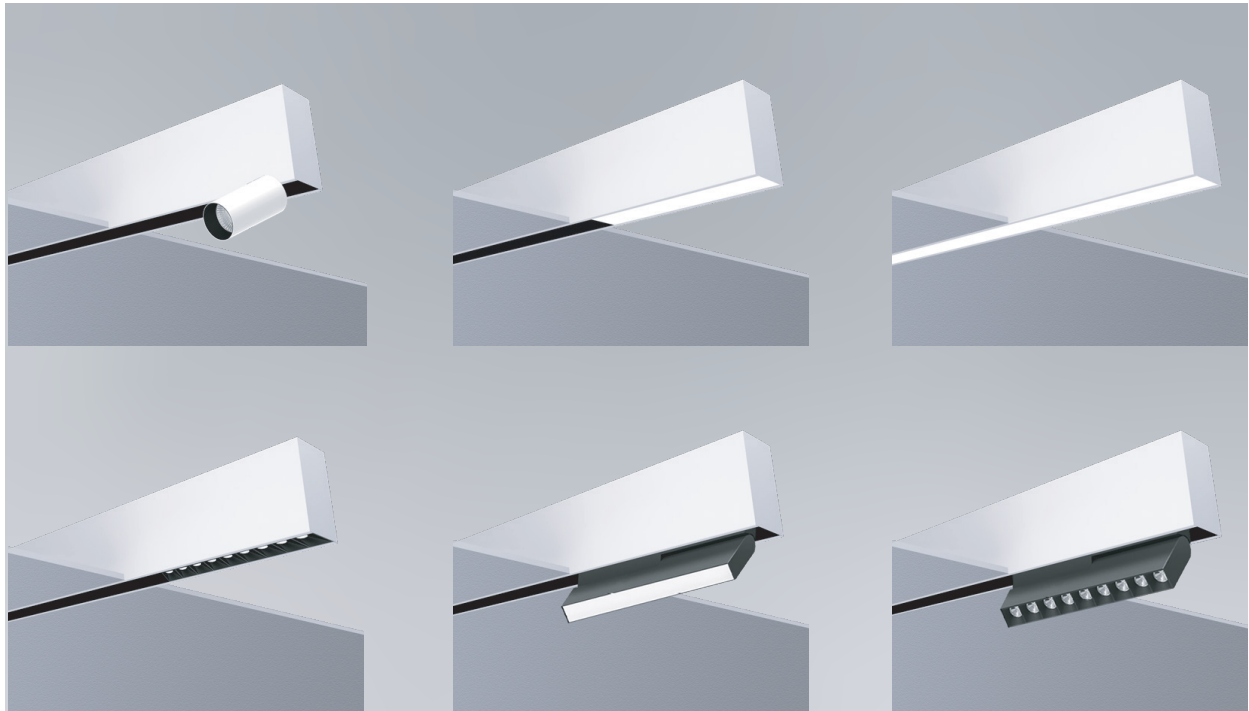
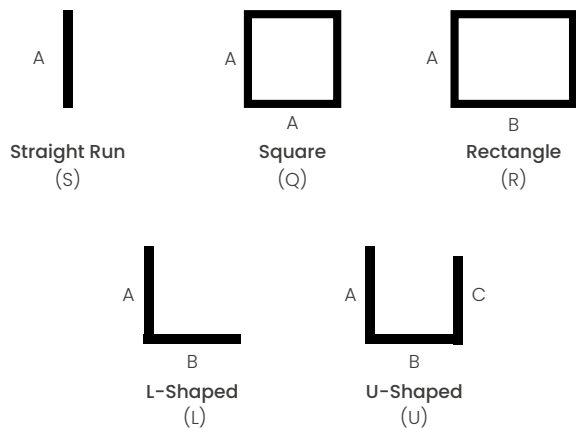


# MLS2-TRK

LED MODULES WITH LINEAR LED LIGHTING  
RECESSED MOUNT FOR DRYWALL & GRID CEILINGS



## SHAPES/PATTERNS



For other shapes/patterns consult the factory.

## FEATURES

- Modular LED components/track heads offer unlimited flexibility for accent and general illumination.
- Unique built-in track system allows components to be positioned as needed for specific lighting effects.
- Slide, rotate and adjust as desired or as room requirements change.
- Color temperatures available 2700K, 3000K, 3500K or 4000K. CRI 90. (See track head matrix for all options).
- LightStreams Flex uses the same extrusion as the original LightStreams architectural linear system.
- When specified for the same project both systems have an identical appearance.
- LightStreams Flex and LightStreams will transition seamlessly for end-to-end type installations.
- These narrow profiles form perfectly straight lines of light.
- Extrusions are finished with a non-glare matte-white polyester powder coating.
- Linear lengths; 4-ft. and above in increments of one-inch.
- Recesses into multiple types of grid ceiling systems and drywall ceiling types; trimless or overlapping trim.

Fixture type:	Job information:
<input type="text"/>	<input type="text"/>

# MLS2-TRK

LED MODULES WITH LINEAR LED LIGHTING  
RECESSED MOUNT FOR DRYWALL & GRID CEILINGS



## PRODUCT DEFINITION SHEET

Ex: **MLS2-N5-TRK-48-S18-9311A-27K-21.2-BK**



1	2	3	4
<b>SERIES</b>	<b>MOUNTING</b>	<b>TRACK</b>	<b>LENGTH</b>
<input type="checkbox"/> <b>MLS2</b> LightStreamsFlex	<input type="checkbox"/> <b>N5</b> Trimless 5/8"  <input type="checkbox"/> <b>N1</b> Trimless 1/2"  <input type="checkbox"/> <b>F</b> Flange Trim for drywall  <input type="checkbox"/> <b>G9</b> Grid 9/16" flat T grid  <input type="checkbox"/> <b>G15</b> Grid 15/16" flat T grid  <input type="checkbox"/> <b>S</b> Screw Slot  <input type="checkbox"/> <b>SI</b> 9/16" Interlude	<input type="checkbox"/> <b>TRK</b> Standard Black Finish  <input type="checkbox"/> <b>TRKW</b> Optional White Finish	<input type="checkbox"/> <b>48</b> 48" Length <input type="checkbox"/> <b>96</b> 96" Length <input type="checkbox"/> <b>144</b> 144" Length  Custom or Row Length. 24" and above in 1" increments. Ex. in inches: 82, 384, etc.

5	6	7	8
<b>SHAPE (ENTER LENGTH IN PRODUCT CODE ABOVE)</b>	<b>SERIES</b>	<b>COLOR TEMP- CCT</b>	<b>BEAM SPREAD</b>
<input type="checkbox"/> <b>S__</b> Individual/Straight Run Section (enter length, ex. S18)  <input type="checkbox"/> <b>Q__</b> Square Configuration (enter side length A, ex. Q18)  <input type="checkbox"/> <b>R__/_</b> Rectangular Configuration (enter side lengths A and B, ex. R12/24)  <input type="checkbox"/> <b>L__/_</b> L-Shaped Configuration (enter side lengths A and B, ex. L12/24)  <input type="checkbox"/> <b>U__/_/_</b> U-Shaped Configuration (enter side lengths A, B, and C, ex. U12/12/24)	<input type="checkbox"/> <b>9311A</b> Medium Cylinder  <input type="checkbox"/> <b>9630A</b> Adjustable Louvered Linear  <input type="checkbox"/> <b>9483A</b> Fixed Louvered Linear  <input type="checkbox"/> <b>9473A</b> Fixed Lensed Linear  <input type="checkbox"/> <b>9474A</b> Fixed Lensed Linear  <input type="checkbox"/> <b>9620A</b> Adjustable Lensed Linear	90 CRI <input type="checkbox"/> <b>27K</b> 2700K <input type="checkbox"/> <b>30K</b> 3000K <input type="checkbox"/> <b>35K</b> 3500K <input type="checkbox"/> <b>40K</b> 4000K  <input type="checkbox"/> <b>30K</b> 3000K <input type="checkbox"/> <b>35K</b> 3500K <input type="checkbox"/> <b>40K</b> 4000K  <input type="checkbox"/> <b>30K</b> 3000K <input type="checkbox"/> <b>35K</b> 3500K <input type="checkbox"/> <b>40K</b> 4000K	<input type="checkbox"/> <b>21.2</b> 21.2° Spread <input type="checkbox"/> <b>32.5</b> 32.5° Spread <input type="checkbox"/> <b>34.7</b> 34.7° Spread  <input type="checkbox"/> <b>9</b> 9° Spread <input type="checkbox"/> <b>12.6</b> 12.6° Spread <input type="checkbox"/> <b>24.5</b> 24.5° Spread

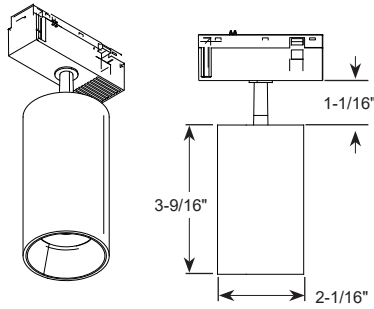
All corners of shape must be 90°, same plane. Lengths greater than 8' consist of multiple individual housing sections joined together. Lengths are nominal and may vary based on lamping and other specification selections. Consult Mercury when exact lengths are required.

9
<b>FINISH</b>
<input type="checkbox"/> <b>BK</b> Black <input type="checkbox"/> <b>WH</b> White

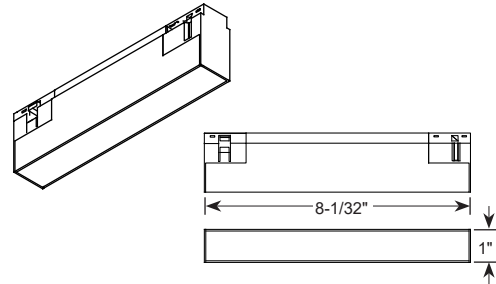
# MLS2-TRK

LED MODULES WITH LINEAR LED LIGHTING  
RECESSED MOUNT FOR DRYWALL & GRID CEILINGS

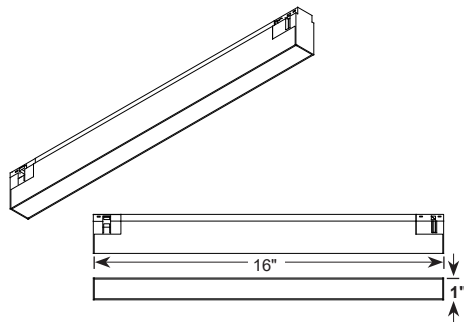
## TRACK HEAD DATA



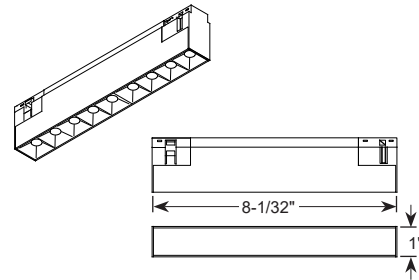
**9311A**  
Medium Cylinder



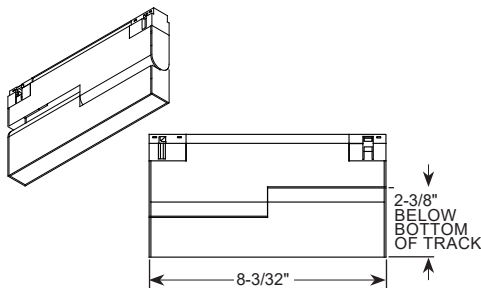
**9473A**  
Fixed Lensed Linear



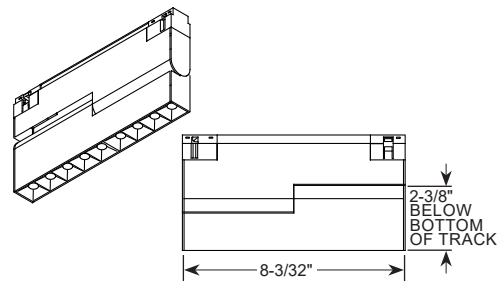
**9474A**  
Fixed Lensed Linear



**9483A**  
Fixed Louvered Linear



**9620A**  
Adjustable Lensed Linear



**9630A**  
Adjustable Louvered Linear

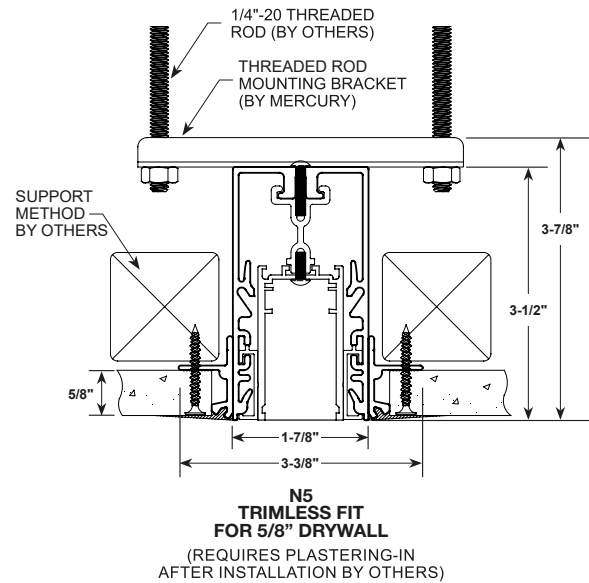
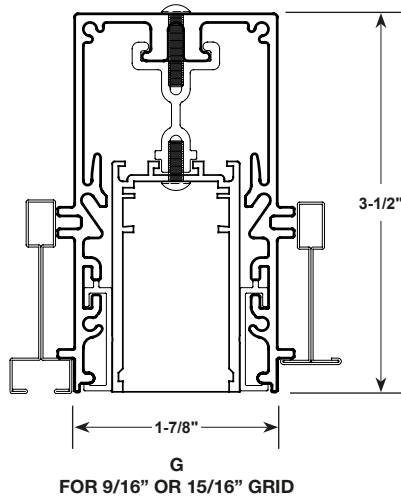
# MLS2-TRK

## LED MODULES WITH LINEAR LED LIGHTNING RECESSED MOUNT FOR DRYWALL & GRID CEILINGS



### MOUNTING

For surface and suspended options please visit the rest of the MLS2-TRK family.



### HOUSINGS

Extruded aluminum profile in a 0.080-inch wall thickness. Maximum length of each linear component is 12-ft. .060 aluminum ends are provided where needed at row termini. A one-piece 14GA galvanized steel joiner/aligner bracket is provided for each joint between housings. Internal cold-rolled steel components. A custom formulated non-glare matte-white polyester powder coating provides an extremely durable and long-lasting finish.

### TRACK

Heavy gauge extruded aluminum single circuit track. Secured internally to ensure track is flush to bottom of linear housing. Black finish standard. White optional.

### DRIVER

Meanwell brand 42-volt power supply. Class 2, 96-watts maximum. 0-10-volt dimming. Provided in a remote steel enclosure suitable for connection to building power supply. 120V/277V input. Plenum rated wires supplied for suitable connection to extruded housing. Capacity and quantity of drivers to be determined by job requirements and the quantity and types of track heads to be used.

### TUNABLE WHITE OPTION

Field tunable range 2700K through 6500K. 80CRI.

### TRACK HEADS

Various styles available with different performance criteria. See page 2 and 3 for detailed specifications.

### INSTALLATIONS

Designed for recessed installation into drywall type ceiling systems and acoustical grid ceiling systems. See ceiling types section for typical installations. Availability for various types; 15/16" grid, 9/16" grid; 9/16" screw-slot, 9/16" interlude. Others on request. Grid pry outs lock over top of gridwork. Auxiliary suspension required to building structure. Trimless housing requires plastering-in after installation. Overlapping flange trim neatly closes off drywall opening. Auxiliary suspension required to building structure. Lengths of 12-ft. and less to use one housing with two ends pre-installed. Lengths over 12-ft. will be engineered to job requirements using multiple housings with one end pre-installed at each row end. Track heads to be installed on job site. Not to exceed maximum wattage load per track section as indicated on live end. Wiring access plate provided on top. End plates have 7/8" KO.

### CERTIFICATE OF SAFETY COMPLIANCE AND LISTINGS

Luminaire: UL and CUL listed I598 and bears their label. Suitable for dry locations.

### WARRANTY

5-year limited warranty is standard. Special 10-year warranty available on a job-to-job basis. Complete LED warranty terms available at [www.mercltg.com](http://www.mercltg.com). Actual performance may differ as a result of end-user environment and application. Most LED luminaires are suitable to operate in ambient temperatures from -20C (-4F) to 25C (77F). The following exclusions apply: Luminaires with standby lighting option, integral lighting controls options, or wireless control options. Consult factory. LM-79 testing was measured under a controlled 25C (77F) ambient operating temperature.