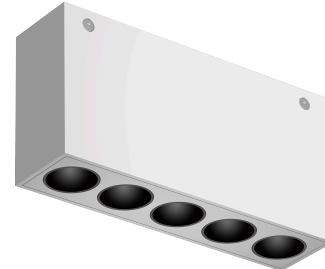
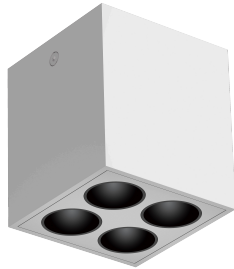


MINI PARABOLIC SURFACE MOUNT DOWNLIGHT



MATERIAL

Aluminum Die-Casting, Electrostatic Powder Coating

SOURCE INFORMATION

LUMEN OUTPUT Up to 800lm

CONSUMPTION Up to 13W

CURRENT 700mA

INPUT VOLTAGE 120VAC-277VAC

DIMMING TRIAC/ELV / 0-10V (1%) / DALI

CRI 90+

COLOR TEMP-CCT 2700K/3000K/3500K/4000K

IP 20

OPERATING TEMP -4°F to 122°F

OPERATING TEMPERATURE Luminaire should be installed and operated ONLY in dry environments where the ambient temperature ranges from -4°F to 122°F (-20°C to 50°C). Luminaire operation in environments outside the listed temperature range voids the warranty AND may damage the product or adversely impact lamp life, lumen output and color consistency.

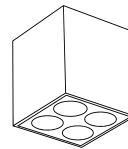
TYPE OF LED

Bridgelux LED

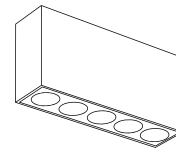
WARRANTY

5 years

DOWNLIGHT CELLS



4 cells



5 cells

LENS BEAM ANGLE



30°
Narrow



45°
Flood

TRIM FINISH



Black



White

Fixture type:	Job information:
<input type="text"/>	<input type="text"/>

MYSTIQUBE

MINI PARABOLIC

SURFACE MOUNT DOWNLIGHT



PRODUCT DEFINITION SHEET

Ex: MQ-SM-4C-30K-45-BK-1-U-EM10-RM



1	2	3	4	5	6	7	8	9	10
SERIES	MOUNTING PAN		DOWNLIGHT CELLS		LUMEN OUTPUT		WATTAGE		
<input type="checkbox"/> MQ MystiQube	<input type="checkbox"/> SM Surface Mount		<input type="checkbox"/> 4C 4		<input type="checkbox"/> 6L 650		<input type="checkbox"/> 10W		
			<input type="checkbox"/> 5C 5		<input type="checkbox"/> 8L 800		<input type="checkbox"/> 13W		

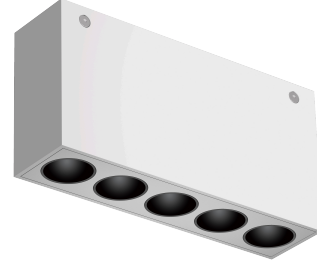
4	5	6	7
COLOR TEMP-CCT (90 CRI)	LENS BEAM ANGLE	TRIM FINISH	DRIVER
<input type="checkbox"/> 27K 2700K	<input type="checkbox"/> 30 30° Narrow	<input type="checkbox"/> WH White	<input type="checkbox"/> 1 0-10V 1% Dimming
<input type="checkbox"/> 30K 3000K	<input type="checkbox"/> 45 45° Flood	<input type="checkbox"/> BK Black	<input type="checkbox"/> TLV TRIAC/ELV 3% Dimming
<input type="checkbox"/> 35K 3500K			<input type="checkbox"/> DAL DALI 0.1% Dimming
<input type="checkbox"/> 40K 4000K			Consult factory for controls

8	9	10
VOLTAGE	STANDBY MODULES	INSTALLATION TYPE
<input type="checkbox"/> U Uni 120VAC-277VAC	<input type="checkbox"/> EM10 Emergency Battery Pack 10W	<input type="checkbox"/> RM Remote
	<input type="checkbox"/> EM12 Emergency Battery Pack 12W	<input type="checkbox"/> NCNIC New Construction Non-IC Frame
	<input type="checkbox"/> NO OPTION Remote Emergency Battery Pack, for field install	<input type="checkbox"/> NCIC New construction IC

MYSTIQUE

MINI PARABOLIC

SURFACE MOUNT DOWNLIGHT



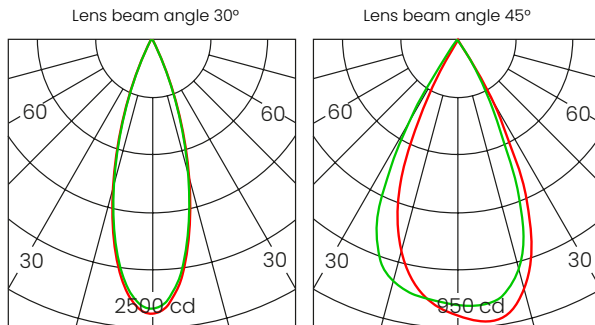
MODEL	MQ-SM-4C-6L
CONSUMPTION	10W
CURRENT	700mA
LENS BEAM ANGLE	30°/45°
CRI	90+

LUMEN OUTPUT

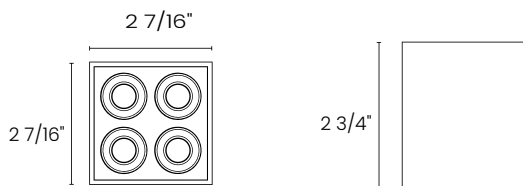
CCT	2700K	3000K	3500K	4000K
30°	630lm	640lm	660lm	680lm
45°	510lm	520lm	530lm	540lm

Actual performance may differ by +/- 10%

PHOTOMETRIC



DIMENSIONS



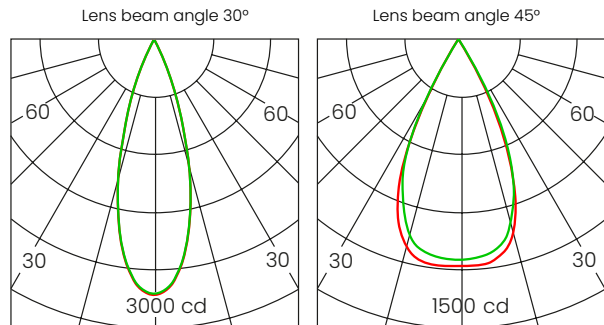
MODEL	MQ-SM-5C-8L
CONSUMPTION	13W
CURRENT	700mA
LENS BEAM ANGLE	30°/45°
CRI	90+

LUMEN OUTPUT

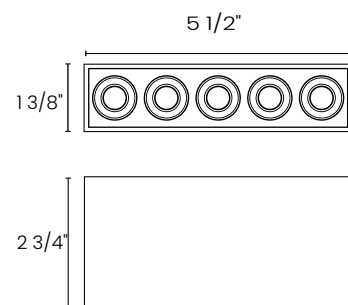
CCT	2700K	3000K	3500K	4000K
30°	740lm	760lm	780lm	800lm
45°	640lm	660lm	680lm	700lm

Actual performance may differ by +/- 10%

PHOTOMETRIC



DIMENSIONS



MYSTIQUE

MINI PARABOLIC

SURFACE MOUNT DOWNLIGHT



DRIVER



PUP10A-1WMC-700 FOR 0-10V DIMMING

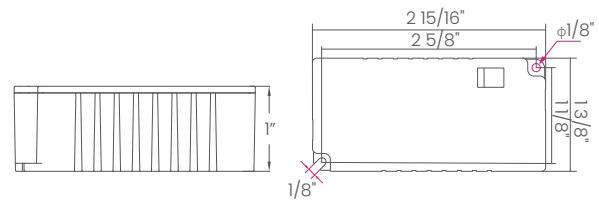
PUP10A-1WMC-700 is a constant current output mode LED driver. The output and dimming circuit are also completely in accordance with the new regulations with isolation to ensure the users and luminaire system during installation.



FEATURES

- Single channel output, output current level selectable by DIP S.W.
- Support 3-in-1 dimming mode: 0/1-10V active signal, adjustable resistance, PWM(A model)
- Input voltage of 100VAC~240VAC
- Dimming range: 0.1-100%, Dimming effect smooth, no flicker
- Protections: Short circuit, Over load, Over voltage
- Suitable for indoor LED lighting application

DIMENSIONS



TECHNICAL PARAMATERS

Input	Efficiency	76%@230VAC, Full load			
	Frequency	50/60Hz			
	Voltage	100VAC~240VAC			
	PF	0.94@230VAC, Full load			
	THD(full load)	<15%@230VAC, Full load			
	Current	0.15Amax@100VAC			
	Inrush Current	Cold start,30A@230VAC			
Standby Power	<1W				
Output	Current/Voltage/Power	350mA/2-21V/7.31W 400mA/2-21V/8.4W	450mA/2-21V/9.45W 500mA/2-20V/10W	550mA/2-18V/9.9W 600mA/2-16V/9.6W	650mA/2-15V/9.75W 700mA/2-14V/9.8W
	Channel	1			
	No load output voltage	60V Max			
	Frequency	1KHz Min PWM			
	Current Accuracy	±5%			
	LF current ripple(<120Hz)	<3%			
Protection	Over Voltage	Hiccup, recovers after fault condition is removed			
	Over load	Hiccup, recovers after fault condition is removed			
	Short circuit	Close output, recovers automatically after fault removed			
Safety & EMC	Surge	L-N:1KV			
	Withstand Voltage	I/P-O/P: 3000VAC/1min/5mA; I/P-Gnd: 1500VAC/1min/5mA; O/P-Gnd: 500VAC/1min/5m			
	Safety standards	UL8750/UL1310/CSA25013,CSA class P			
	EMI Eission	EN55015,EN61000-3-2 Class C,IEC61000-3-3			
Function	EMC Immunity	FCC class B(120V)/class A(277V)			
	Dimming type	0/1-10V(Type A)			
Others	Dimming range	0.1%-100% Dimming to off			
	Dimension	2 15/16" x 1 3/8" x 1 1/16" (LxWxH)			
	Pack Information	N.W: 1/5lb±5%/PCS; 100PCS/Carion; 22. 1/4lb±5%/Carton; Carton Size: 15 11/16"x8 1/4"x8 3/16"(LxWxH)			
	IP rating	IP20			
	Working temp.	-4°F~122°F			
	tc	194°F			
	Relative humidity	20-90% RH			
	Lifetime	50,000h@tc:185°F			
	Material	PC			
	Switch cycle	>25,000 times			

Remark: Use only within an enclosure

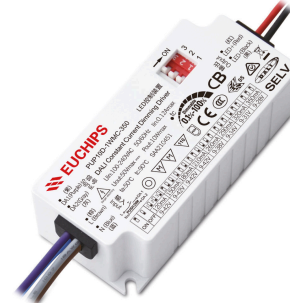
DRIVER

PUP10D-1WMC-700 FOR DALI DIMMING

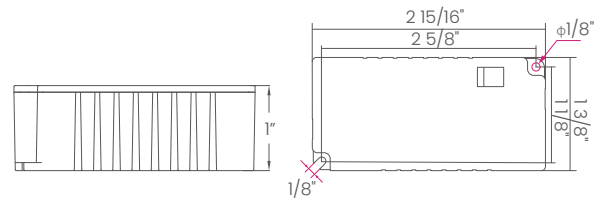
PUP10D-1WMC-700 is a constant current output mode LED driver.
 Support DALI dimming function, Touch DIM (Push DIM) function.
 The output and dimming circuit are also completely in accordance with the new regulations with isolation to ensure the users and luminaire system during installation.

FEATURES

- Single channel output, output current level selectable by DIP S.W.
- Support DALI dimming function, Touch DIM (Push DIM) function
- Input voltage of 100VAC~240VAC
- Dimming range: 0.1-100%, Dimming effect smooth, no flicker
- Protections: Short circuit, Over load, Over voltage
- Suitable for indoor LED Lighting application



DIMENSIONS



TECHNICAL PARAMETERS

Input	Efficiency	78%@230VAC, Full load			
	Frequency	50/60Hz			
	Voltage	100VAC~240VAC			
	PF	0.94@230VAC, Full load			
	THD(full load)	<15%@230VAC, Full load			
	Current	0.14Amax@100VAC			
	Inrush Current	Cold start,30A@230VAC			
Standby Power	<1W				
Output	Current/Voltage/Power	350mA/2-21V/7.35W	450mA/2-21V/9.45W	550mA/2-18V/9.9W	650mA/2-15V/9.75W
		400mA/2-21V/8.4W	500mA/2-20V/10W	600mA/2-16V/9.6W	700mA/2-14V/9.8W
	Channel	1			
	No load output voltage	60V Max			
	Frequency	1KHz Min PWM			
	Current Accuracy	±5%			
LF current ripple(<120Hz)	<3%				
Protection	Over Voltage	Hiccup, recovers after fault condition is removed			
	Over load	Hiccup, recovers after fault condition is removed			
	Short circuit	Close output, recovers automatically after fault removed			
Safety & EMC	Surge	L-N:1KV			
	Withstand Voltage	I/P-O/P: 3000VAC/1min/5mA; O/P-DIM(Signal port):1500Vac/1min/<5mA			
	Safety standards	UL8750/UL1310/CSA25013,CSA class P			
	EMI Eission	EN55015,EN61000-3-2 Class C,IEC61000-3-3			
Function	EMC Immunity	FCC class B(120V)/class A(277V)			
	Dimming type	DALI/Touch DIM (Push DIM)			
Others	Dimming range	0.1%-100% Dimming to off			
	Dimension	2 15/16" x 1 3/8" x 1 1/16" (LxWxH)			
	Pack Information	Net weight: 1/5lb±5%/PCS; 50PCS/Cartron; 22 1/4lb±5%/Cartron; Carton Size: 15 11/16"x8 1/4"x8 3/16" (LxWxH)			
	IP rating	IP20			
	Working temp.	-4°F~122°F			
	tc	194°F			
	Relative humidity	20-90% RH			
	Lifetime	50,000h@tc:185°F			
	Material	PC			
Switch cycle	>25,000 times				

Remark: Use only within an enclosure

MYSTIQUE

MINI PARABOLIC

SURFACE MOUNT DOWNLIGHT



DRIVER



PUP10T-ILMC-700 FOR TRIAC/ELV DIMMING

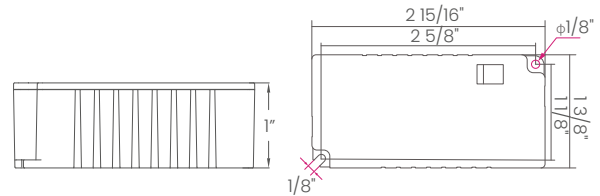
PUP10T-ILMC-700 is a constant current output mode LED driver. The output current can be easily set via DIP switch. The driver supports leading edge (Triac) and trailing edge (ELV) dimmer, achieve a smooth dimming effect.



FEATURES

- Single channel output, output current level selectable by DIP S.W.
- Support Leading edge (Triac) and Trailing edge (ELV) dimmer
- Built-in active PFC function
- Class II power supply. Full protective plastic housing
- Dimming effect smooth, no flicker
- Protections: Short circuit, over load, over voltage
- Suitable for indoor LED lighting application, such as down light, spotlights, panel light, and so on

DIMENSIONS



TECHNICAL PARAMETERS

Input	Efficiency	70%@120VAC, Full load			
	Frequency	50/60Hz			
	Voltage	120-277VAC			
	PF	0.92@120VAC, Full load			
	THD(full load)	<20%@120VAC, Full load			
	Current	0.13Amax@120VAC, Full load			
	Inrush Current	Cold start, 30A@120VAC			
Output	Current/Voltage/Power	350mA/2-21VDC/7.35W	400mA/2-21VDC/8.4W	450mA/2-21VDC/9.45W	500mA/2-20VDC/10W
	350mA	550mA/2-18VDC/9.9W	600mA/2-16VDC/9.9W	650mA/2-15VDC/9.75W	700mA/2-14VDC/9.8W
	Channel	1			
	No load output voltage	50V Max			
	Frequency	4KHz PWM			
	Current Tolerance	±5%			
	Ripple Current	<3%			
Turn On Delay Time	<1s, at 120Vac				
Protection	Over Voltage	Hiccup, recovers after fault condition is removed			
	Over load	When the output voltage is exceeded, decreases and, recovers automatically when the load is reduced			
	Short circuit	Shut down the output automatically recovers after faulty condition is removed.			
Safety & EMC	Surge	L-N:0.5KV			
	Withstand Voltage	I/P-O/P: 3000VAC/1min/5mA			
	Safety standards	EN61347-2-13			
	EMI Eission	EN55015			
	EMC Immunity	EN61000-3-3 EN61000-4-3 EN61000-4-4 EN61000-4-5			
Function	Dimming type	TRIAC/ELV			
	Dimming range	3%-100%			
Others	Dimension	2 15/16" x 1 3/8" x 1 1/16" (LxWxH)			
	Pack Information	Net weight: 1/5lb±5%/PCS; 100PCS/Carton; 22 1/4lb±5%/Carton; Carton Size: 15 11/16"x8 1/4"x8 3/16" (LxWxH)			
	IP rating	IP20			
	Working temp.	-4°F-122°F			
	tc	194°F			
	Storage Temp.; Humidity	-40°F-185°F, 20-90%RH			
	Lifetime	50,000h@tc:185°F			
	Material	PC			
	Switch cycle	>25,000 times			
Warranty Condition	5 years				

Remark: Use only within an enclosure

*Tolerance: 250mA 1-7%; 300mA -6-0%;

MYSTIQUE

MINI PARABOLIC

SURFACE MOUNT DOWNLIGHT

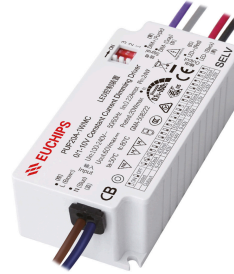


DRIVER



PUP20A-1WMC FOR 0-10V DIMMING

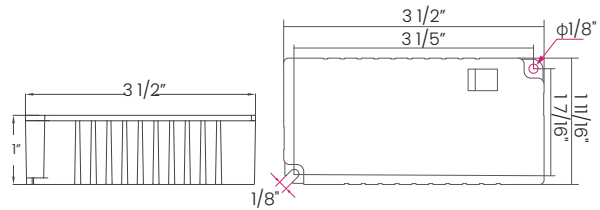
PUP20A-1WMC is a constant current output mode LED driver. The output and dimming circuit are also completely in accordance with the new regulations with isolation to ensure the users and luminaire system during installation.



FEATURES

- Single channel output, output current level selectable by DIP S.W.
- Support 3-in-1 dimming mode: 0/1-10V active signal, adjustable resistance, PWM(A model)
- Input voltage of 100VAC-240VAC
- Dimming range: 0.1-100%. Dimming effect smooth, no flicker
- Protections: Short circuit, Over load, Over voltage
- Suitable for indoor LED lighting application

DIMENSIONS



TECHNICAL PARAMETERS

Input	Efficiency	85%@230VAC, Full load			
	Frequency	50/60Hz			
	Voltage	100VAC-240VAC			
	PF	0.94@230VAC, Full load			
	THD(full load)	<12%@230VAC, Full load			
	Current	0.24Amax@100VAC			
	Inrush Current	Cold start,30A@230VAC			
Standby Power	<1W				
Output	Current/Voltage/Power	350mA/9-45V/15.75W 400mA/9-45V/18W	450mA/9-44V/19.8W 500mA/9-40V/20W	550mA/9-36V/19.8W 600mA/9-33V/19.8W	650mA/9-30V/19.5W 700mA/9-28V/19.6W
	Channel	1			
	No load output voltage	60V Max			
	Frequency	1KHz Min PWM			
	Current Accuracy	±5%			
	LF current ripple(<120Hz)	<3%			
Protection	Over Voltage	Hiccup, recovers after fault condition is removed			
	Over load	Hiccup, recovers after fault condition is removed			
	Short circuit	Close output, recovers automatically after fault removed			
Safety & EMC	Surge	L-N:0.5KV			
	Withstand Voltage	I/P-O/P: 3000VAC/1min/5mA			
	Safety standards	EN61347-1, EN61347-2-13			
	EMI Eission	EN50515,EN61000-3-2 Class C,IEC61000-3-3			
Function	EMC Immunity	EN61000-4-2, 3, 4, 5, 6, 8, 11; EN61547			
	Dimming type	0/1-10V(Type A)			
Others	Dimming range	0.1%-100% Dimming to off			
	Dimension	3 7/16" x 1 11/16" x 1 1/16" (LxWxH)			
	Pack Information	Net weight: 1/4lb±5%/PCS; 50PCS/Cartron; 12.67lb±5%/Cartron; Carton Size: 9 3/16"x8 3/4"x7 5/8"(LxWxH)			
	IP rating	IP20			
	Working temp.	-4°F-122°F			
	tc	194°F			
	Relative humidity	20-90% RH			
	Lifetime	50,000h@tc:185°F			
	Material	PC			
Switch cycle	>25,000 times				

Remark: Use only within an enclosure

MYSTIQUE

MINI PARABOLIC

SURFACE MOUNT DOWNLIGHT



DRIVER

PUP20D-1WMC FOR DALI DIMMING

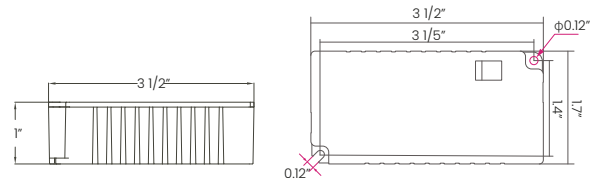
PUP20D-1WMC is a constant current output mode LED driver. Support DALI dimming function, Touch DIM (Push DIM) function. The output and dimming circuit are also completely in accordance with the new regulations with isolation to ensure the users and luminaire system during installation.



FEATURES

- Single channel output, output current level selectable by DIP S.W.
- Support DALI dimming function, Touch DIM (Push DIM) function
- Input voltage of 100VAC~240VAC
- Dimming range: 0.1-100%, Dimming effect smooth, no flicker
- Protections: Short circuit, Over load, Over voltage
- Suitable for indoor LED lighting application

DIMENSIONS



TECHNICAL PARAMETERS

Input	Efficiency	85%@230VAC, Full load			
	Frequency	50/60Hz			
	Voltage	100VAC~240VAC			
	PF	0.94@230VAC, Full load			
	THD(full load)	<12%@230VAC, Full load			
	Current	0.28Amax@100VAC			
	Inrush Current	Cold start,30A@230VAC			
	Standby Power	<1W			
Output	Current/Voltage/Power	350mA/9-45V/15.75W	450mA/9-44V/19.8W	550mA/9-36V/19.8W	650mA/9-30V/19.5W
		400mA/9-45V/18W	500mA/9-40V/20W	600mA/9-33V/19.8W	700mA/9-28V/19.6W
	Channel	1			
	No load output voltage	60V Max			
	Frequency	1KHz Min PWM			
	Current Accuracy	±5%			
LF current ripple(<120Hz)	<3%				
Protection	Over Voltage	Hiccup, recovers after fault condition is removed			
	Over load	Hiccup, recovers after fault condition is removed			
	Short circuit	Close output, recovers automatically after fault removed			
Safety & EMC	Surge	L-N:0.5KV			
	Withstand Voltage	I/P-O/P: 3000VAC/1min/5mA; O/P-DIM(Signal port):1500Vac/1min/<5mA			
	Safety standards	UL8750/UL1310/CSA25013,CSA class P			
	EMI Eission	EN55015,EN61000-3-2 Class C,IEC61000-3-3			
	EMC Immunity	FCC class B(120V)/class A(277V)			
Function	Dimming type	DALI/Touch DIM (Push DIM)			
	Dimming range	0.1%-100% Dimming to off			
Others	Dimension	3 7/16" x 1 11/16" x 1 1/16" (LxWxH)			
	Pack Information	Net weight: 1/3lb±5%/PCS; 50PCS/Carton; 16 1/2lb±5%/Carton; Carton Size: 9 3/16"x8 3/4"x7 5/8"(LxWxH)			
	IP rating	IP20			
	Working temp.	-4°F-122°F			
	tc	176°F			
	Relative humidity	20-90% RH			
	Lifetime	50,000h@tc:176°F			
	Material	PC			
Switch cycle	>25,000 times				

Remark: Use only within an enclosure

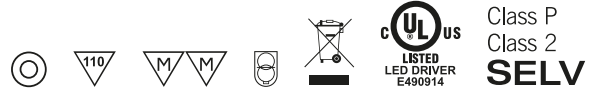
MYSTIQUE

MINI PARABOLIC

SURFACE MOUNT DOWNLIGHT



DRIVER



PUP20T-1LMC FOR TRIAC/ELV DIMMING

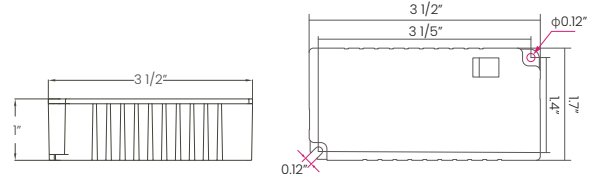
PUP20T-1LMC is a constant current output mode LED driver. The output current can be easily set via DIP switch. The driver supports leading edge (Triac) and trailing edge (ELV) dimmer, achieve a smooth dimming effect.



FEATURES

- Single channel output, output current level selectable by DIP S.W.
- Support Leading edge (Triac) and Trailing edge (ELV) dimmer
- Built-in active PFC function
- TRIAC and ELV dimming at 120 Vac only
- Class II power supply. Full protective plastic housing
- Dimming effect smooth, no flicker
- Protections: Short circuit, over load, over voltage
- Suitable for indoor LED lighting application, such as down light, spotlights, panel light, and soon

DIMENSIONS



TECHNICAL PARAMETERS

Input	Efficiency	79%@120VAC, Full load			
	Frequency	50/60Hz			
	Voltage	120-277VAC			
	PF	0.92@120VAC, Full load			
	THD(full load)	<20%@120VAC, Full load			
	Current	0.23Amax@120VAC			
	Inrush Current	Cold start,10A@120VAC			
Standby Power	<2.5W				
Output	Current/Voltage/Power	350mA/9-45V/15.75W	450mA/9-44V/19.8W	550mA/9-36V/19.8W	650mA/9-30.7V/20W
		400mA/9-45V/18W	500mA/9-40V/20W	600mA/9-33V/19.8W	700mA/9-28.5V/20W
	Channel	1			
	No load output voltage	58V Max			
	Frequency	4KHz PWM			
	Current Accuracy	±5%			
LF current ripple(<120Hz)	<3%				
Protection	Over Voltage	Hiccup, recovers after fault condition is removed			
	Over load	Hiccup, recovers after fault condition is removed			
	Short circuit	Close output, recovers automatically after fault removed			
Safety & EMC	Surge	L-N:0.5KV			
	Withstand Voltage	I/P-O/P: 3000VAC/1min/5mA			
	Safety standards	UL8750/UL1310			
	EMI Eission	FCC PART 18			
Function	EMC Immunity	FCC class B(120V)			
	Dimming type	TRIAC/ELV			
Others	Dimming range	3%-100%			
	Dimension	3 7/16" x 1 11/16" x 1 1/16" (LxWxH)			
	Pack Information	Net weight: 1/4lb±5%/PCS; 50PCS/ Carton; 12.7lb±5%/ Carton; Carton Size: 9 3/16"x8 3/4"x7 5/8"(LxWxH)			
	IP rating	IP20			
	Working temp.	-4°F-122°F			
	tc	194°F			
	Relative humidity	20-90% RH			
	Lifetime	50,000h@tc:158°F			
	Material	PC			
Switch cycle	>25,000 times				

Remark: Use only within an enclosure

MYSTIQUE

MINI PARABOLIC

SURFACE MOUNT DOWNLIGHT



DRIVER



PUP40A-1WMC-850 FOR 0-10V DIMMING

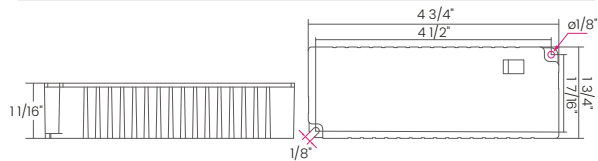
PUP40A-1WMC-850 is a constant current output mode LED driver. The output and dimming circuit are also completely in accordance with the new regulations with isolation to ensure the users and luminaire system during installation.



FEATURES

- Single channel output, output current level selectable by DIP S.W.
- Support 3-in-1 dimming mode: 0/1-10V active signal, adjustable resistance, PWM(A model)
- Input voltage of 100VAC~240VAC
- Dimming range: 0.1-100%, Dimming effect smooth, no flicker
- Protections: Short circuit, Over load, Over voltage
- Suitable for indoor LED lighting application

DIMENSIONS



TECHNICAL PARAMETERS

Input	Efficiency	>87%@230VAC, Full load			
	Frequency	50/60Hz			
	Voltage	100VAC~240VAC			
	PF	0.95@230VAC, Full load			
	THD(full load)	<10%@230VAC, Full load			
	Current	0.6Amax@100VAC			
	Inrush Current	Cold start,30A@230VAC			
	Standby Power	<1W			
Output	Current/Voltage/Power	500mA/9-48V/24W 550mA/9-48V/26.5W	600mA/9-48V/28.8W 650mA/9-48V/31.2W	700mA/9-48V/33.6W 750mA/9-48V/36W	800mA/9-48V/38.4W 850mA/9-47V/39.95W
	Channel	1			
	No load output voltage	60V Max			
	Frequency	1KHz Min PWM			
	Current Accuracy	±5%			
LF current ripple(<120Hz)	<3%				
Protection	Over Voltage	Hiccup, recovers after fault condition is removed			
	Over load	Hiccup, recovers after fault condition is removed			
	Short circuit	Close output, recovers automatically after fault removed			
Safety & EMC	Surge	L-N:1KV			
	Withstand Voltage	I/P-O/P: 3000VAC/1min/5mA; I/P-Gnd: 1500VAC/1min/5mA; O/P-Gnd: 500VAC/1min/5mA			
	Safety standards	UL8750/UL1310/CSA25013,CSA class P			
	EMI Eission	EN55015,EN61000-3-2 Class C,IEC61000-3-3			
Function	EMC Immunity	FCC class B(120V)/class A(277V)			
	Dimming type	0/1-10V(Type A)			
Others	Dimming range	0.1%-100% Dimming to off			
	Dimension	4 3/4" x 1 3/4" x 1 1/16" (LxWxH)			
	Pack Information	Net weight: 1/3lb±5%/PCS; 50PCS/Cartron; 18 3/10lb±5%/Cartron; Carton Size: 11 1/4"x9 7/16"x7 5/8"(LxWxH)			
	IP rating	IP20			
	Working temp.	-4°F-122°F			
	tc	194°F			
	Relative humidity	20-90% RH			
	Lifetime	50,000h@tc:185°F			
	Material	PC			
Switch cycle	>25,000 times				

Remark: Use only within an enclosure

MYSTIQUE

MINI PARABOLIC

SURFACE MOUNT DOWNLIGHT



DRIVER



PUP40D-1WMC-850 FOR DALI DIMMING

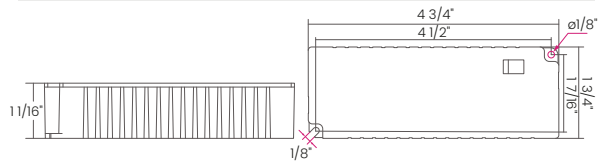
PUP40D-1WMC-850 is a constant current output mode LED driver. Support DALI dimming function, Touch DIM (Push DIM) function. The output and dimming circuit are also completely in accordance with the new regulations with isolation to ensure the users and luminaire system during installation.



FEATURES

- Single channel output, output current level selectable by DIP S.W.
- Support DALI dimming function, Touch DIM (Push DIM) function
- Input voltage of 120VAC ~ 277VAC
- Dimming range: 0.1-100%, Dimming effect smooth, no flicker
- Protections: Short circuit, Over load, Over voltage
- Suitable for indoor LED lighting application

DIMENSIONS



TECHNICAL PARAMATERS

Input	Efficiency	>87%@120VAC, Full load			
	Frequency	50/60Hz			
	Voltage	120VAC~277VAC			
	PF	≥0.99@120VAC, Full load			
	THD(full load)	<10%@120VAC, Full load			
	Current	0.6Amax@120VAC			
	Inrush Current	Cold start,30A@120VAC			
	Standby Power	<1W			
Output	Current/Voltage/Power	500mA/9-48V/24W 550mA/9-48V/26.5W	600mA/9-48V/28.8W 650mA/9-48V/31.2W	700mA/9-48V/33.6W 750mA/9-48V/36W	800mA/9-48V/38.4W 850mA/9-47V/39.95W
	Channel	1			
	No load output voltage	58V Max			
	Frequency	1KHz Min PWM			
	Current Accuracy	±5%			
	LF current ripple(<120Hz)	<3%			
Protection	Over Voltage	Hiccup, recovers after fault condition is removed			
	Over load	Hiccup, recovers after fault condition is removed			
	Short circuit	Close output, recovers automatically after fault removed			
Safety & EMC	Surge	L-N:1KV			
	Withstand Voltage	I/P-O/P: 3000VAC/1min/5mA			
	Safety standards	UL8750/UL1310/CSA25013,CSA class P			
	EMI Eission	EN55015,EN61000-3-2 Class C,IEC61000-3-3			
	EMC Immunity	FCC class B(120V)/class A(277V)			
Function	Dimming type	DALI/Touch DIM (Push DIM)			
	Dimming range	0.1%-100% Dimming to off			
Others	Dimension	4 3/4" x 1 3/4" x 1 1/16" (LxWxH)			
	Pack Information	Net weight: 1/2lb±5%/PCS; 50PCS/Carton; 25lb±5%/Carton; Carton Size: 11 1/4"x9 7/16"x7 5/8" (LxWxH)			
	IP rating	IP20			
	Working temp.	-4°F-122°F			
	tc	194°F			
	Relative humidity	20-90% RH			
	Lifetime	50,000h@tc:185°F			
	Material	PC			
Switch cycle	>25,000 times				

Remark: Use only within an enclosure

MYSTIQUE

MINI PARABOLIC

SURFACE MOUNT DOWNLIGHT



DRIVER



PUP40T-ILMC-850 FOR TRIAC/ELV DIMMING

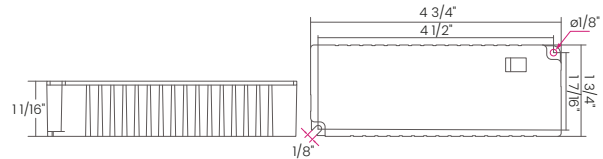
PUP40T-ILMC-850 is a constant current output mode LED driver. The output current can be easily set via DIP switch. The driver supports leading edge (Triac) and trailing edge (ELV) dimmer, achieve a smooth dimming effect.



FEATURES

- Single channel output, output current level selectable by DIP S.W.
- Support Leading edge (Triac) and Trailing edge (ELV) dimmer
- Built-in active PFC function
- TRIAC and ELV dimming at 120 Vac only
- Class II power supply. Full protective plastic housing
- Dimming effect smooth, flicker free
- Protections: Short circuit, over load, over voltage
- Suitable for indoor LED lighting application, such as down light, spotlights, panel light, and so on

DIMENSIONS



TECHNICAL PARAMETERS

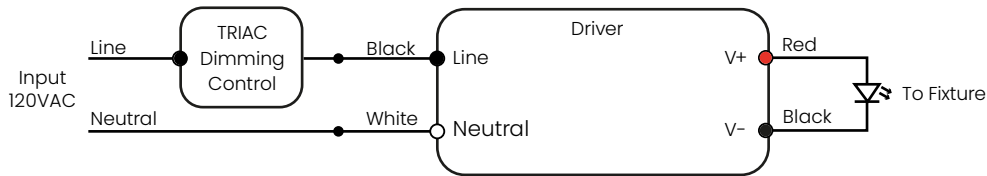
Input	Efficiency	>84%@120VAC, Full load			
	Frequency	50/60Hz			
	Voltage	120VAC-277VAC			
	PF	≥0.95@120VAC, Full load			
	THD(full load)	<10%@120VAC, Full load			
	Current	0.6Amax@120VAC			
	Inrush Current	Cold start, 30A@120VAC			
	Standby Power	<3.5W			
Output	Current/Voltage/Power	500mA/9-48V/24W 700mA/9-48V/33.6W	550mA/9-48V/26.4W 750mA/9-48V/36W	600mA/9-48V/28.8W 800mA/9-48V/38.4W	650mA/9-48V/31.2W 850mA/9-47V/39.95W
	Channel	1			
	No load output voltage	58V Max			
	Frequency	4KHz PWM			
	Current Accuracy	±5%			
	LF current ripple(<120Hz)	<3%			
Protection	Over Voltage	Close output, recovers automatically after fault removed			
	Over load	When the output voltage is exceeded, the output current decreases and, recovers automatically when the load is reduced.			
	Short circuit	Close output, recovers automatically after fault removed			
Safety & EMC	Surge	L-N:1KV			
	Withstand Voltage	I/P-O/P: 3000VAC/1min/5mA			
	Safety standards	UL8750/UL1310/CSA25013, CSA class P			
	EMI Eission	EN55015, EN61000-3-2 Class C, IEC61000-3-3			
	EMC Immunity	EN61000-4-2, 3, 4, 5, 6, 8, 11; EN61547			
Function	Dimming type	TRIAC/ELV			
	Dimming range	5%-100% Dimming to off			
Others	Dimension	4 3/4" x 1 3/4" x 1 1/16" (LxWxH)			
	Pack Information	Net weight: 1/3lb±5%/PCS; 50PCS/Carton; 18 1/3lb±5%/Carton; Carton Size: 11 1/4"x9 7/16"x7 5/8"(LxWxH)			
	IP rating	IP20			
	Working temp.	-4°F~122°F			
	tc	185°F			
	Storage Temp., Humidity	-40°F~185°F, 20-90%RH			
	Lifetime	50,000h@tc:185°F			
	Material	PC			
	Switch cycle	>25,000 times			
	Warranty Condition	5 years			

Remark: Use only within an enclosure

DIMMING WIRING DIAGRAM

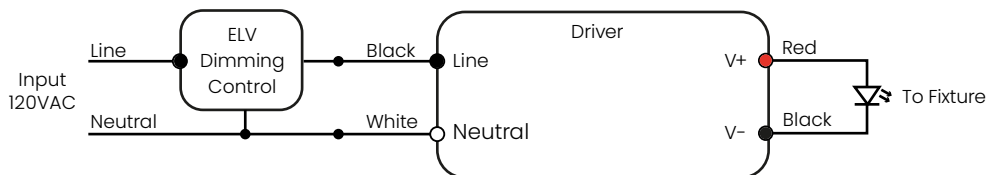
TRIAC / FORWARD PHASE / LEADING EDGE DIMMING (TRI)

Input 120VAC 50/60Hz. Range 3%-100%



ELV / REVERSE PHASE / TRAILING EDGE DIMMING (TRI)

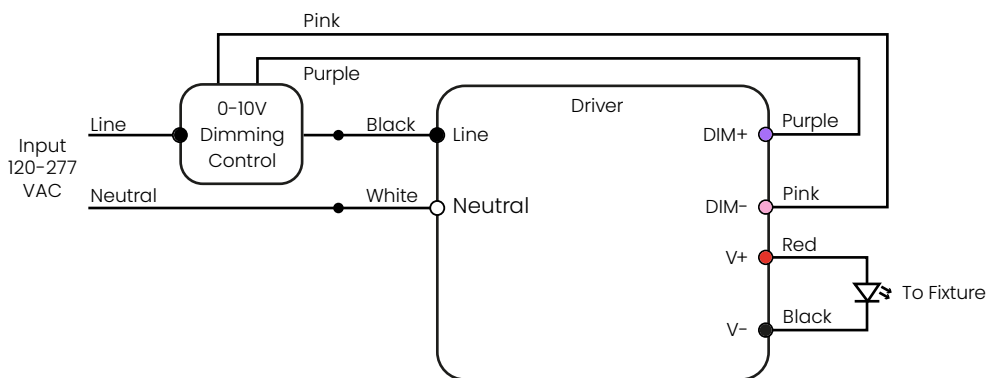
Input 120VAC 50/60Hz. Range 3%-100%



0-10V DIMMING (010)

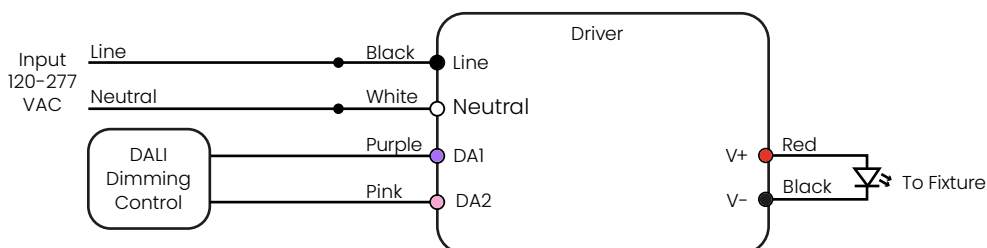
Input 120VAC-277VAC 50/60Hz. Range 0.1%-100% dim to off

NOTE: Cap off unused wires individually. DO NOT cap together.



DALI

Input 120VAC-277VAC 50/60Hz.



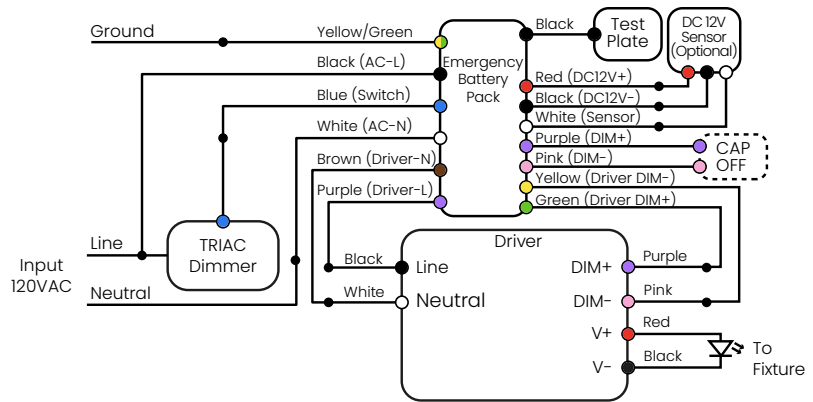
EMERGENCY BATTERY PACK WIRING DIAGRAM

TRIAC / FORWARD PHASE / LEADING EDGE DIMMING (TRI)

Input 120VAC 50/60Hz Range 3%-100%

NOTE: Cap off unused wires individually. DO NOT cap together.

EMERGENCY BATTERY ACCESS Above ceiling access is required for service. An access panel in the ceiling (or other form of access) adjacent to the installation location of the Emergency Battery is required.

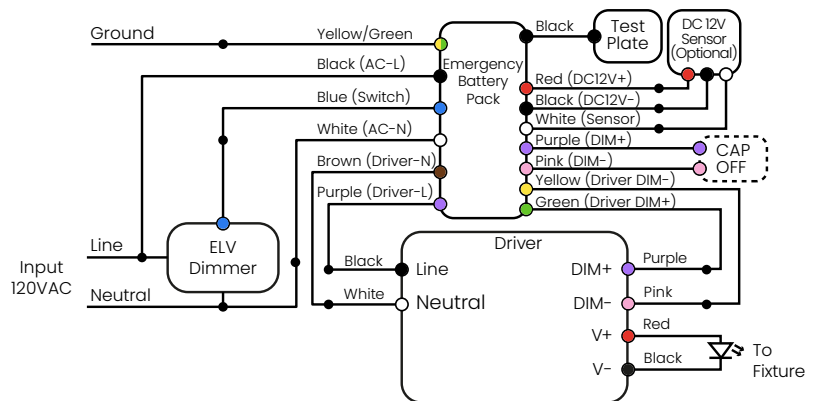


ELV / REVERSE PHASE / TRAILING EDGE DIMMING (TRI)

Input 120VAC 50/60Hz Range 3%-100%

NOTE: Cap off unused wires individually. DO NOT cap together.

EMERGENCY BATTERY ACCESS Above ceiling access is required for service. An access panel in the ceiling (or other form of access) adjacent to the installation location of the Emergency Battery is required.

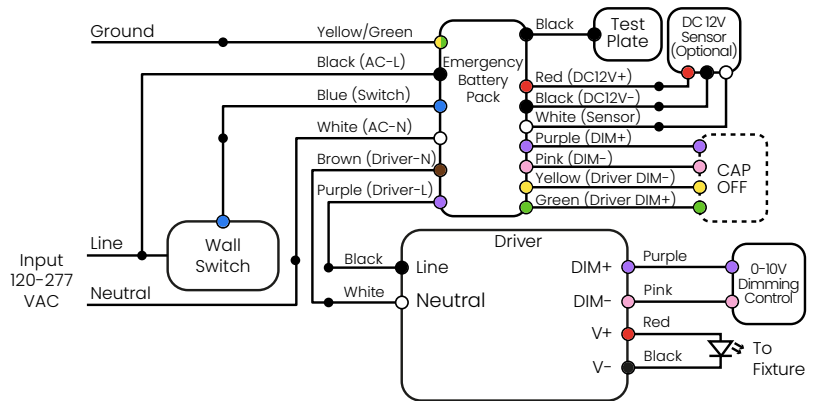


0-10V DIMMING (010)

Input 120VAC-277VAC 50/60Hz Range 0.1%-100% dim to off

NOTE: Cap off unused wires individually. DO NOT cap together. Wall Switch and 0-10V dimmer may be one unit or two separate units.

EMERGENCY BATTERY ACCESS Above ceiling access is required for service. An access panel in the ceiling (or other form of access) adjacent to the installation location of the Emergency Battery is required.



DALI

Input 120VAC-277VAC 50/60Hz.

