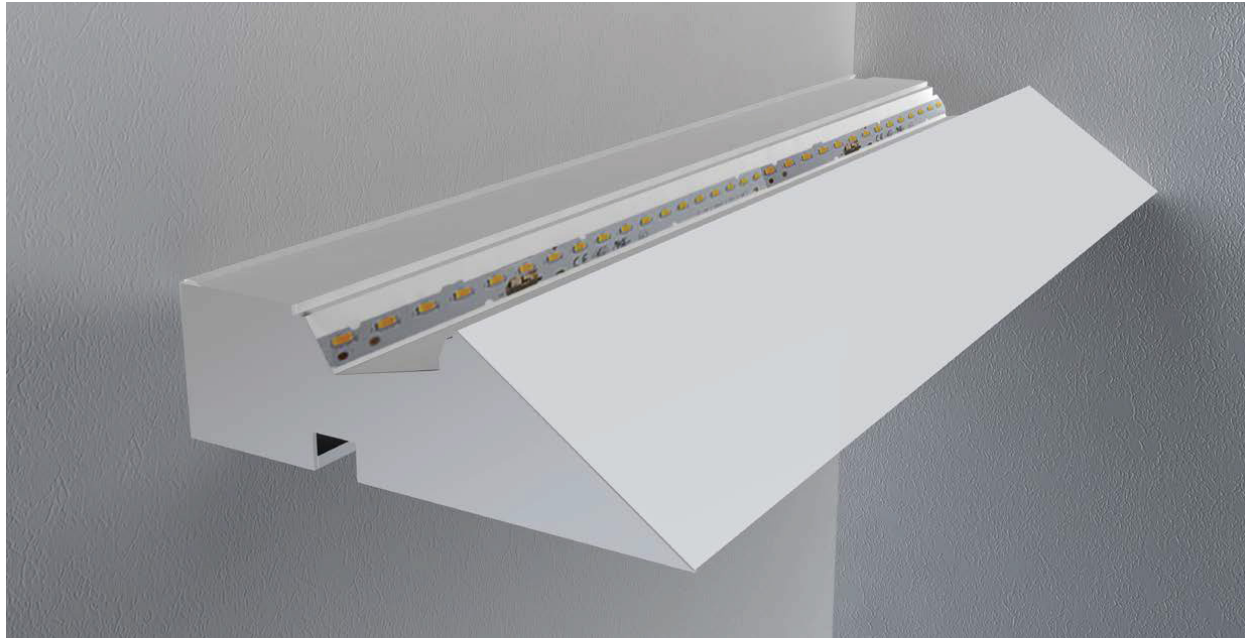


LCKD

INDIRECT COVE SYSTEM

DIRECT DOWNLIGHT COMPONENT KNIFE EDGE PRECISION



FEATURES

- Extruded aluminum housings create perfect custom coves of indirect light.
- Unique direct downlight component.
- Lengths and angles all pre-engineered before shipping for exact fits.
- Inside and outside corners are available.
- Easy-mount wall mounting bracket system.
- Clear dust guard covers LED gear tray.
- Nominal 7.5" depth to wall creates an architecturally pleasing cove.
- Extrusion bottom and front fascia ribbed for easy on-site plastering-in.
- Field paintable for color matching of walls.
- Cataloged standard or custom set lumens-per-foot performances.
- 80 CRI standard. 90 CRI available.
- Dimming down to 1% on 0-10V controls. Standard for indirect component, optional for direct component.
- Fixture lumens per watt ratios up to 143.
- American Made.

PERFORMANCE

Based on 4Ft. Module, 3500K, 80 CRI

Lumens per Foot (LF)	Delivered Lumens (4Ft)	System Watts (W)	Lumens per Watt (LPW)
500	2000	14.2	141
625	2500	17.5	143
800	3200	22.9	140
1100	4400	33.2	133
1400	5600	43.4	129

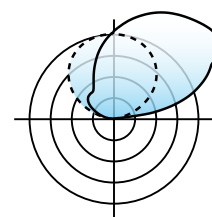
Actual performance may differ by +/- 5% when operating between 120V-277V +/- 10%. Consult Factory for 90 CRI performances.

Multiplier for other Color Temp (K)

3000K	98%
3500K	100%
4000K	104%
5000K	106%



Fixture type:	Job information:
<input type="text"/>	<input type="text"/>



Clear Lens



PRODUCT DEFINITION SHEET

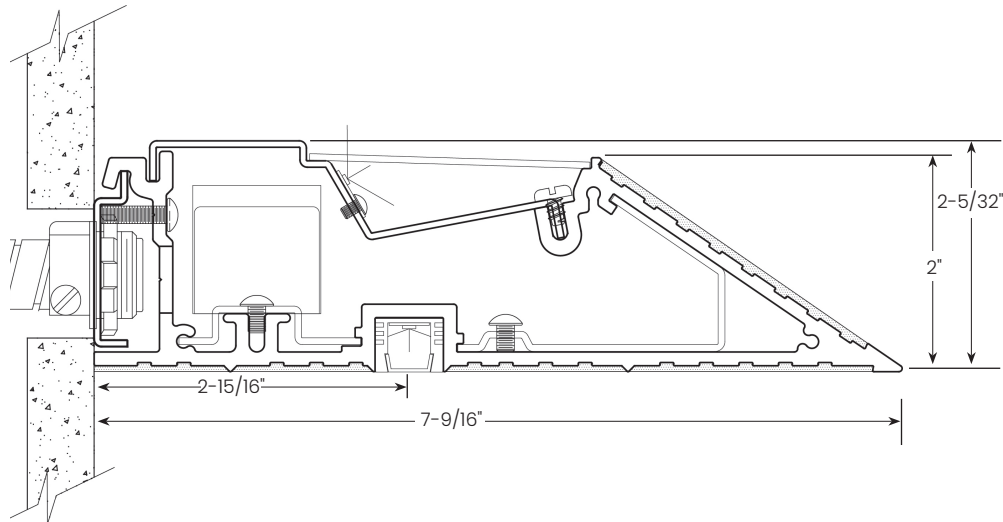
Ex: **LCKD-96-800-275-35K-1-DDM-U-SR**



1	2	3	4	5
SERIES	LENGTH	LUMENS/FT INDIRECT	LUMENS/FT DIRECT	COLOR TEMP-CCT
<input type="checkbox"/> LCKD LightCove Knife Edge Direct Component	<input type="checkbox"/> 48 48" Length <input type="checkbox"/> 96 96" Length Other or Custom Lengths. Consult factory.	<input type="checkbox"/> 500 <input type="checkbox"/> 625 <input type="checkbox"/> 800 <input type="checkbox"/> 1100 <input type="checkbox"/> 1400 Custom Lumen Packages.	<input type="checkbox"/> 275	80 CRI <input type="checkbox"/> 30K 3000K <input type="checkbox"/> 35K 3500K <input type="checkbox"/> 40K 4000K <input type="checkbox"/> 50K 5000K Upon request 90 CRI <input type="checkbox"/> 930K 3000K <input type="checkbox"/> 935K 3500K <input type="checkbox"/> 940K 4000K

6	7	8	9
DRIVER	DRIVER DIRECT	VOLTAGE	SENSOR READY
<input type="checkbox"/> 1 0-10V 1% Dimming <input type="checkbox"/> LDE1 Lutron Hi- Lume <input type="checkbox"/> - As Specified	<input type="checkbox"/> - Non-Dimming Driver (Default) <input type="checkbox"/> DDM Downlight Dimming Module (Optional) <input type="checkbox"/> - As Specified	<input type="checkbox"/> U Uni 120-277V <input type="checkbox"/> 1 120V <input type="checkbox"/> 7 277V Please verify at the time of release if 120V or 277V is required. Although drivers are universal voltage, a specific voltage is required to determine amp draw as well as voltage specific flexes and/or plug thrus as needed.	<input type="checkbox"/> SR Sensor Ready Required for Certain Controls, Contact Mercury Lighting

DIMENSIONAL DATA



HOUSINGS

Extruded aluminum profile in a 0.125-inch wall thickness. Maximum length of each linear component is 8-ft. 16GA steel ends are provided where needed at row termini. Inside and outside corners are available. A one-piece 16GA galvanized steel joiner/aligner bracket is provided for each joint between housings. Internal cold-rolled steel LED gear tray. Integral wall mounting bracket. Field paintable housing after on-sight plastering-in.

DIFFUSERS

Clear dust guard covers upper LED gear tray. LED Modules Indirect: High performance linear configured LED module boards. Each board consists of multiple mid-power, high efficacy LEDs in a precise layout eliminating the need for supplemental heat sinking. The boards produce an even and diffuse light which maximizes optical efficiency. Compatible with the dimming performance of the LED driver. Color temperatures available 80 CRI: 3000K, 3500K and 4000K. Upon request: 5000K. Color temperatures available 90 CRI: 3000K, 3500K and 4000K.

LED DRIVERS INDIRECT

Factory programmable constant current LED power supply. Multiple standard drive current outputs (factory set by Mercury) are cataloged with their corresponding lumens-per-foot offering. Upon request, custom drive current outputs and lumens-per-foot options are available. Note: Certain cataloged lumens-per-foot offerings may be provided with a non-programmable constant current LED power supply at Mercury's discretion. Contact factory if critical. Universal voltage input, 120V-277V, 50HZ-60HZ. Specification grade dimming down to 1% on 0-10V dimming controls. Sensor ready (SR) drivers compatible with most lighting controls are optional. Consult factory. Lutron driver available: LDE1 series.

LED MODULES DIRECT

Constant voltage LED tape strip. 24-Volt operation, 3-Watts per foot. 0-10V dimmable. Color temperatures available 90 CRI: 2700K, 3000K, 3500K and 4000K.

LED DRIVERS DIRECT

Universal voltage input, 120V-277V, 50HZ-60HZ. 24-VDC output. Non-programmable, no dimming function. Optional; dimming down to 1% on 0-10V controls with added dimming module.

STANDBY LIGHTING OPTIONS

Contact Factory.

INSTALLATIONS

All cove dimensions provided will be pre-engineered to deliver the proper housing lengths and angles for custom fits. Quick connect plug-thru wiring harnesses provided where needed. Designed to be wall mounted with unique mounting system.

CERTIFICATE OF SAFETY COMPLIANCE AND LISTINGS

Luminaire: UL and CUL listed 1598 and bears their label. Suitable for damp locations.

WARRANTY

5-year limited warranty is standard. Special 10-year warranty available on a job-to-job basis. Complete LED warranty terms available at www.mercltg.com. Actual performance may differ as a result of end-user environment and application. Most LED luminaires are suitable to operate in ambient temperatures from -20C (-4F) to 25C (77F). The following exclusions apply: Luminaires with standby lighting option, integral lighting controls options, or wireless control options. Consult factory. LM-79 testing was measured under a controlled 25C (77F) ambient operating temperature.