

IMPORTANT INSTALLATION NOTES:

- FIXTURE TO BE INSTALLED IN ACCORDANCE WITH ALL APPLICABLE CODES BY A QUALIFIED ELECTRICIAN OR OTHER PERSON FAMILIAR WITH THE CONSTRUCTION AND OPERATION OF THIS PRODUCT AND THE HAZARDS INVOLVED.
- INSTALL INDIVIDUAL OR START FIXTURE SECTIONS FIRST. ALL FIXTURES COME WITH FACTORY INSTALLED GRID BRACKET. TAKE CARE TO LEVEL THE FIXTURE AT THIS POINT, ESPECIALLY FOR CONTINUOUS RUNS.
- FOR CONTINUOUS RUNS, INSTAL EACH SUCCESSIVE SECTION USING THE JOINING AND ALIGNING HARDWARE PROVIDED WITH THE FIXTURES, AND LEVEL EACH SECTION WITH THE PREVIOUS ONE.
- ***DO NOT ATTEMPT TO BOLT FIXTURES TOGETHER AND RAISE THE ASSEMBLED RUN AT ONE TIME. THIS WILL DAMAGE THE INTERNAL BRACKETRY AND PREVENT THE FIXTURES FROM JOINING TIGHTLY, AND WILL VOID THE FIXTURE WARRANTY!*****
- FOLLOW THE SAME PROCEDURE ABOVE TO INSTALL THE END UNIT.
- RECHECK ALL FIXTURES FOR LEVEL AND INSURE ALL JOINTS ARE TIGHT.
- ALL FIXTURES COMES WITH FACTORY INSTALLED GRID BRACKETS.

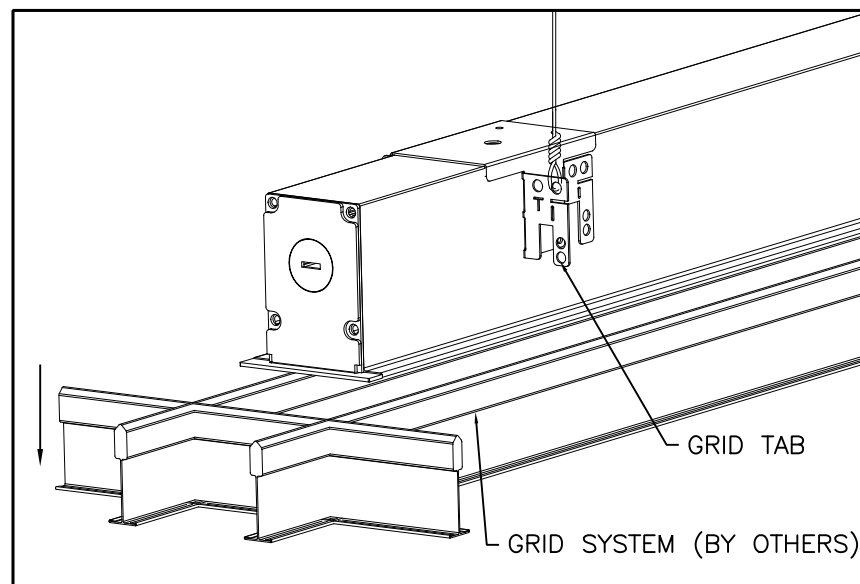
Project: **MLD2-GRID**
INSTALLATION INSTRUCTION



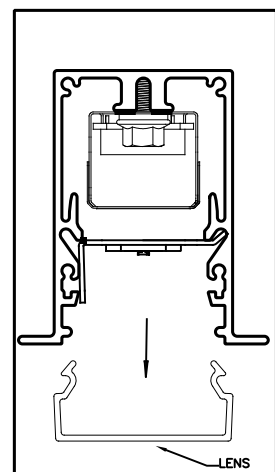
20 Audrey Place Fairfield, NJ 07004 U.S.A.

| | | |
|--------------|-------|------------|
| Distributor: | | Type: |
| By: | Date: | Scale: |
| Dwg. no.: | | Rev. Size: |

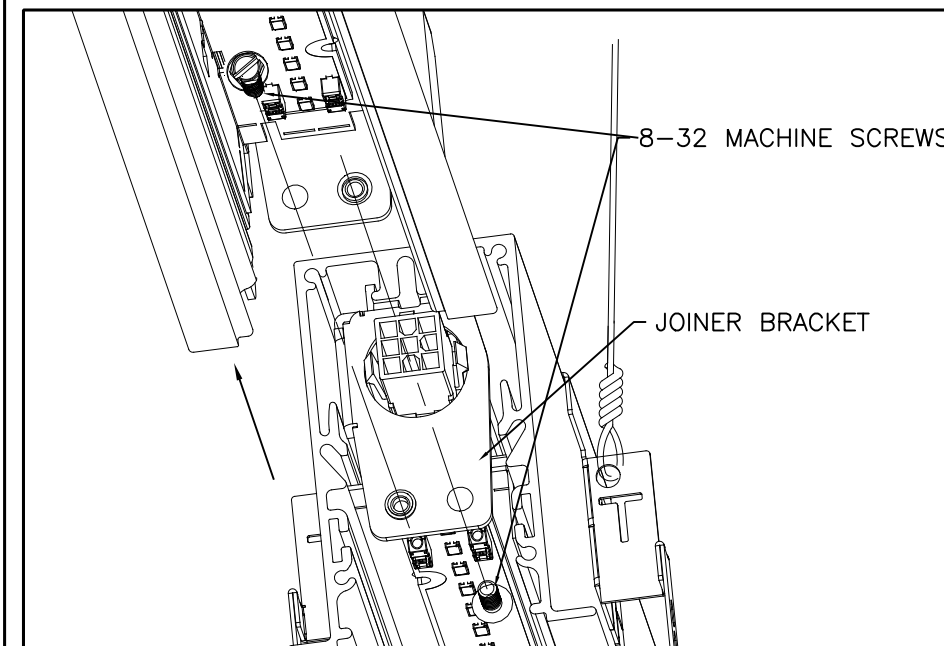
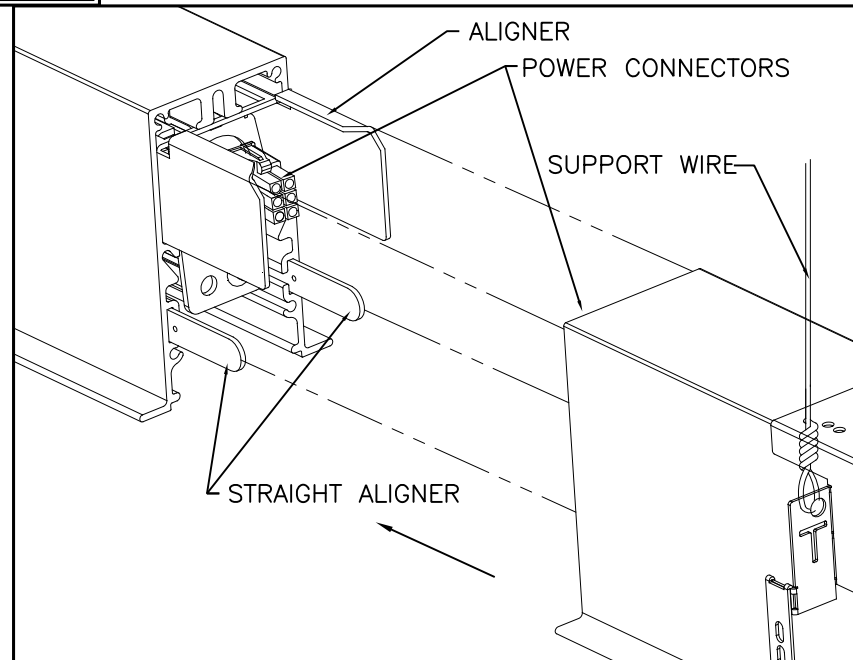
CATALOG NO:
MLD2-G-16-625-35K-HTA-AXX



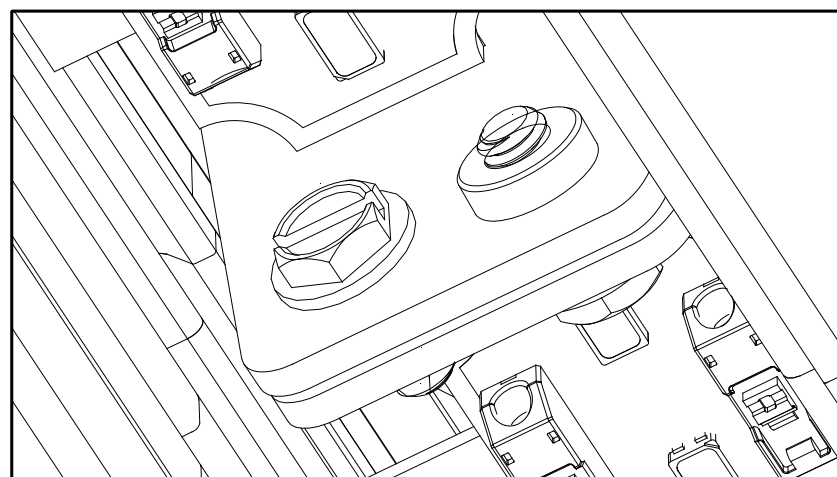
- STEP 1:
- SEE GRID OPTION DETAIL FOR CORRECT TAB TO OPEN.
 - BEND TABS AWAY FROM FIXTURE TO 90 DEGREES
 - PLACE FIXTURE INTO PREPARED GRID OPENING PER CUSTOMER DRAWING.
 - GO TO STEP 4 FOR 'INDIVIDUAL' MODULE.
 - FOR RUNS WITH 'MIDDLE' AND 'END' MODULES CONTINUE TO STEP 2



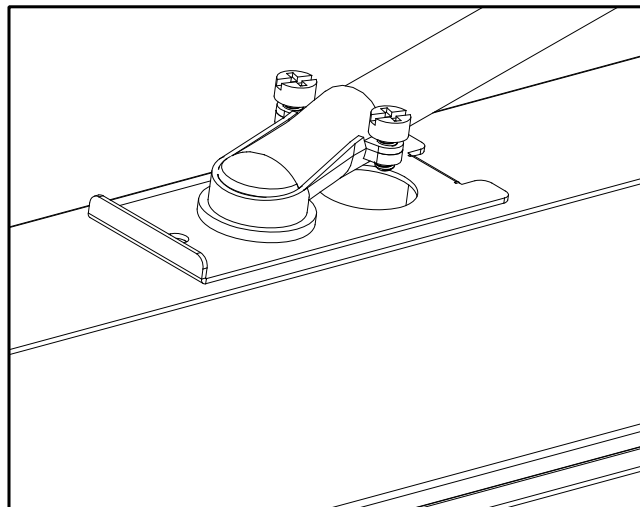
- STEP 2
- REMOVE LENS
 - MARK EACH LENS TO CORRESPONDING FIXTURE AND PUT ASIDE TO BE REINSTALLED IN STEP 5.
 - ALIGN FIXTURE USING ALIGNERS BY MERCURY
 - CONNECT POWER CONNECTOR BETWEEN FIXTURES
 - ATTACH SUPPORT WIRE TO FIXTURE AND SECURE TO STRUCTURE ABOVE USING SUPPLIED BRACKET AS SHOWN



- STEP 3
- PUSH EXCESS POWER CONNECTOR CABLES BACK INTO FIXTURE THROUGH JOINERS AS SHOWN FOR MLS-2 OR TO EITHER SIDE OF JOINER FOR MLS-3
 - SECURE FIXTURES TOGETHER USING 8-32 SCREWS ON JOINER (PROVIDED BY MERCURY).
 - REPEAT STEP 2 & 3 AS REQUIRED UNTIL 'END' MODULE IS INSTALLED

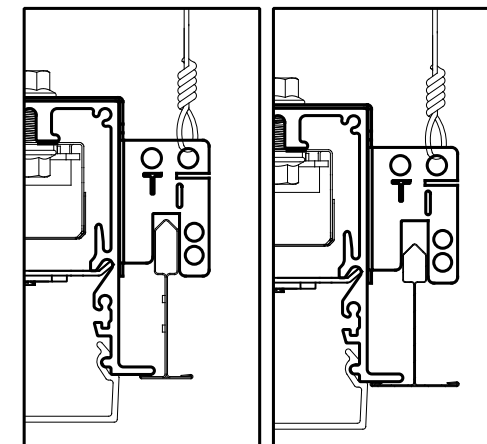


COMPLETE JOINT ASSEMBLY



- STEP 4
- MAKE ELECTRICAL CONNECTION TO BUILDING SUPPLY.

- STEP 5
- RE-INSTALL LENS REMOVED FROM STEP 2



9/16 T-GRID 15/16 T-GRID

UNFOLD TABS MARKS 'T'
GRID OPTIONS

This document contains confidential and proprietary information and cannot not be reproduced or divulged, in whole or part, without authorization in writing by Mercury Architectural Lighting.