

**IMPORTANT INSTALLATION NOTES:**

- FIXTURE TO BE INSTALLED IN ACCORDANCE WITH ALL APPLICABLE CODES BY A QUALIFIED ELECTRICIAN OR OTHER PERSON FAMILIAR WITH THE CONSTRUCTION AND OPERATION OF THIS PRODUCT AND THE HAZARDS INVOLVED.
- INSURE ALL HANGING POINTS ARE IN LINE WITH THE CENTERLINE OF THE FIXTURE RUN. IF THEY ARE NOT PROPERLY ALIGNED, THE RUN WILL NOT HANG STRAIGHT.
- HANG/MOUNT INDIVIDUAL OR START FIXTURE SECTIONS FIRST. THESE WILL HAVE (2) CABLE SUPPORTS / MOUNTING SLOTS FOR SURFACE MOUNT AND BE SELF SUPPORTING. TAKE CARE TO LEVEL THE FIXTURE AT HIS POINT, ESPECIALLY FOR CONTINUOUS RUNS.
- FOR CONTINUOUS RUNS, HANG/MOUNT EACH SUCCESSIVE SECTION USING (1) ADDITIONAL CABLE SUPPORT/MOUNTING SLOTS AND THE JOINING AND ALIGNING HARDWARE PROVIDED WITH THE FIXTURES, AND LEVEL EACH SECTION WITH THE PREVIOUS ONE.
- **\*\*\*DO NOT ATTEMPT TO BOLT FIXTURES TOGETHER AND RAISE THE ASSEMBLED RUN AT ONE TIME. THIS WILL DAMAGE THE INTERNAL BRACKETRY AND PREVENT THE FIXTURES FROM JOINING TIGHTLY, AND WILL VOID THE FIXTURE WARRANTY!\*\*\***
- FOLLOW THE SAME PROCEDURE ABOVE TO INSTALL THE END UNIT.
- RECHECK ALL FIXTURES FOR LEVEL AND INSURE ALL JOINTS ARE TIGHT.
- IF SMALL GAPS OCCUR BETWEEN FIXTURE SECTIONS, APPLY A SMALL AMOUNT OF CAULK BETWEEN SECTIONS AND WIPE OFF EXCESS WITH A DAMP CLOTH.

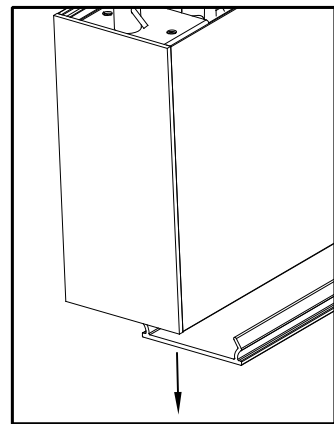
Project: **MLS2-M PENDANT**  
INSTALLATION INSTRUCTION

Distributor:		Type:	
By:	Date:	Scale:	
Dwg. no.:	Rev.:	Size:	

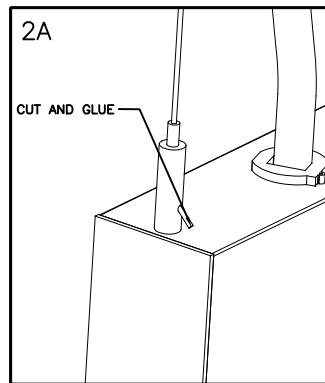
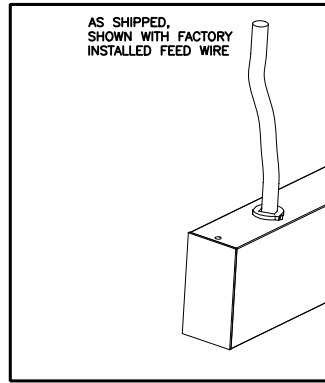


20 Audrey Place Fairfield, NJ 07004 U.S.A.

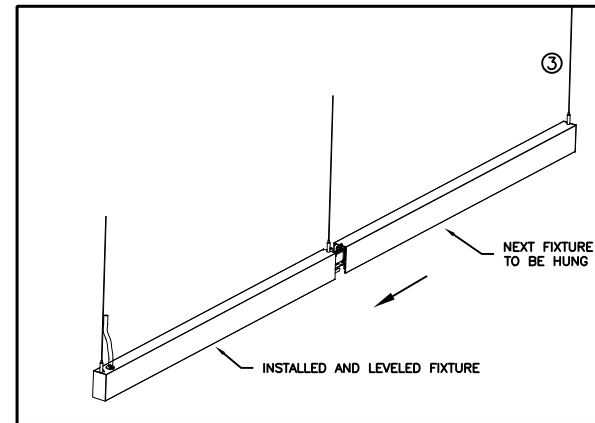
CATALOG NO:  
**MLS2G3-M-XX-825-35K-HTA-U**



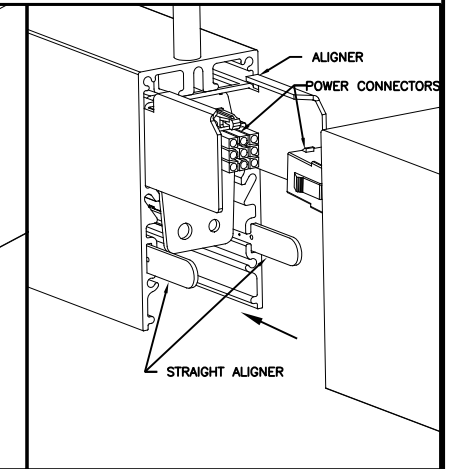
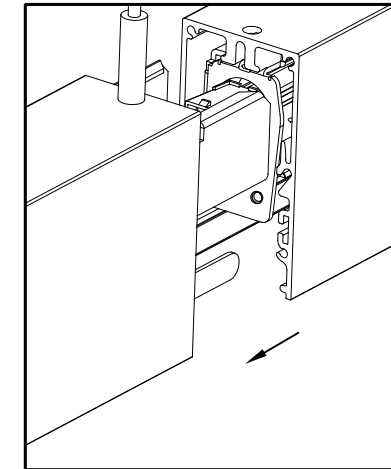
STEP 1:  
-LOCATE ELECTRICAL FEED POINT AND MOUNTING LOCATIONS FOR HANGING CABLES PER CUSTOMER DRAWING.  
-REFERENCE CUSTOMER DRAWING AND CANOPY OPTIONS  
-DROP CABLES DOWN FOR HANGING FIXTURES.  
-REMOVE LOWER LENS FROM EACH 'STARTER', 'MIDDLE' AND 'END' FIXTURE.  
-MARK EACH LENS TO CORRESPONDING FIXTURE AND PUT ASIDE TO BE REINSTALLED IN STEP 7.



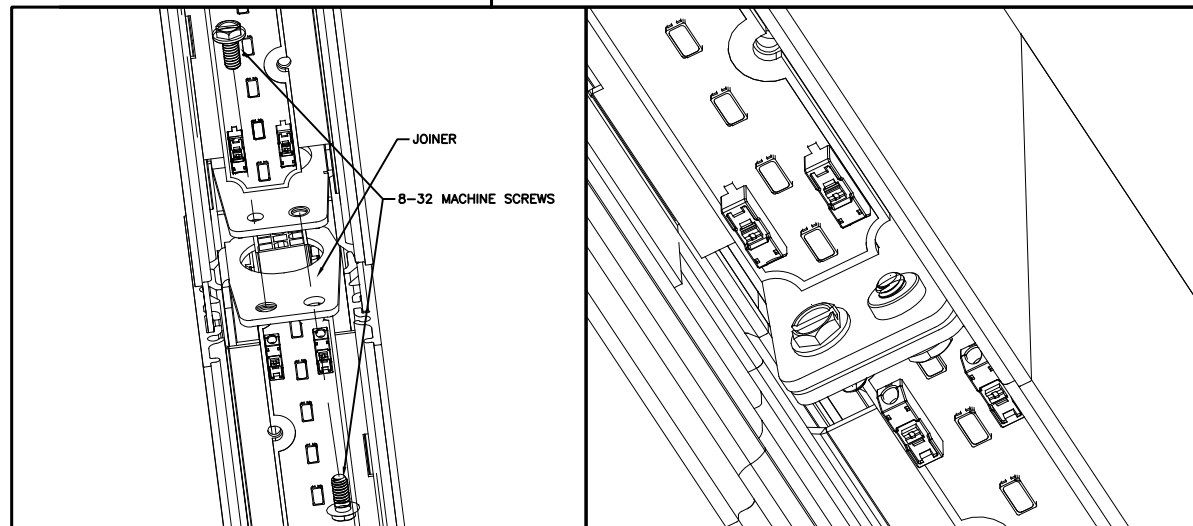
STEP 2:  
-START WITH INDIVIDUAL/STARTER MODULES BY INSERTING AIRCRAFT CABLES INTO CABLE GRIPPERS (2).  
-ADJUST CABLE UNTIL FIXTURE IS AT CUSTOMER'S SPECIFIED HEIGHT AND LEVEL.  
-FOR INDIVIDUAL MODULE, GO TO STEP 6.  
-FOR 'MIDDLE' AND 'END' MODULES, CONTINUE TO NEXT STEP.



STEP 3:  
-INSERT HANGING CABLE INTO CABLE GRIPPER (1) ON NEXT FIXTURE (MIDDLE OR END). SEE DETAIL 3

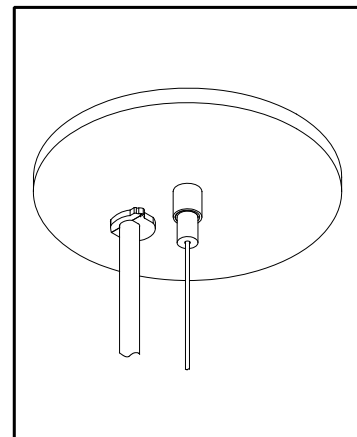


STEP 4:  
-ALIGN FIXTURE USING ALIGNERS BY MERCURY  
-CONNECT POWER CONNECTOR BETWEEN FIXTURES.



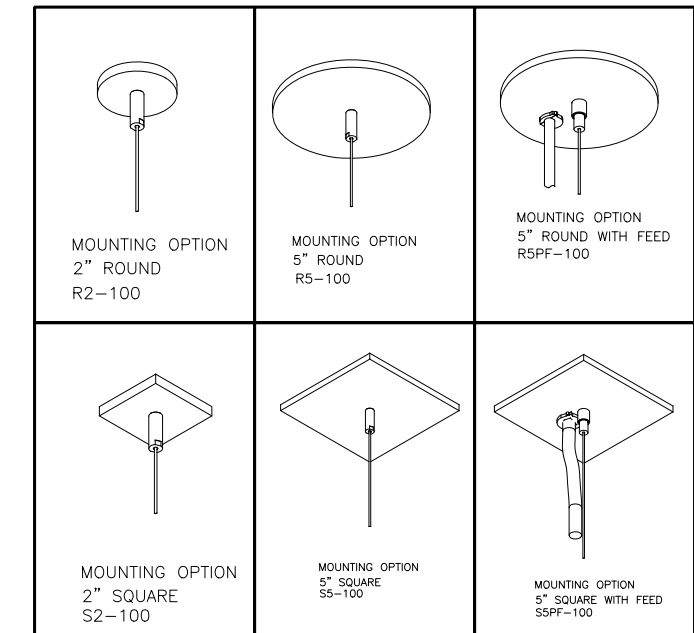
COMPLETE JOINT ASSEMBLY  
-ONCE FINAL LEVELING IS COMPLETED, CUT OFF EXCESS CABLE AND LEAVE 1/2" COMING OUT FROM CABLE GRIPPER AS SHOWN.(SEE DETAIL 2A ABOVE)  
-AIRCRAFT CABLE MANUFACTURER RECOMMENDS A DAB OF CRAZY GLUE ON CUT CABLE TO AVOID UNRAVELLING.(SEE DETAIL 2A ABOVE)

STEP 5  
-PUSH EXCESS POWER CONNECTOR CABLES BACK INTO FIXTURE THROUGH JOINERS AS SHOWN FOR MLS-2 OR TO EITHER SIDE OF JOINER FOR MLS-3  
-SECURE FIXTURES TOGETHER USING (2) 8-32 SCREWS THROUGH JOINER AS SHOWN ABOVE (PROVIDED BY MERCURY).  
-REPEAT STEP 4 & 5 AS NEEDED UNTIL 'END' MODULE IS INSTALLED.  
-CHECK THAT RUN IS STRAIGHT AND LEVEL AND ADJUST AS NECESSARY. ALL JOINTS SHOULD BE TIGHT TOP TO BOTTOM ON BOTH SIDES OF THE FIXTURE RUN.



STEP 6  
-MAKE ELECTRICAL CONNECTION TO BUILDING SUPPLY AT CEILING AND RAISE AND SECURE CANOPY.  
\*CAUTION- BUILDING POWER SHOULD BE OFF WHEN CONNECTION IS MADE TO FIXTURE.

STEP 7  
-REINSTALL LENSES IN SAME FIXTURES AS THEY WERE REMOVED FROM STEP 1.  
-ENERGIZE FIXTURES.



CANOPY OPTIONS

This document contains confidential and proprietary information and cannot be reproduced or divulged, in whole or part, without authorization in writing by Mercury Architectural Lighting.