

# LIGHTSTREAMS

MLD2-BW-M SERIES: BATWING LENS ⚡ LIGHTNING PROGRAM

UPDATED ON 11-15-24

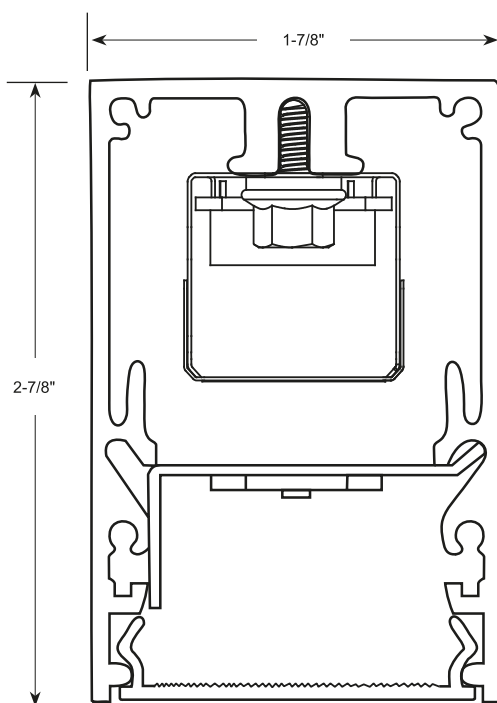
**SUSPENDED OR  
SURFACE MOUNT**

## Architectural Linear LED Illuminating System | LIGHTSTREAMS 2



### Features

- Extruded aluminum housing for perfectly straight lines of light.
- Narrow profile; 1-7/8-inch width.
- Linear lengths; 2-ft. and above in increments of one-inch.
- Custom formulated high efficiency extruded acrylic lens to produce a Batwing distribution.
- Non-glare matte-white polyester powder coat finish.
- Cable or stem mount from ceiling, or direct surface mount.
- 80 CRI standard. 90 CRI available.
- Cataloged standard or custom set lumens-per-foot performances.
- Continuous dimming capability down to 1% on 0-10V controls.
- Fixture lumens per watt ratios up to 119.
- Tunable white feature optional.
- Standard and custom corners
- American Made.
- Lightning Program eligible (ships in 15 days or less): See ordering data for options. ⚡



### Performance

Based on 4Ft. Module, 3500K, 80 CRI, Batwing Lens-Signify LV6 LED Boards

Lumens per Foot	Delivered Lumens (L)	System Watts (W)	Lumens per Watt (LPW)
400	1600	13.5	119
500	2000	16.9	118
625	2500	21.4	117
825	3300	28.8	115
1050	4200	37.8	111

Multiplier for other Color Temp (K)

3000K	97%
3500K	100%
4000K	102%
5000K	103%



Actual performance may differ by +/- 5% when operating between 120V-277V +/- 10%. Consult Factory for 90 CRI performances.

### Performance

Based on 4Ft. Module, 3500K, 80 CRI, Special Batwing Lens

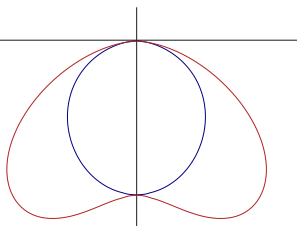
Lumens per Foot	Delivered Lumens (L)	System Watts (W)	Lumens per Watt (LPW)
400	1600	13.5	119
500	2000	16.9	118
625	2500	21.4	117
825	3300	28.8	115
1090	4360	39.4	111

Multiplier for other Color Temp (K)

3000K	97%
3500K	100%
4000K	102%
5000K	103%



Actual performance may differ by +/- 5% when operating between 120V-277V +/- 10%. Consult Factory for 90 CRI performances.



### BATWING LENS



Fixture Type:

Job information:

# MLD2-BW-M Series | LIGHTSTREAMS 2

Architectural Linear LED Illuminating System | Batwing Lens Suspended or Surface Mount

Ex: MLD2-BW-M-144-825-35K-1%-U-EM12

Options										
Series	Diffuser	Mounting	Module or Row Length	Lumens/Ft	Color Temp	Driver	Voltage	Standby Modules*	Lighting Controls	Custom Hanging Points
MLD2 LightStreams 2 LP-MLD2 Lightning Program	BW Batwing Distribution	M Suspended Cable Mount  M1 Surface Mount  M2 Suspended Stem Mount	48 48" Length 96 96" Length 144 144" Length  Custom or Row Length. 24" and above in 1" increments.  Ex. in inches: 82, 384, etc.	400 500 Signify LV6 625 825 1050  400 500 Special Lens 625 825 1090  Custom Lumen Package. Contact Factory	30K 35K 40K 50K Upon Request  TW 27K-65K  927K 930K 935K 940K	1% 0-10% Dimming  1% DD 0-10% Dimming Dim to Dark  SR Sensor Ready (Required for Certain Controls, Contact Factory)  eL eldoLED Solo 0.1%  LDE1 Lutron Hi-Lume  As Specified	U Uni 120V-277V  1 120V 7 277V  X As Specified	EM7 EM10 EM12  No Option	S1 Philips EasySense (SNS 210- Blue Tooth)  S11 Enlighted Micro (SU5ECL)  S12 Lutron Athena Node (Color-White)  S13 Lutron Athena Node (Color-Black)  S14 Lutron Athena Sensor (Color-White)  S15 Lutron Athena Sensor (Color-Black)  017 Leviton PIR ZLS05-ILW	As Specified  Misc.  WL UL "Suitable for Wet Locations" labeled..

 All options highlighted in BLUE are eligible for [Lightning Program](#) (same quality product, shipped in 15 days or less)

\*Available in modules of 4-ft. and longer.

## Housings

Extruded aluminum profile in a 0.080-inch wall thickness.

Maximum length of each linear component is 12-ft.

.060 aluminum ends are provided where needed at row termini.

A one-piece 14GA galvanized steel joiner/aligner bracket is provided for each joint between housings.

Internal cold-rolled steel components.

Standard or custom hanging points are provided.

A custom formulated non-glare matte-white polyester powder coating provides an extremely durable and long lasting finish.

Custom color finishes on request.

## Diffusers

Seamless fit diffusers. Flawless and consistent end-to-end fit.

Extruded from custom formulated acrylic material.

Micro-optic technologies.

Direct Batwing distribution.

Allows maximum light transmission while eliminating pixilation and hot spots.

Smooth finish compliments the architectural elements.

## LED Modules

High performance linear configured LED module boards.

Each board consists of multiple mid-power, high efficacy LEDs in a precise layout eliminating the need for supplemental heat sinking.

The boards produce an even and diffuse light which maximizes optical efficiency.

Compatible with the dimming performance of the LED driver.

Color temperatures available 80 CRI: 3000K, 3500K and 4000K. Upon request: 5000K.

Color temperatures available 90 CRI: 2700K, 3000K, 3500K and 4000K.

## Tunable White Option

Field tunable range 2700K through 6500K.

80CRI.

## LED Drivers

Factory programmable constant current LED power supply.

Multiple standard drive current outputs (factory set by Mercury) are cataloged with their corresponding lumens-per-foot offering. Upon request, custom drive current outputs and lumens-per-foot options are available.

Note: Certain cataloged lumens-per-foot offerings may be provided with a non-programmable constant current LED power supply at Mercury's discretion. Contact factory if critical.

Universal voltage input, 120V-277V, 50HZ-60HZ.

Continuous dimming capability down to 1%-standard.

0.1% available upon request.

Dim to Dark option available upon request.

Sensor ready (SR) drivers compatible with most lighting controls are optional. Consult factory.

Lutron driver available: LDE1 series.

## Standby Lighting Options

Self contained module, 7W, 10W or 12W as specified.

Battery backup upon loss of power. Available in modules of 4-ft. and longer.

## Corners

Standard 90 degree corners.

Custom angled corners available.

## Installations

Designed to be suspended on cables. Specify M

For direct surface mounting to most ceiling types, specify M1 and consult factory.

For stem mounting specify M2 and consult factory.

Lengths of 12-ft. and less to use one housing with two ends pre-installed.

Lengths over 12-ft. will be engineered to job requirements using multiple housings with one end pre-installed at each row end.

Lengths over 12-ft. will include appropriate job required quick-connect plug-thru wire harnesses and housing joiners.

All individual modules or multiple module runs to include job required feed wire as specified.

Standard or custom hanging points will be provided per job specifications.

## Certificate of Safety Compliance and Listings

Luminaire: UL and CUL listed 1598 and bears their label. Suitable for damp locations.

Optional: Suitable for wet locations marking is available. Some limitations apply. Contact factory for all details.

## Lightning Program

Same quality product, shipped in 15 days or less (if drawings are required, 15 days or less starts after drawings are released).

Entire order must qualify for [Lightning Program](#) in order to meet freight charges. Please contact our sales team if unsure your order will qualify.

Options highlighted in Blue, 500 linear feet or less, are eligible for quick ship [Lightning Program](#).

Relates to straight runs ONLY.

Other variations not highlighted in blue may be available under [Lightning Program](#). Please consult factory.

Specify LP-MLD2 when placing order if you would like to use [Lightning Program](#).

## Warranty

5-year limited warranty is standard. Special 10-year warranty available on a job-to-job basis. Complete LED warranty terms available at [www.merclgt.com](http://www.merclgt.com).

Actual performance may differ as a result of end-user environment and application.

Most LED luminaires are suitable to operate in ambient temperatures from -20C (-4F) to 25C (77F).

The following exclusions apply: Luminaires with standby lighting option, integral lighting controls options, or wireless control options. Consult factory.

LM-79 testing was measured under a controlled 25C (77F) ambient operating temperature.



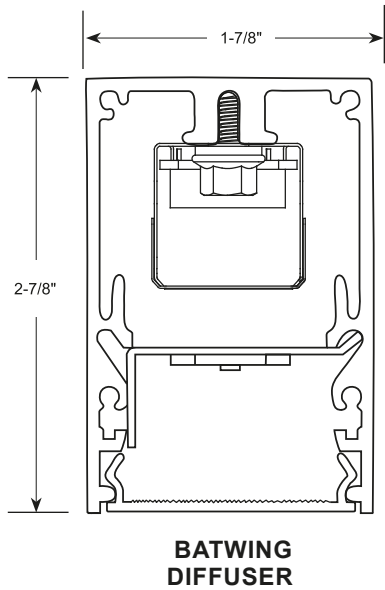
Mercury Lighting Products Co, Inc. | 20 Audrey Place STE 2 | Fairfield, NJ 07004-3416 | Tel: 800.637.2584 | Fax: 973.244.9522 | merclgt.com

Specifications subject to change, consult factory when critical.

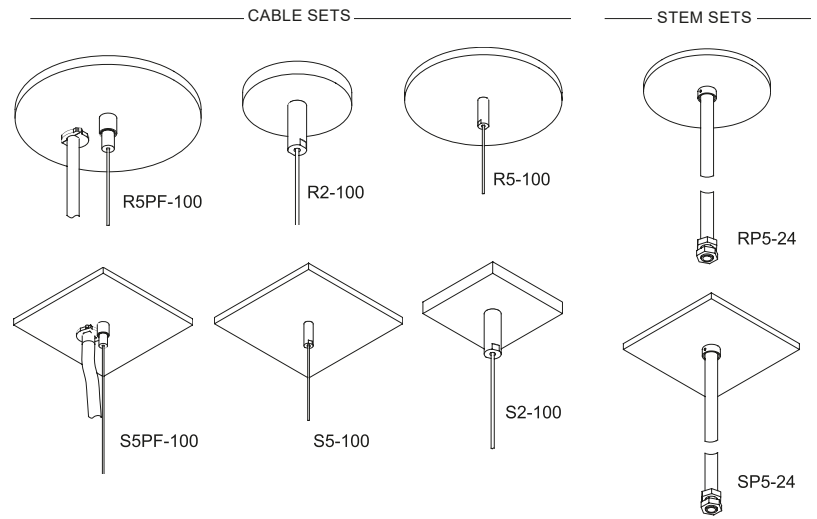
# MLD2-B-M Series | LIGHTSTREAMS 2

Architectural Linear LED Illuminating System | Batwing Lens Suspended or Surface Mount

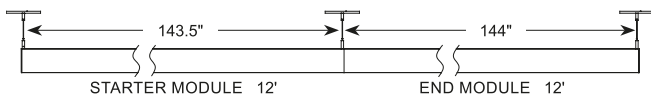
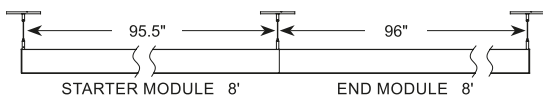
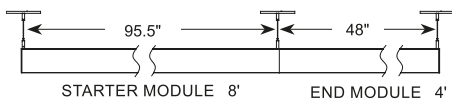
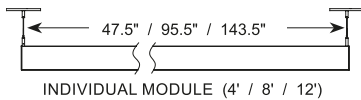
## Dimensional Data



## Hanging Accessories



## Mounting Information



Consult factory for additional row length information

Part #	Description
R5PF-100	Round 5" power feed canopy, Hanging hardware, 100" long 1/16" cable.
R5-100	Round 5" canopy, Hanging hardware, 100" long 1/16" cable.
R2-100	Round 2" canopy, Hanging hardware, 100" long 1/16" cable.
S5PF-100	Square 5" power feed canopy, Hanging hardware, 100" long 1/16" cable.
S5-100	Square 5" canopy, Hanging hardware, 100" long 1/16" cable.
S2-100	Square 2" canopy, Hanging hardware, 100" long 1/16" cable.
RP5-24	Round 5" canopy, Hanging hardware, 24" long 1/2" dia. stem.
SP5-24	Square 5" canopy, Hanging hardware, 24" long 1/2" dia. stem.

Other cable and stem lengths available. Consult factory.

